

SEPTEMBER '96

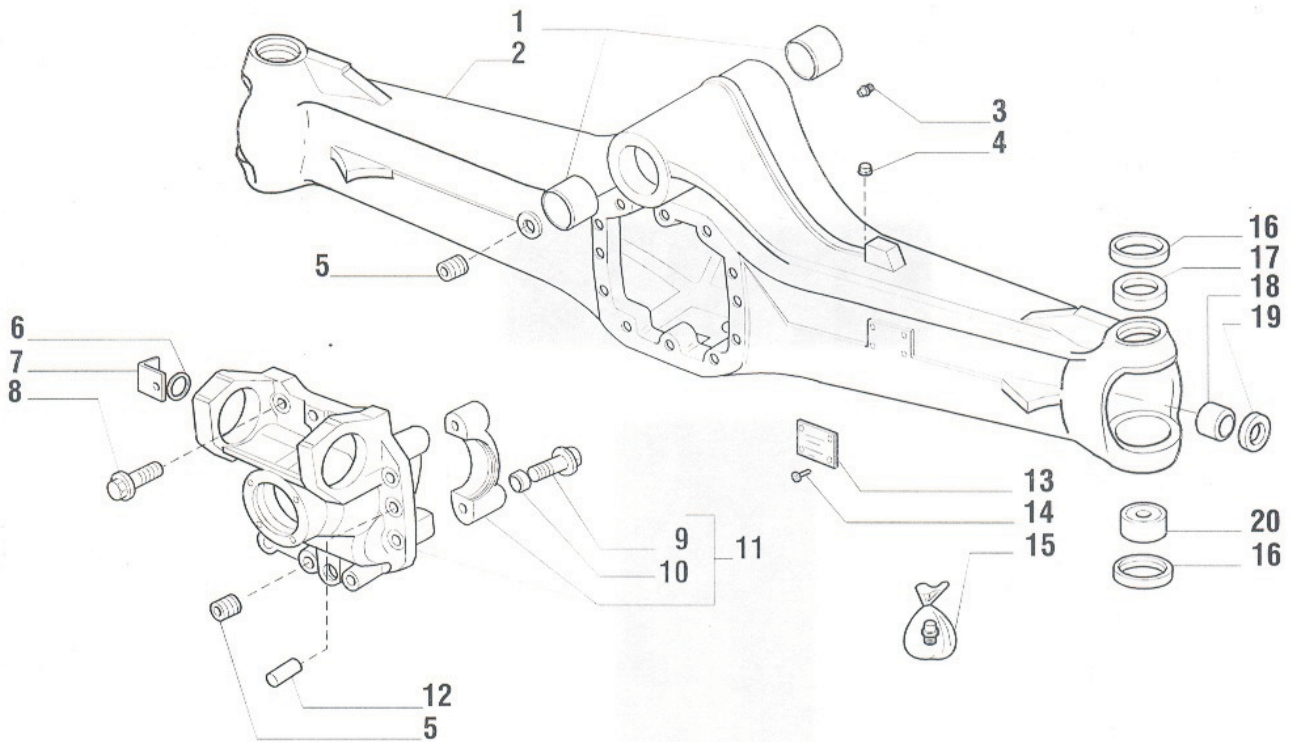
709 CARRARO AXLES REF. 122634-122146
For "CASE" IH P100
Spare Parts List

709 CARRARO AXLES REF. 122634-122146
_____ for "CASE" IH P100

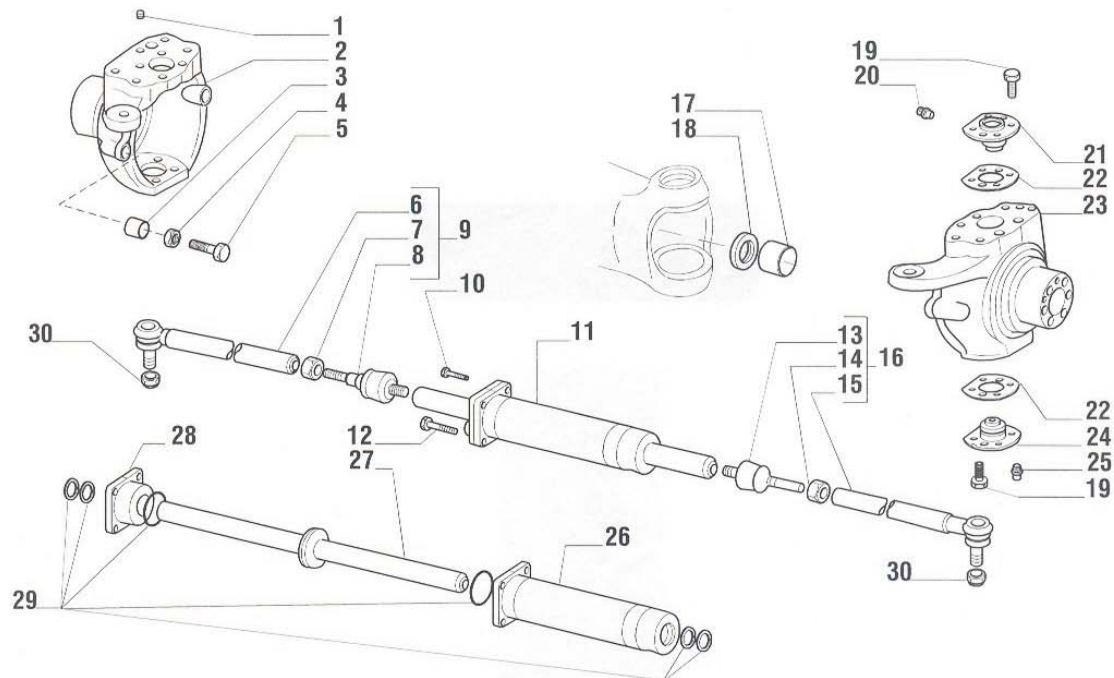
SPARE PARTS LIST

INDEX OF PAGES

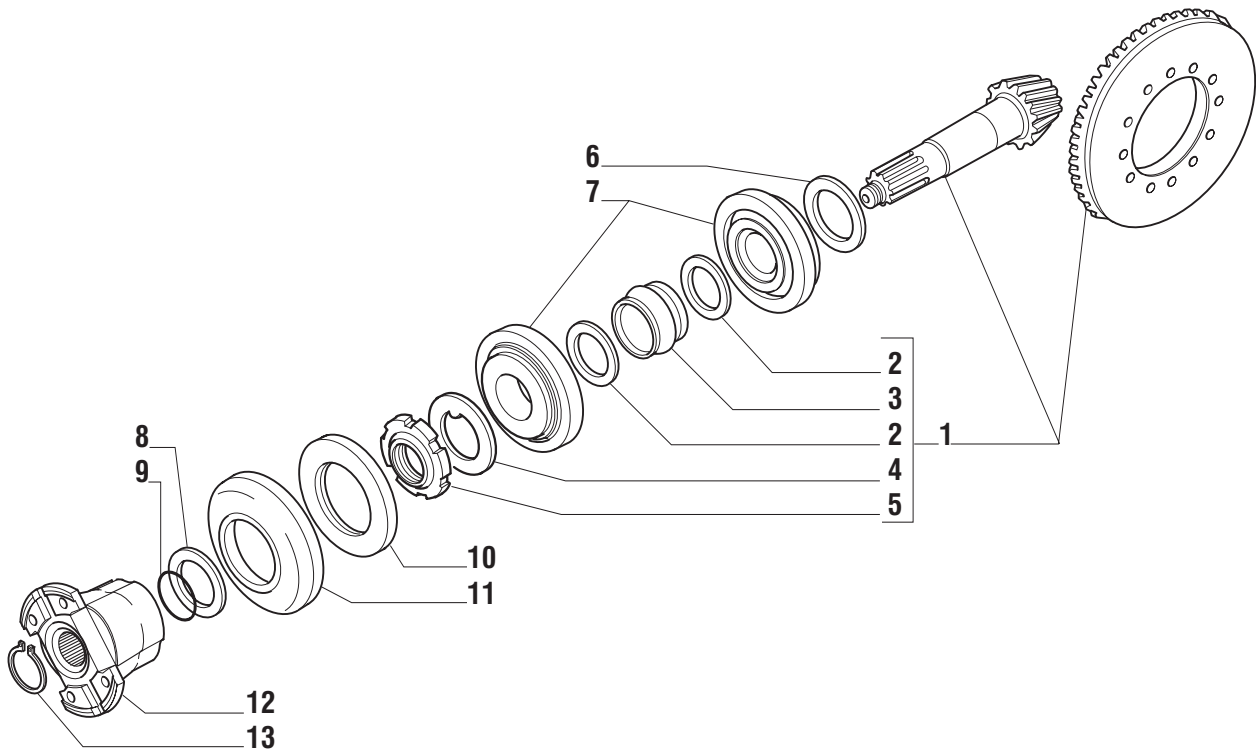
- 1.0 Axle Housing
- 2.0 Swivel housing and steering cylinder
- 3.1 Bevel Gear / Pinion set
- 4.0 Differential (for axle ref. 122634)
- 5.0 Differential (for axle ref. 122146)
- 6.0 Drive shaft
- 7.1 Wheel hub and epyclic reduction gears



Pos.	Ref.	Q.	Description	Pos.	Ref.	Q.	Description
1	123207	2	Bush				
2	122945	1	Axle housing				
3	024261	1	Grease nipple				
4	021558	1	Plug				
5	092270	2	Plug				
6	023113	1	Washer				
7	124489	1	Plate				
8	125827	10	Screw				
9	126022	4	Screw				
10	072235	4	Bush				
11	125916	1	Differential support assy				
12	087660	2	Pin				
13	123147	1	Plate				
14	023827	4	Rivet				
15	104988	1	Breather				
16	115715	4	Seal				
17	123641	2	Bush				
18	116962	2	Bush				
19	118675	2	Oil seal				
20	123726	2	Spherical bearing				

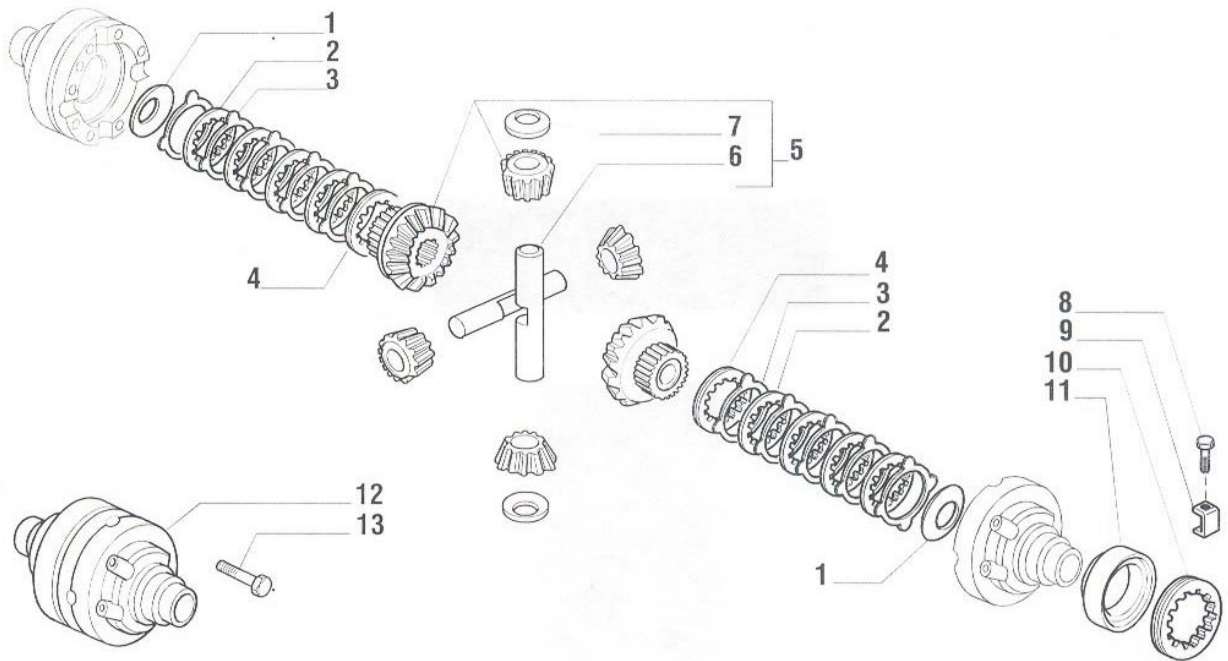


Pos.	Ref.	Q.	Description	Pos.	Ref.	Q.	Description
1	030755	8	Oil plug	26	049116	1	Cylinder
2	122983	1	Swivel housing L.H.	27	049115	1	Rod
3	122578	2	Bush	28	049108	1	Cylinder head
4	122577	2	Nut	29	049109	1	Oil seal kit
5	122576	2	Screw M14x75	30	022431	2	Nut M20x1,5
6	048986	1	Ball joint (L.H. Thread)				
7	342619	1	Nut M24x1,5				
8	049008	1	Ball joint (L.H. Thread)				
9	122600	1	Steering arm Assy (L.H. threaded)				
10	128534	3	Screw				
11	128613	1	Steering cylinder				
12	131006	1	Bolt (self lock,)				
13	049013	1	Ball joint (R.H. thread)				
14	070787	1	Nut M24x1,5				
15	048987	1	Ball joint (R.H. thread)				
16	122599	1	Steering arm Assy (R.H. threaded)				
17	109972	2	Bush				
18	116722	2	Oil seal				
19	126922	12	Bolt				
20	024210	2	Greaser nipple				
21	125149	2	King pin				
22	115733	-	Shim Th= 0,10 mm				
22	115734	-	Shim Th= 0,19 mm				
22	115735	-	Shim Th= 0,35 mm				
23	122982	1	Swivel housing R.H.				
24	118526	2	King pin				
25	024211	2	Greaser nipple				

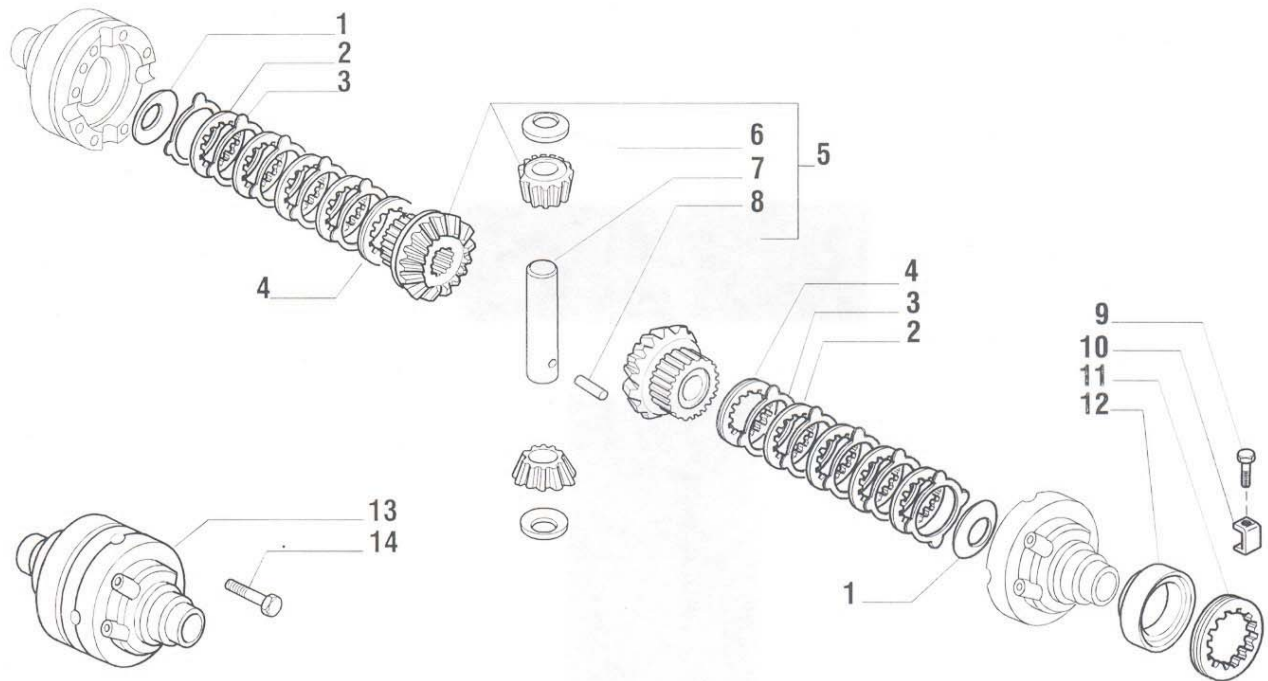


MOD. N. 6207-6303

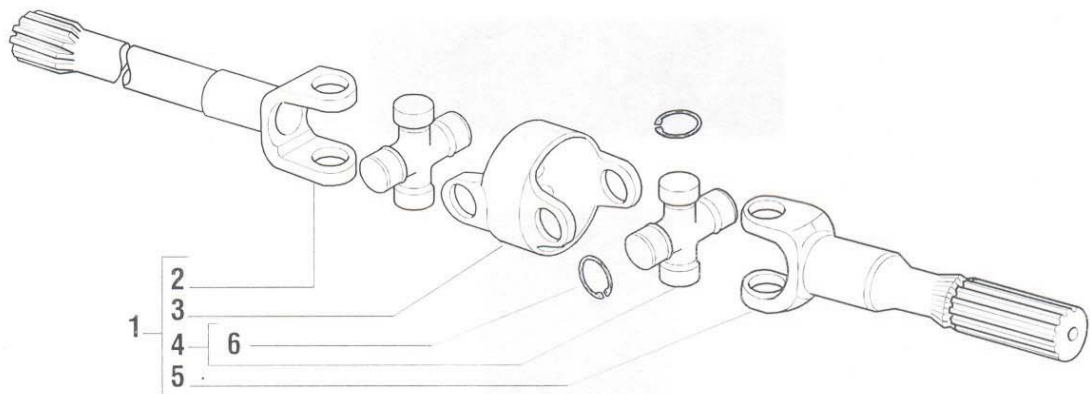
Pos.	Ref.	Q.ty	Description	Pos.	Ref.	Q.ty	Description
1	065630	1	Bevel gear / pinion set Z=11/32				
2	125829	2	Washer 50x40.5x2				
3	125806	1	Collapsible spacer				
4	113717	1	Washer				
5	115054	1	Ring nut M40x1.5				
6	132265	-	Shim 2.50mm				
6	132266	-	Shim 2.60mm				
6	132267	-	Shim 2.70mm				
6	132268	-	Shim 2.80mm				
6	132269	-	Shim 2.90mm				
6	132270	-	Shim 3.00mm				
6	132271	-	Shim 3.10mm				
6	132272	-	Shim 3.20mm				
6	132273	-	Shim 3.30mm				
6	132274	-	Shim 3.40mm				
7	027350	2	Bearing				
8	123402	1	Washer				
9	028532	1	O.ring				
10	119990	1	Oil seal 65x92x14				
11	123767	1	Cover				
12	123695	1	Flange				
13	024789	1	Snap ring D.34				



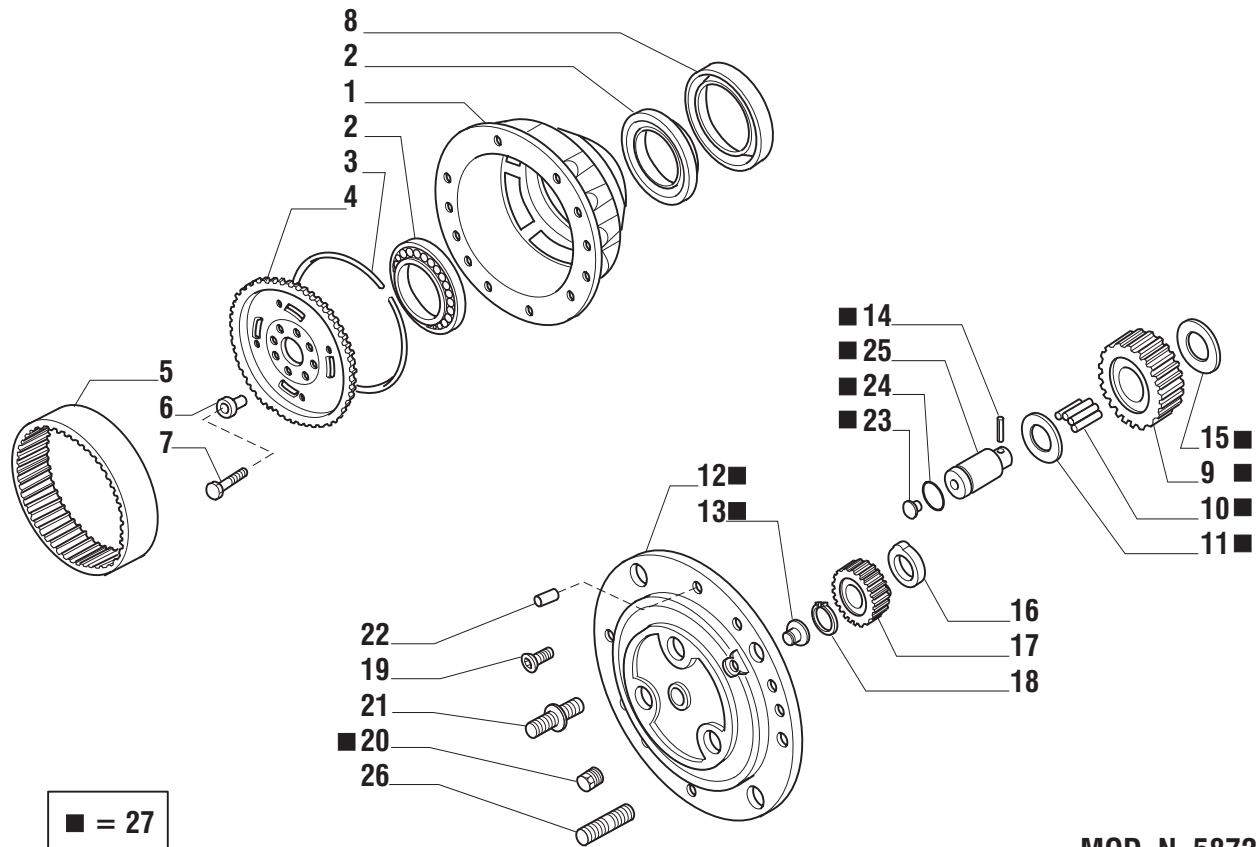
Pos.	Ref.	Q.	Description	Pos.	Ref.	Q.	Description
1	125814	2	Belleville washer				
2	110643	10	Plate				
3	110644	8	Plate				
4	110642	2	Plate				
5	066145	1	Differential kit				
6	116369	2	Shaft				
7	115730	2	Washer				
8	128440	2	Bolt M6x1x10				
9	107778	2	Plate				
10	107400	2	Ring nut				
11	027309	2	Bearing				
12	127711	1	Housing				
13	125552	12	Bolt M10x75				



Pos.	Ref.	Q.	Description	Pos.	Ref.	Q.	Description
1	125814	2	Belleville washer				
2	110643	10	Plate				
3	110644	8	Plate				
4	110642	2	Plate				
5	066146	1	Differential kit				
6	115730	2	Washer				
7	115731	1	Shaft				
8	116451	1	Pin				
9	128440	2	Bolt M6x1x10				
10	107778	2	Plate				
11	107400	2	Ring nut				
12	027309	2	Bearing				
13	127711	1	Housing				
14	125552	12	Bolt				



Pos.	Ref.	Q.	Description	Pos.	Ref.	Q.	Description
1	122589	2	Drive shaft				
2	040844	2	Half shaft (wheel side)				
3	040826	2	Central body				
4	040825	4	Spider				
5	040843	2	Half shaft (Diff. side)				
6	040822	16	Lock ring				



MOD. N. 5872

Pos.	Ref.	Q.ty	Description	Pos.	Ref.	Q.ty	Description
1	118376	2	Wheel hub				
2	118370	4	Bearing				
3	125555	2	Ring				
4	125550	2	Wheel carrier				
5	125549	2	Crown gear Z=75				
6	125189	2	Centering bush D.24 mm				
6	125190	10	Centering bush D.20 mm				
7	119906	12	Bolt M14x1.5x65 (Autobl.)				
8	126390	2	Cassette seal 150x176x16				
9	120836	6	Planetary gear Z=29				
10	028294	18	Needle bearing (by tens)				
11	115634	6	Washer 55x34.6x1.5				
12	124978	2	Planetary carrier				
13	115682	2	Thrust pin				
14	129218	6	Pin D.4x38				
15	120838	6	Thrust washer 55x23x1.5				
16	127592	2	Spacer				
17	115643	2	Sun gear Z=15				
18	024784	2	Lockring D.29				
19	020510	4	Screw M12x30				
20	092270	2	Plug M22x1.5				
21	126709	4	Stud (with collar)				
22	115640	4	Pin D.18x36				
23	030059	6	Plug M8x13				
24	028189	6	O.ring				
25	120835	6	Shaft				
26	126710	12	Stud				
27	065642	2	Planetary carrier assy				