

JULY '97

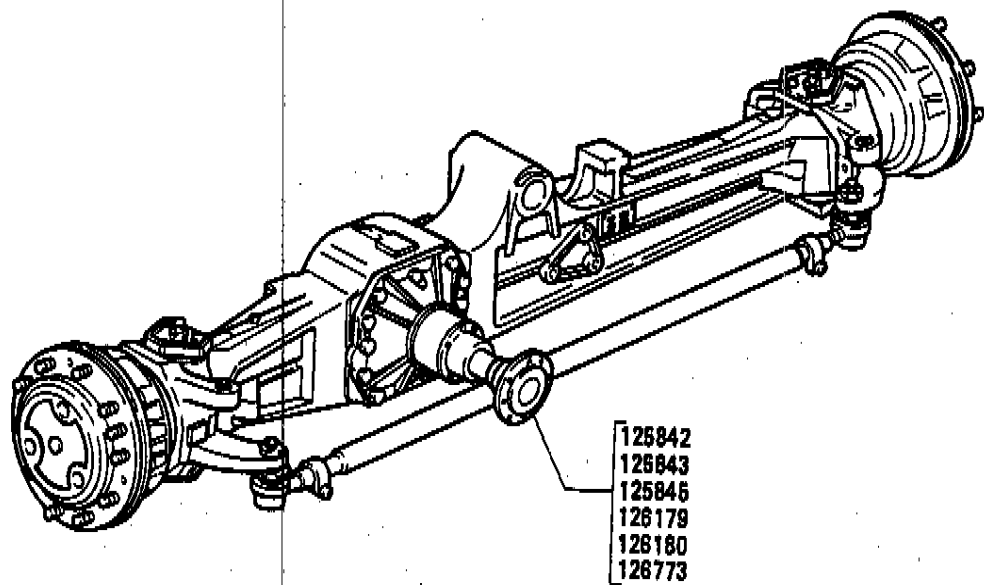
710-19 CARRARO AXLES REF. 125843-125845-126179  
For "MASSEY FERGUSON"  
Spare Parts List

**710-19 CARRARO AXLES REF. 125843-125845-126179**  
**for "MASSEY FERGUSON"**

**SPARE PARTS LIST**

**INDEX OF PAGES**

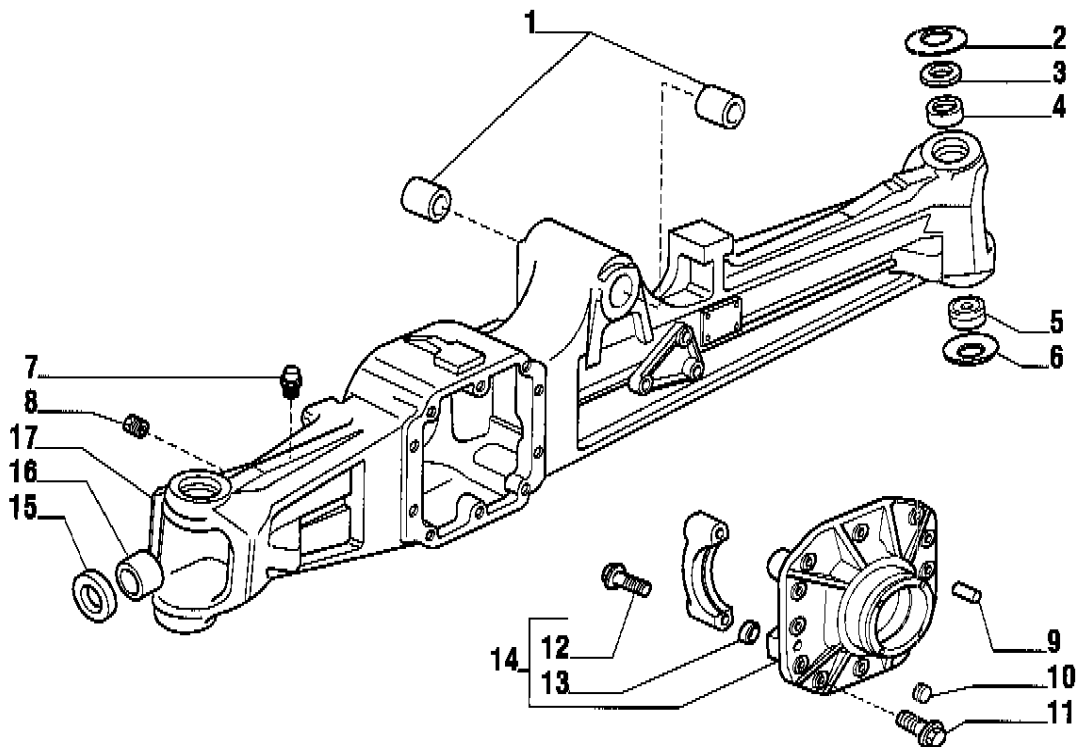
- 1.0 Assy**
- 2.1 Axle housing**
- 3.5 Swivel housing and tie rod**
- 4.1 Bevel Gear/Pinion Set**
- 5.2 Differential**
- 6.0 Drive shafts**
- 7.4 Wheel hub and epicyclic reduction gears**



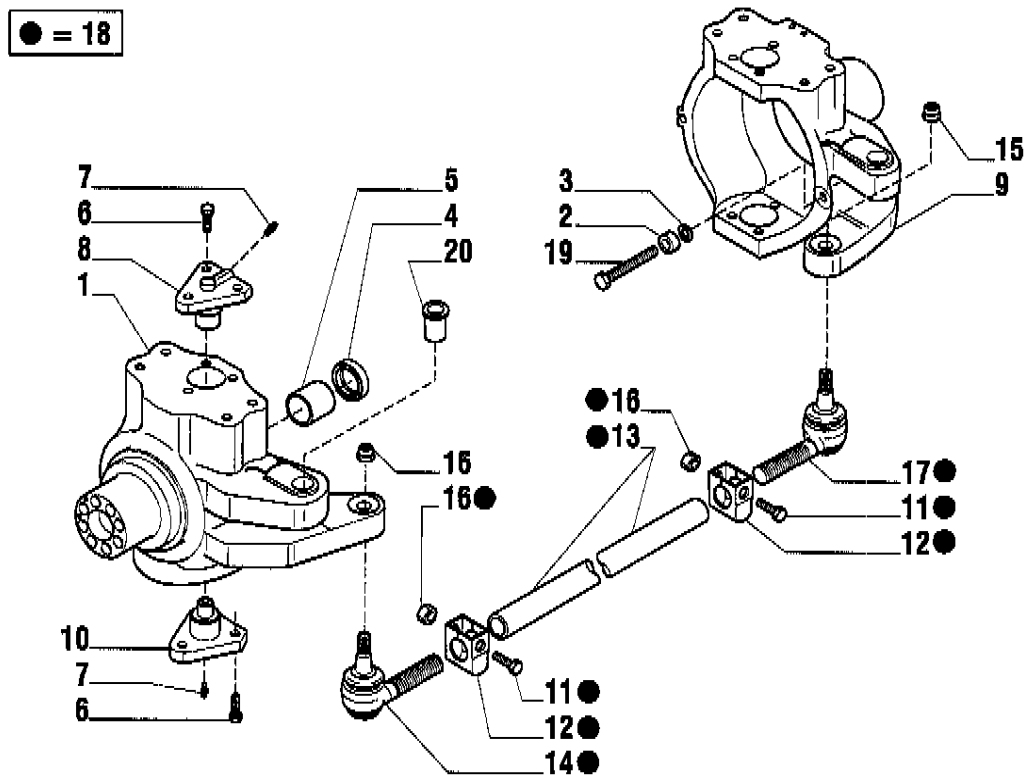
**710-19 CARRARO AXLE 125842-125843-125845-**

**126179-126180-126773**

NOT SERVICED

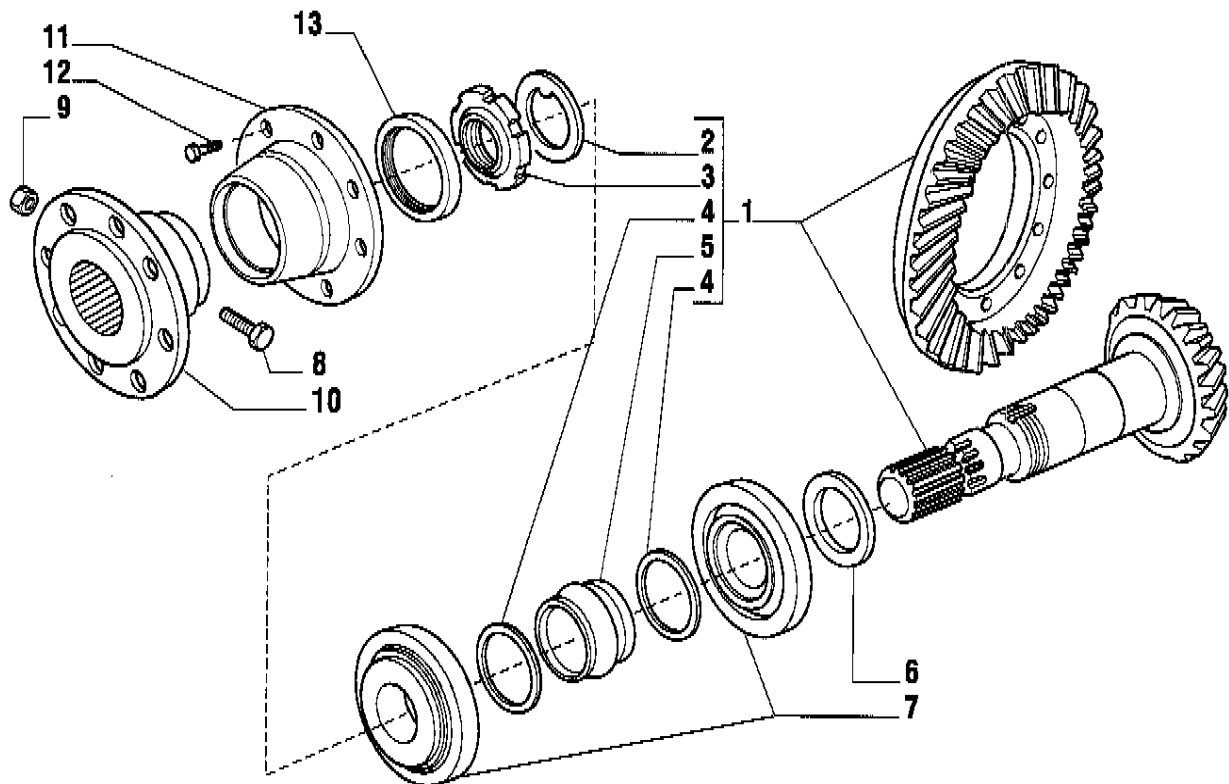


Pos.	Ref.	Q.	Description	Pos.	Ref.	Q.	Description
1	120121	2	Bushing				
2	128833	2	Belleville washer				
3	131265	2	Spacer washer				
4	123641	2	Bush				
5	123728	2	Spherical bearing				
6	128630	2	Belleville washer				
7	104988	1	Breather M10x1				
8	092270	1	Oil plug				
9	087660	2	Pin D.15x35				
10	021565	1	Drain plug M22x1,5				
11	125827	10	Bolt M12x33				
12	126022	4	Bolt M14x75				
13	072235	4	Centering bush				
14	125836	1	Differential support assy				
15	116723	2	Oil seal 42x62x14				
16	118547	2	Bush				
17	129867	1	Axle housing				



MOD. N. 6378-6755

Pos.	Ref.	Q.ty	Description	Pos.	Ref.	Q.ty	Description
1	139044	1	Swivel housing L.H.				
2	132672	4	Bush 30x14,5x15				
3	101035	-	Shim 25x14,5x1				
4	116722	2	Oil seal 35x52x16				
5	109972	2	Bush				
6	126922	12	Screw M14x2x35 (Self lock.)				
7	024210	4	Greaser nipple M6x1				
8	128880	2	King pin				
9	139043	1	Swivel housing R.H.				
10	128881	2	King pin				
11	021199	2	Bolt M16x65				
12	114840	2	Clamp				
13	120818	1	Tie rod				
14	089759	1	Ball joint L.H.				
15	022433	2	Nut M16x1,5 (self lock.)				
16	022440	2	Nut M16x1,5				
17	087031	1	Ball joint R.H.				
18	124924	1	Tie rod assy				
19	117357	4	Bolt M14x60				
20	132099	1	Bush				



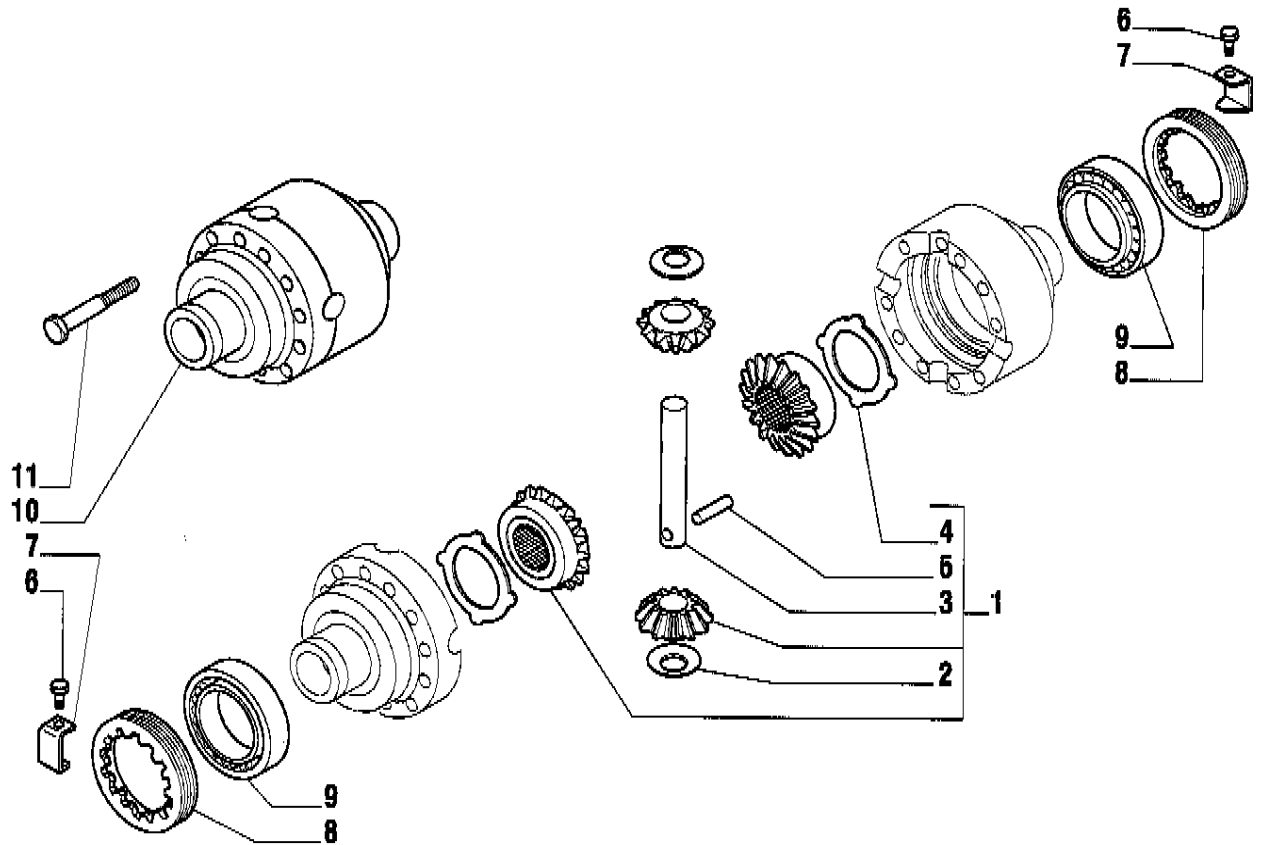
## MOD. N. 5207-5864

Pos.	Ref.	Q.	Description	Pos.	Ref.	Q.	Description
1	065426	1 *	Bevel gear/pinion set Z= 12/32				
1	065427	1 **	Bevel gear/pinion set Z= 11/32				
1	065675	1 ***	Bevel gear/pinion set Z= 10/32				
2	113717	1	Lockwasher				
3	115054	1	Ring nut M40x1,5				
4	125829	2	Washer				
5	125806	1	Collapsible washer				
6	132265	-	Shim 2,5mm				
6	132266	-	Shim 2,6mm				
6	132267	-	Shim 2,7mm				
6	132268	-	Shim 2,8mm				
6	132269	-	Shim 2,9mm				
6	132270	-	Shim 3,0mm				
6	132271	-	Shim 3,1mm				
6	132272	-	Shim 3,2mm				
6	132273	-	Shim 3,3mm				
6	132274	-	Shim 3,4mm				
7	027360	2	Bearing				
8	021105	2	Screw M10x60				
9	022411	2	Nut M10x1,25				
10	117382	1	Flange				
11	116370	1	Cover				
12	020746	6	Screw M6x16				
13	116722	1	Oil seal 35x52x16				

\* Only for ref. 125843

\*\* Only for ref. 125845

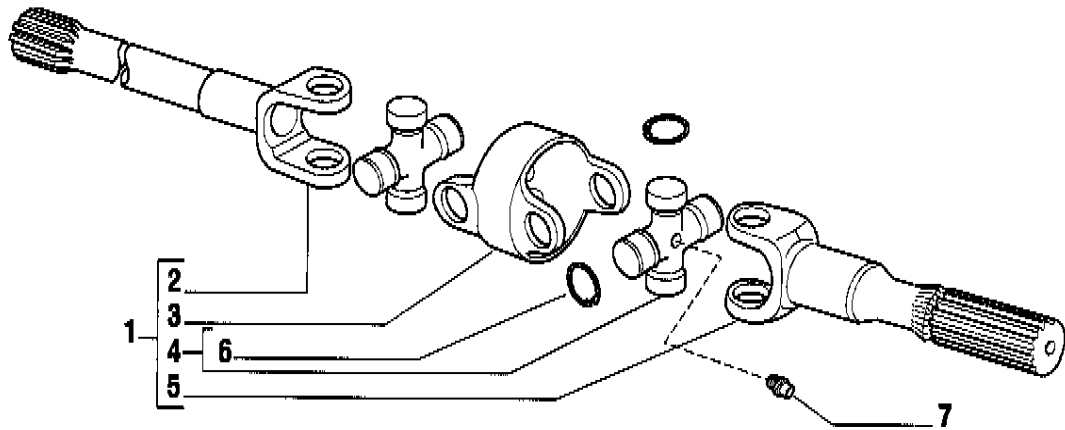
\*\*\* Only for ref. 126179



MOD. N. 6755

Pos.	Ref.	Q.ty	Description	Pos.	Ref.	Q.ty	Description
------	------	------	-------------	------	------	------	-------------

1	066161	1	Differential kit
2	115730	2	Thrust washer
3	115731	1	Shaft
4	120361	2	Thrust plate
5	118451	1	Pin D.70x40
6	128440	2	Screw M6x1x10
7	107778	2	Locking plate
8	107400	2	Ring nut
9	027309	2	Bearing
10	125552	12	Bolt M10x1.5x75 (Self lock.)
11	137972	1	Differential housing

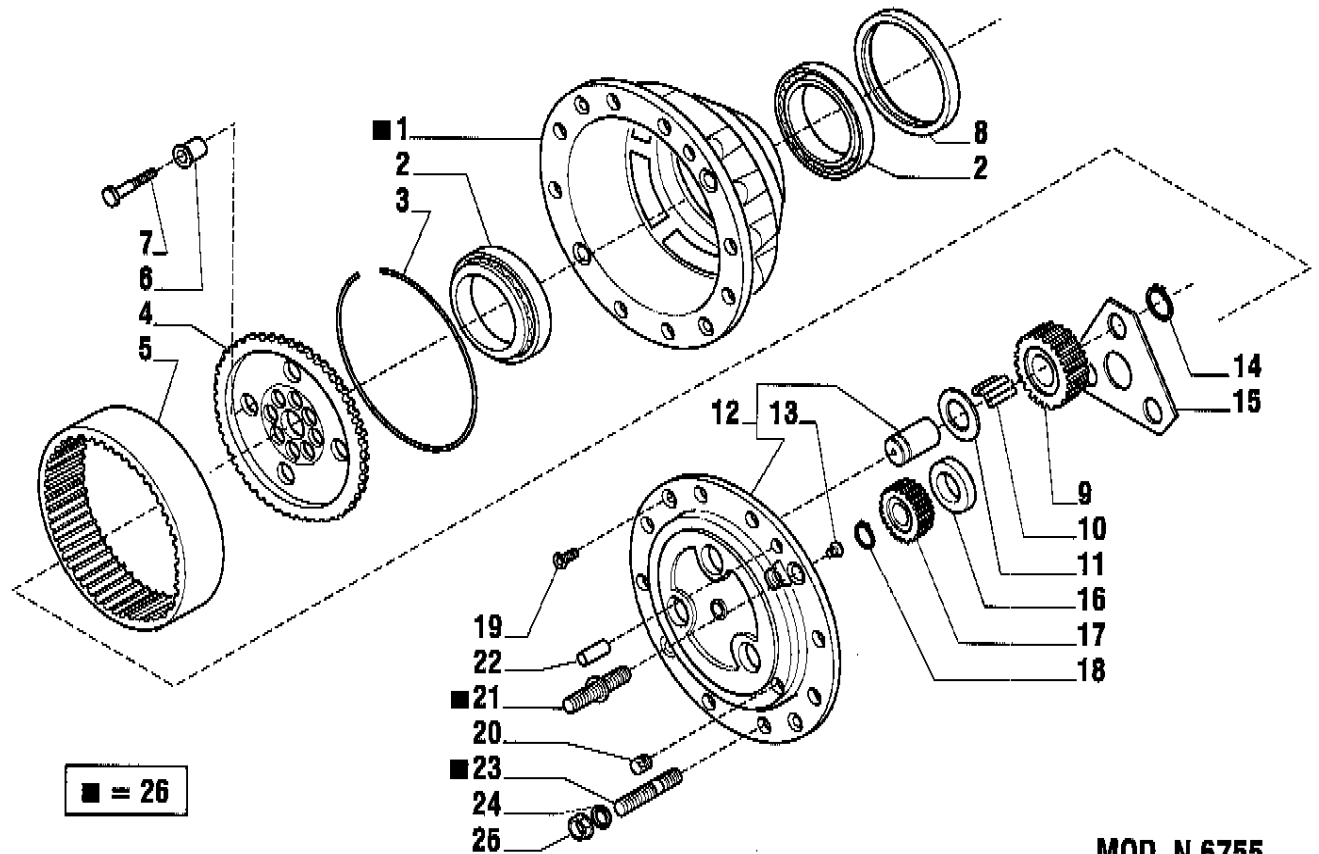


Pos.	Ref.	Q.	Description	Pos.	Ref.	Q.	Description
1	125933	1	Drive shaft L.H.				
1	125934	1	Drive shaft R.H.				
2	040884	1 *	Half shaft (Diff. side) L.H.				
2	040881	1 **	Half shaft (Diff. side) R.H.				
3	040824	2	Central body				
4	040823	4	Spider				
5	040821	2	Half shaft (Wheel side)				
6	040822	16	Lock ring				
7	040866	4	Greaser nipple M8x1				

\* Only for drive shaft ref. 125933

\*\* Only for drive shaft ref. 125934





MOD. N 6755

Pos.	Ref.	Q.ty	Description	Pos.	Ref.	Q.ty	Description
1	118378	2	Wheel hub				
2	118370	4	Bearing				
3	125555	2	Lockring				
4	138722	2	Wheel carrier				
5	125549	2	Crown gear Z=75				
6	125190	8	Centering bush D.20				
7	119906	8	Bolt M14x4.5x65 (Self lock.)				
8	047708	2	Cassette seal 150x176x16				
9	115844	6	Planetary gear Z=29				
10	028284	18	Needle bearing 4x25.8 (by tens)				
11	115634	6	Thrust washer 55x34.6x1.5				
12	085417	2	Planetary carrier assy				
13	115882	2	Thrust pad				
14	024789	6	Snap ring D.34				
15	116458	2	Thrust washer				
16	127592	2	Spacer				
17	115643	2	Epic. pinion Z=15				
18	024784	2	Snap ring D.29				
19	020510	4	Screw M12x30				
20	092270	2	Plug M22x1.5				
21	120863	4	Stud				
22	115840	4	Pin D18x36				
23	106199	12	Stud				
24	119505	16	Washer				
25	115812	16	Nut				
26	066338	2	Wheel hub with stud				