

SEPTEMBER '01

638 FR CARRARO AXLE REF. 125953  
Spare Parts List

MARCH '97

638 FR CARRARO AXLE REF. 125953  
Spare Parts List

## **638 FR CARRARO AXLE REF. 125953**

### SPARE PARTS LIST

#### INDEX OF PAGES

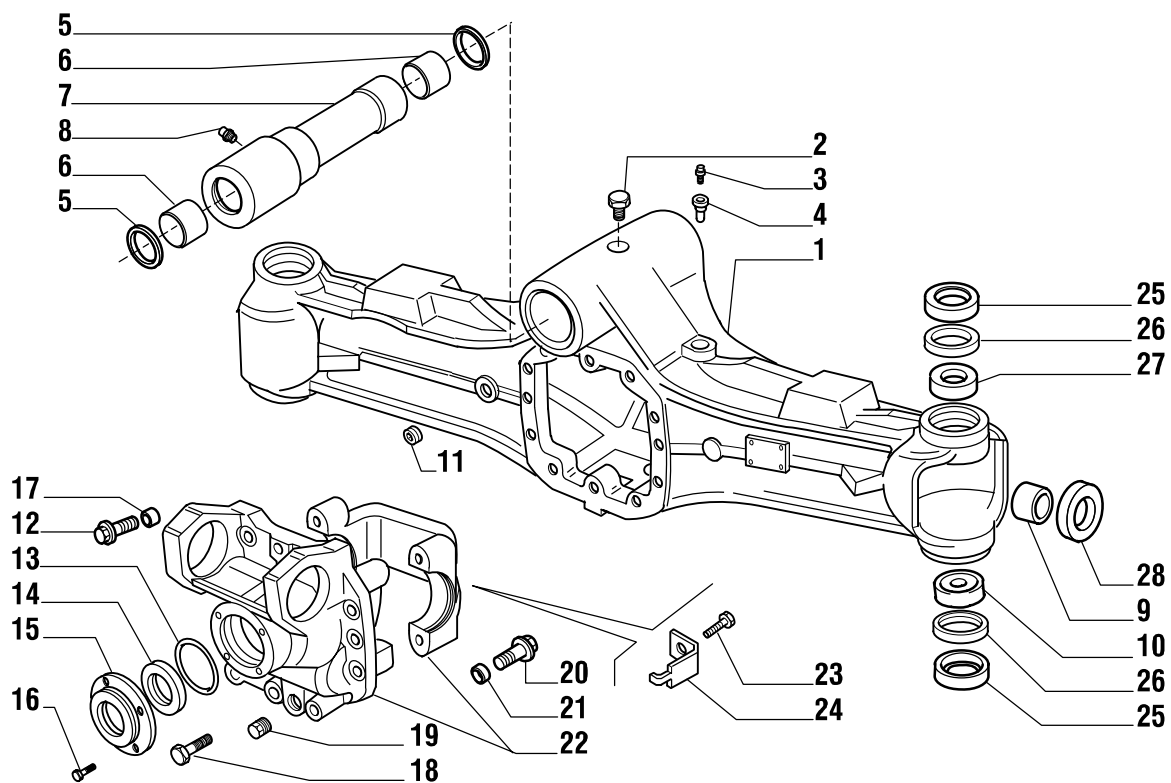
- 1.2 Axle Beam
- 2.1 Swivel Housing - Wheel Hub
- 3.1 Bevel gear/Pinion set
- 4.1 Differential
- 5.0 Steering Cylinder - Tie Rod
- 6.0 Drive Shafts
- 7.1 Epicyclic Reduction Gear

## **638 FR CARRARO AXLE REF. 125953**

### SPARE PARTS LIST

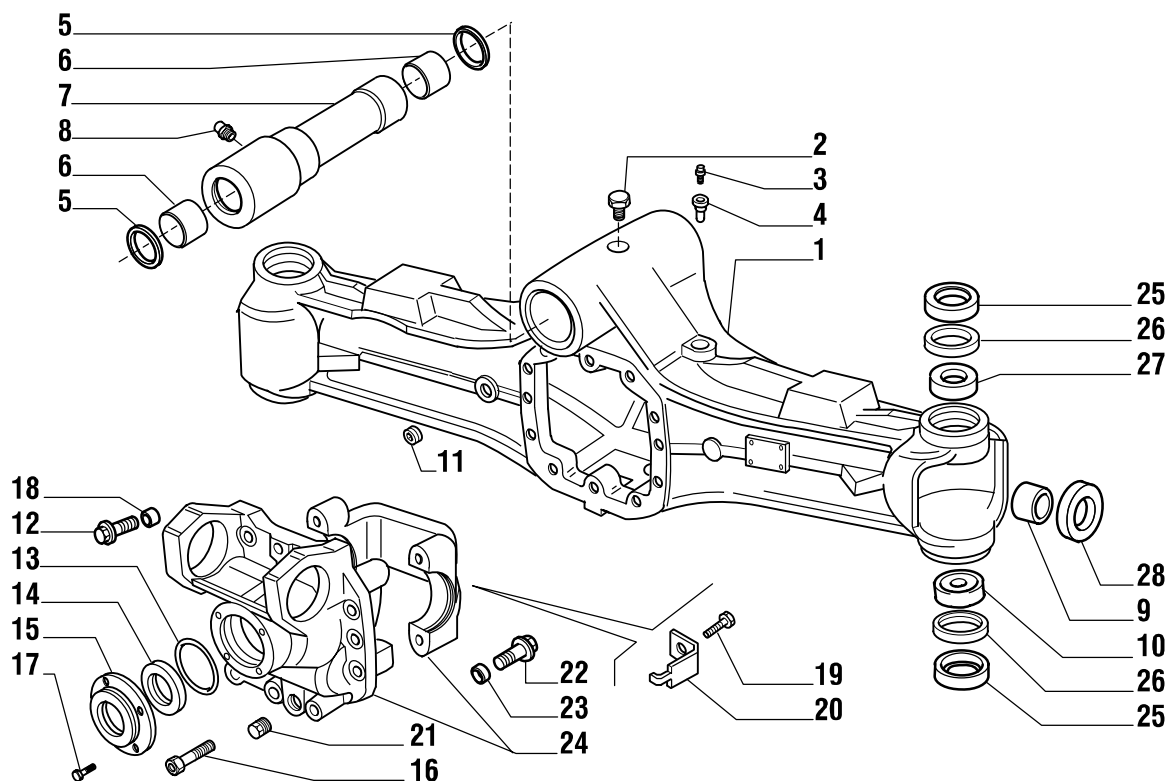
#### INDEX OF PAGES

- 1.1 Axle Beam
- 2.0 Swivel Housing - Wheel Hub
- 3.1 Bevel gear/Pinion set
- 4.1 Differential
- 5.0 Steering Cylinder - Tie Rod
- 6.0 Drive Shafts
- 7.1 Epicyclic Reduction Gear



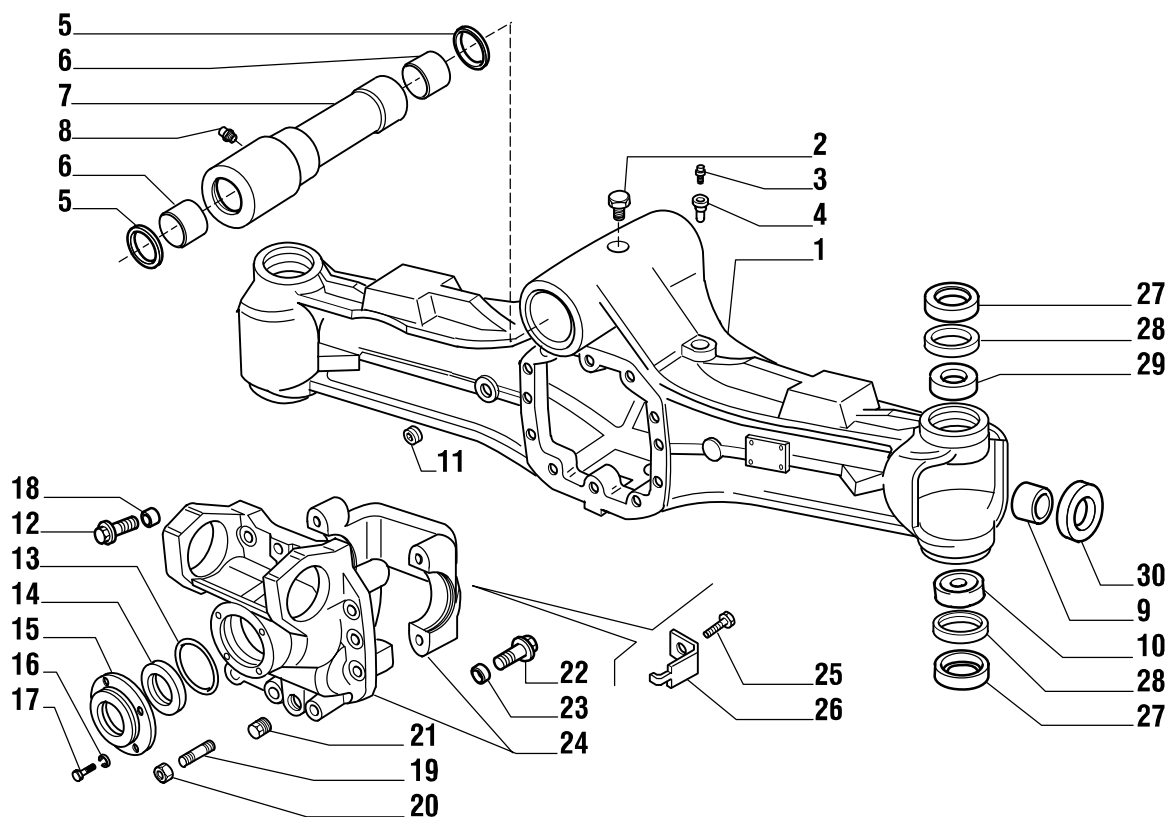
## MOD. N. 8059

Pos.	Ref.	Q.ty	Description	Pos.	Ref.	Q.ty	Description
1	121795	1	Axle housing				
2	121103	1	Screw M6x12				
3	030765	1	Breather plug M10x1				
4	121618	1	Extension for breather				
5	025124	2	Seal				
6	119926	2	Bush 55x60x60				
7	129996	1	Shaft				
8	024260	1	Greaser nipple M10x1				
9	119927	2	Bush 42x46x40				
10	027694	2	Spherical bearing				
11	021565	1	Plug M22x1.5				
12	125827	9	Bolt M12x1.75x33				
13	028567	1	O.ring				
14	125442	1	Oil seal 65x92x14				
15	123847	1	Cover				
16	020778	4	Screw M8x20				
17	117270	2	Centering bush				
18	020948	3	Screw M12x110				
19	092270	1	Plug M22x1.5				
20	126064	4	Bolt M16x95				
21	094205	4	Bush				
22	125353	1	Differential support assy				
23	128440	2	Screw M6x10 (self lock.)				
24	118975	2	Locking plate				
25	134034	4	Cover				
26	025125	4	Lip sea				
27	125047	2	Bush				
28	116723	2	Oil seal 42x62x14				

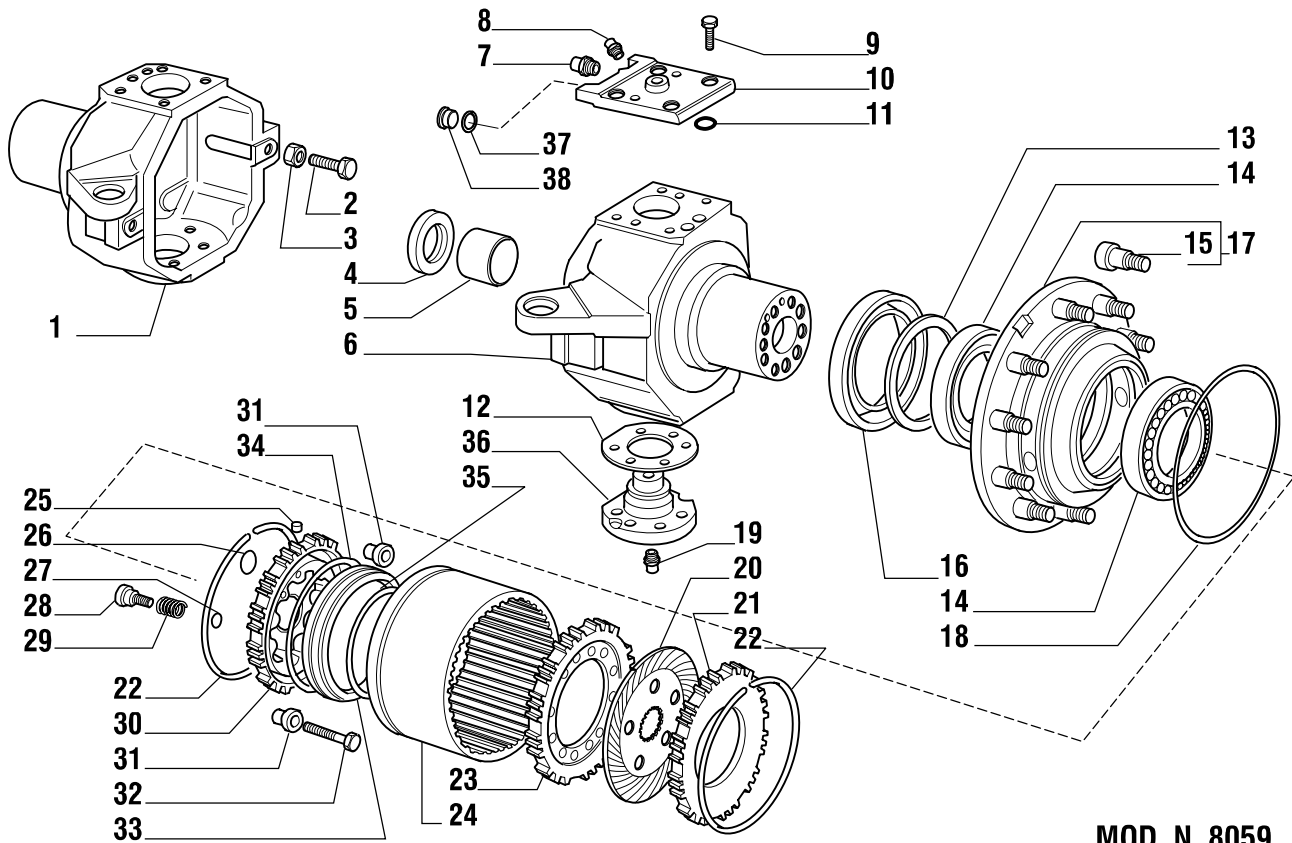


MOD. N. 3923-5057-6326-6496

Pos.	Ref.	Q.ty	Description	Pos.	Ref.	Q.ty	Description
1	121795	1	Axle housing				
2	121103	1	Screw M16x2				
3	030765	1	Breather plug M10x1				
4	121618	1	Extension for breather				
5	025124	2	Oil seal				
6	119926	2	Bush 55x60x60				
7	129996	1	Shaft				
8	024260	1	Greaser nipple M10x1				
9	119927	2	Bush 42x46x40				
10	027694	2	Spherical bearing				
11	021565	1	Plug M22x1.5				
12	125827	9	Bolt M12x1.75x33				
13	028567	1	O.ring				
14	125442	1	Oil seal 65x92x14				
15	123847	1	Cover				
16	020948	3	Bolt M12x110				
17	020778	4	Screw M8x20				
18	117270	2	Centering bush 16x13x12				
19	128440	2	Screw M6x10 (Self lock)				
20	118975	2	Locking plate				
21	092270	1	Plug M22x1.5				
22	126064	4	Bolt M16x95				
23	094205	4	Bush				
24	125353	1	Differential support assy				
25	121104	4	Cover				
26	025125	4	Lip seal				
27	125047	2	Bush				
28	116723	2	Oil seal 42x62x14				



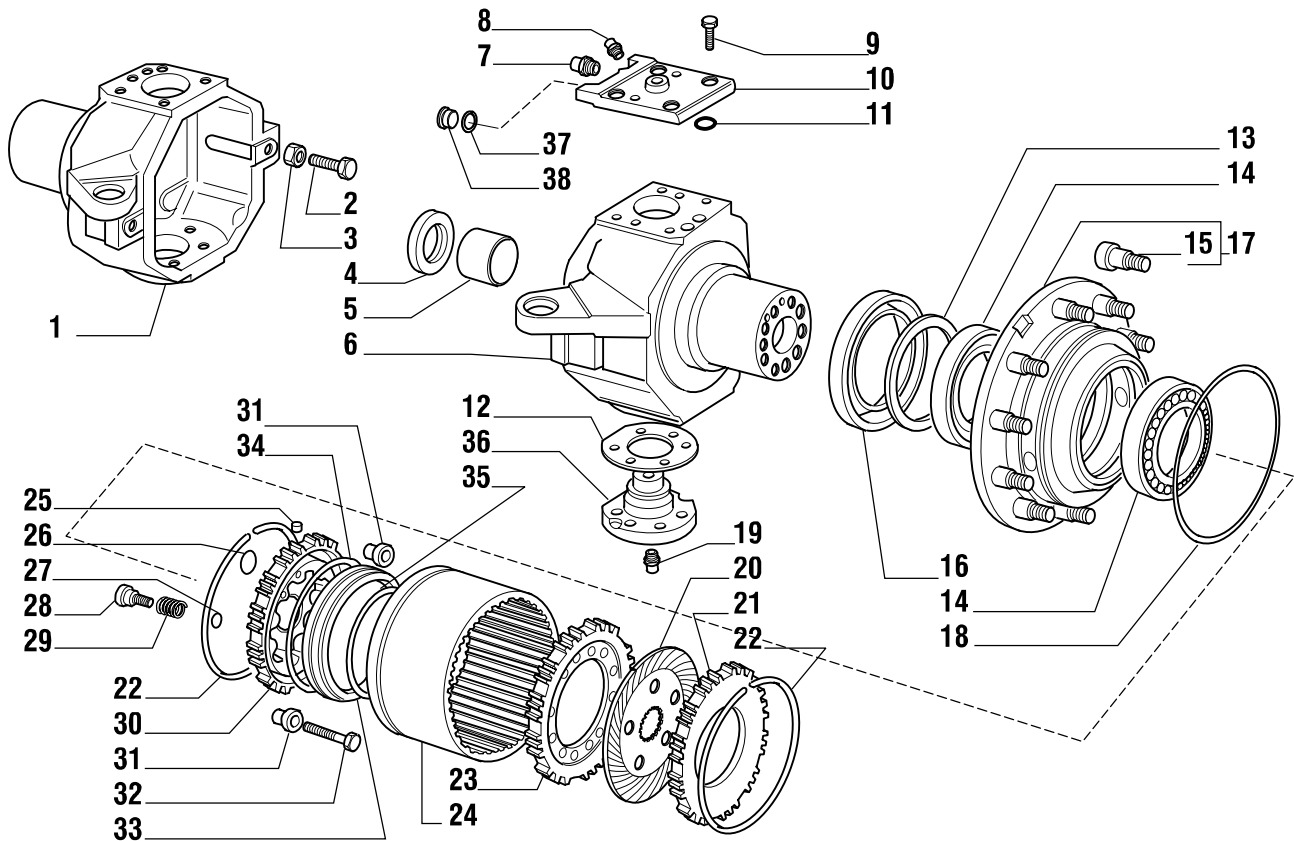
Pos.	Ref.	Q.ty	Description	Pos.	Ref.	Q.ty	Description
1	121795	1	Axle housing	28	025125	4	Lip seal
2	121103	1	Screw M6x12	29	125047	2	Bush
3	030765	1	Breather plug M10x1	30	116723	2	Oil seal 42x62x14
4	121618	1	Extension for breather				
5	025124	2	Seal				
6	119926	2	Bush 55x60x60				
7	129996	1	Shaft				
8	024260	1	Greaser nipple M10x1				
9	119927	2	Bush 42x46x40				
10	027694	2	Spherical bearing				
11	021565	1	Plug M22x1.5				
12	125827	9	Bolt M12x1.75x33				
13	028567	1	O.ring				
14	125442	1	Oil seal 65x92x14				
15	123847	1	Cover				
16	022856	4	Grower washer D.8				
17	021393	4	Screw M8x25				
18	117270	2	Centering bush				
19	125361	3	Stud				
20	022414	3	Nut M12x1,25 (self lock.)				
21	092270	1	Plug M22x1.5				
22	126064	4	Bolt M16x95				
23	094205	4	Bush				
24	125353	1	Differential support assy				
25	128440	2	Screw M6x10 (self lock.)				
26	118975	2	Locking plate				
27	121104	4	Cover				



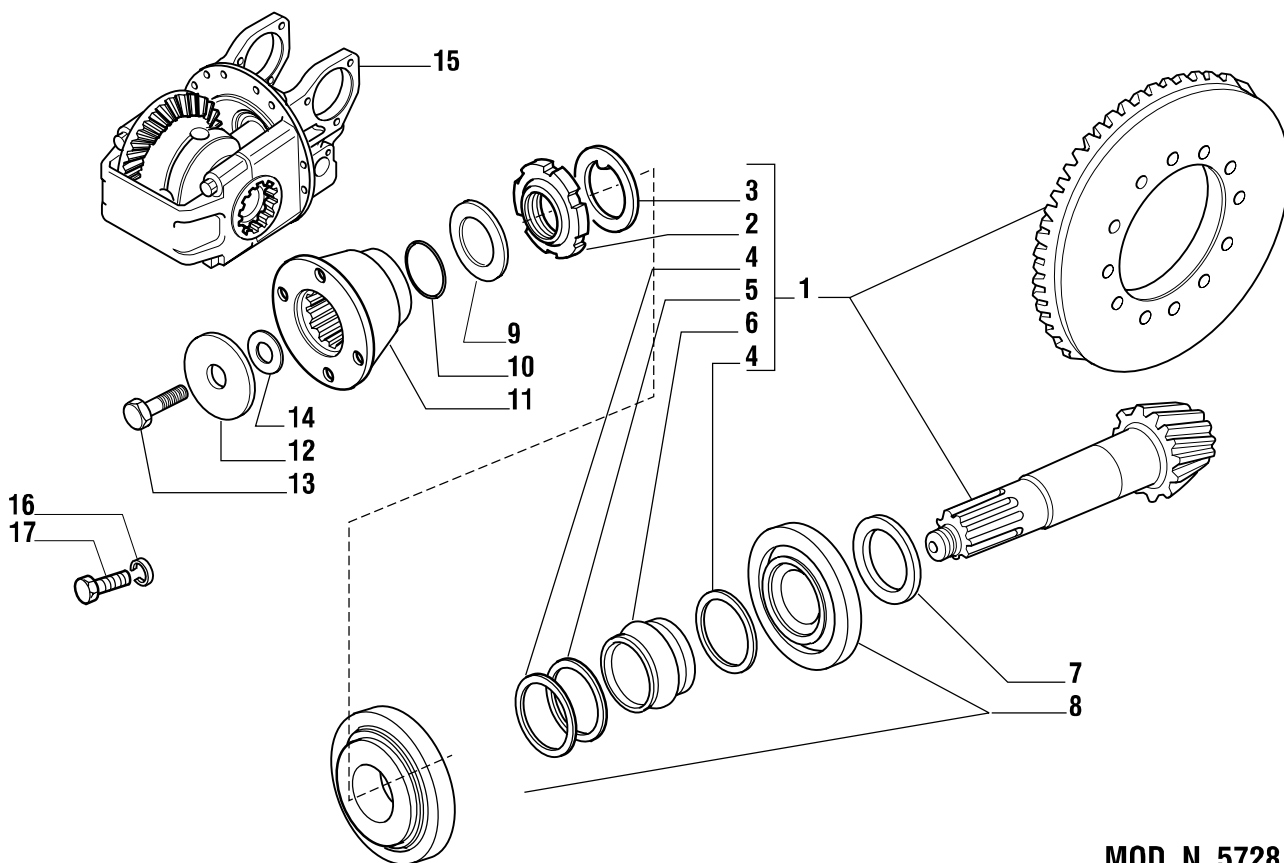
MOD. N. 8059

Pos.	Ref.	Q.ty	Description	Pos.	Ref.	Q.ty	Description
1	139041	1	Swivel housing L.H.	27	125883	24	Lock ring
2	117357	4	Bolt M14x60	28	125882	24	Pin
3	022131	4	Nut M.14	29	125881	24	Spring
4	121016	2	Oil seal 65x87x15	30	138756	2	Wheel carrier
5	119908	2	Bush	31	125190	20	Centering bush D.20
6	139042	1	Swivel housing R.H.	32	119906	20	Bolt M14x1,5x65 (self lock.)
7	125884	2	Breather M14x1.5	33	125874	2	Brake piston
8	024260	2	Greaser nipple M10x1	34	125885	2	Quadring 179,6x3,4
9	126922	20	Bolt M14x2x35 (self lock)	35	125886	2	Quadring 204,6x3,4
10	125780	2	King pin	36	120001	2	King pin
11	028576	4	O.ring	37	122816	2	Washer
12	122017	-	Shim Th=0,1mm	38	030741	2	Oil plug M14x1,5
12	122018	-	Shim Th=0,3mm				
13	125878	2	Spacer				
14	119970	4	Bearing				
15	141549	20	Stud M22x1,5x110				
16	047710	2	Cassette seal				
17	068000	2	Wheel hub				
18	028579	2	O. ring				
19	024262	2	Greaser nipple M10x1				
20	125855	2	Brake disc				
21	125832	2	Reaction plate				
22	125061	4	Ring				
23	125849	2	Reaction plate				
24	125856	2	Crown gear Z=68				
25	021530	4	Screw M6x8				
26	028595	4	O. ring				



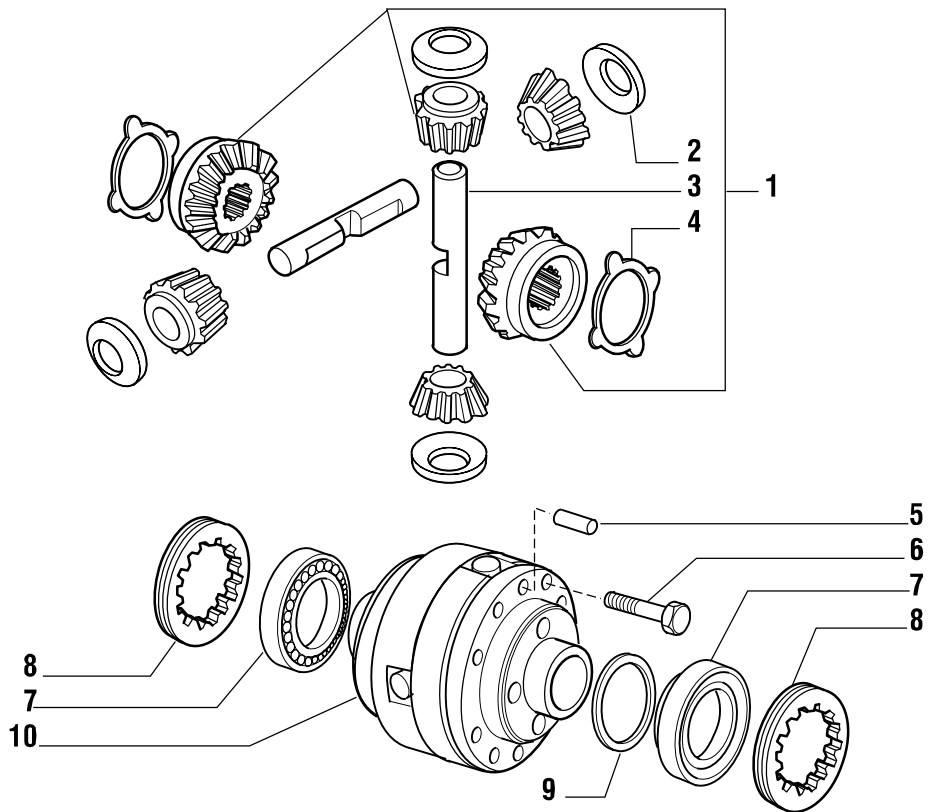


Pos.	Ref.	Q.ty	Description	Pos.	Ref.	Q.ty	Description
1	126963	1	Swivel housing L.H.	27	125883	24	Lock ring
2	117357	4	Bolt M14x60	28	125882	24	Pin
3	022131	4	Nut M.14	29	125881	24	Spring
4	121016	2	Oil seal 65x87x15	30	125850	2	Wheel carrier
5	119908	2	Bush	31	125189	2	Centering bush D.24
6	126962	1	Swivel housing R.H.	31	125190	18	Centering bush D.20
7	125884	2	Breather M14x1.5	32	119906	20	Bolt M14x1,5x65 (self lock.)
8	024260	2	Greaser nipple M10x1	33	125874	2	Brake piston
9	126922	20	Bolt M14x2x35 (self lock)	34	125885	2	Quadring 179,6x3,4
10	125780	2	King pin	35	125886	2	Quadring 204,6x3,4
11	028576	4	O.ring	36	120001	2	King pin
12	122017	-	Shim Th=0,1mm	37	122816	2	Washer
12	122018	-	Shim Th=0,3mm	38	030741	2	Oil plug M14x1,5
13	125878	2	Spacer				
14	119970	4	Bearing				
15	125046	20	Stud M22x1,5x90				
16	047710	2	Cassette seal				
17	065744	2	Wheel hub				
18	028579	2	O. ring				
19	024262	2	Greaser nipple M10x1				
20	125855	2	Brake disc				
21	125832	2	Reaction plate				
22	125061	4	Ring				
23	125849	2	Reaction plate				
24	125856	2	Crown gear Z=68				
25	021530	4	Screw M6x8				
26	028595	2	O. ring				



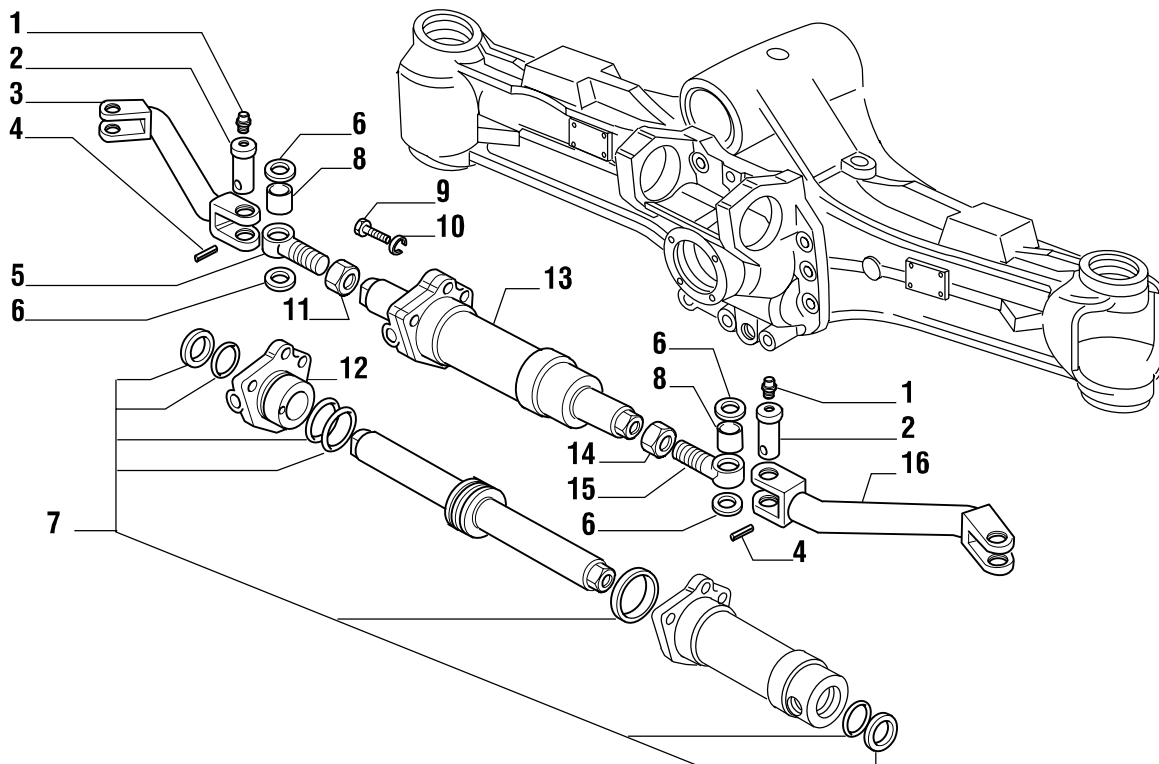
MOD. N. 5728

Pos.	Ref.	Q.ty	Description	Pos.	Ref.	Q.ty	Description
1	065678	1	Bevel gear/pinion set Z=13/37				
2	117140	1	Ring nut M45x1.5				
3	125545	1	Washer				
4	125831	2	Washer 55x45.5x2				
5	126018	1	Washer 55x45.5x1				
6	125808	1	Collapsible spacer				
7	134186	-	Shim 2,5mm				
7	134187	-	Shim 2,6mm				
7	132188	-	Shim 2,7mm				
7	132189	-	Shim 2,8mm				
7	132190	-	Shim 2,9mm				
7	132191	-	Shim 3,0mm				
7	132192	-	Shim 3,1mm				
7	132193	-	Shim 3,2mm				
7	132194	-	Shim 3,3mm				
7	132195	-	Shim 3,4mm				
8	027351	2	Bearing				
9	123430	1	Washer 55x38x3				
10	028557	1	O.ring				
11	123923	1	Flange				
12	123921	1	Washer 44x12.5x5				
13	123918	1	Bolt M12x1,25x25 (Self lock.)				
14	123915	-	Shim 0,05mm				
14	123916	-	Shim 0,10mm				
14	123917	-	Shim 0,20mm				
15	065773	1	Differential assy				
16	022861	4	Washer D.12				
17	021134	4	Bolt M12x1,25x25				

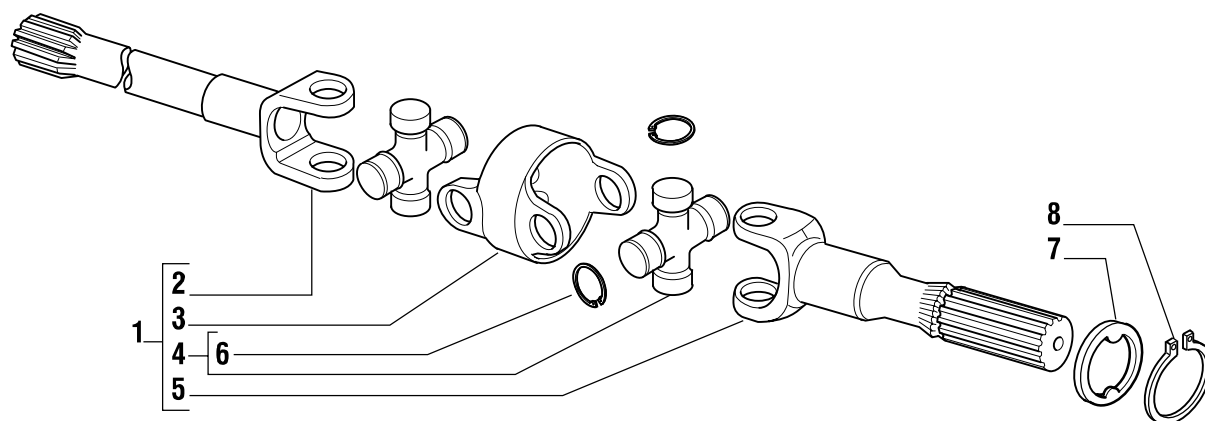


MOD. N. 5212

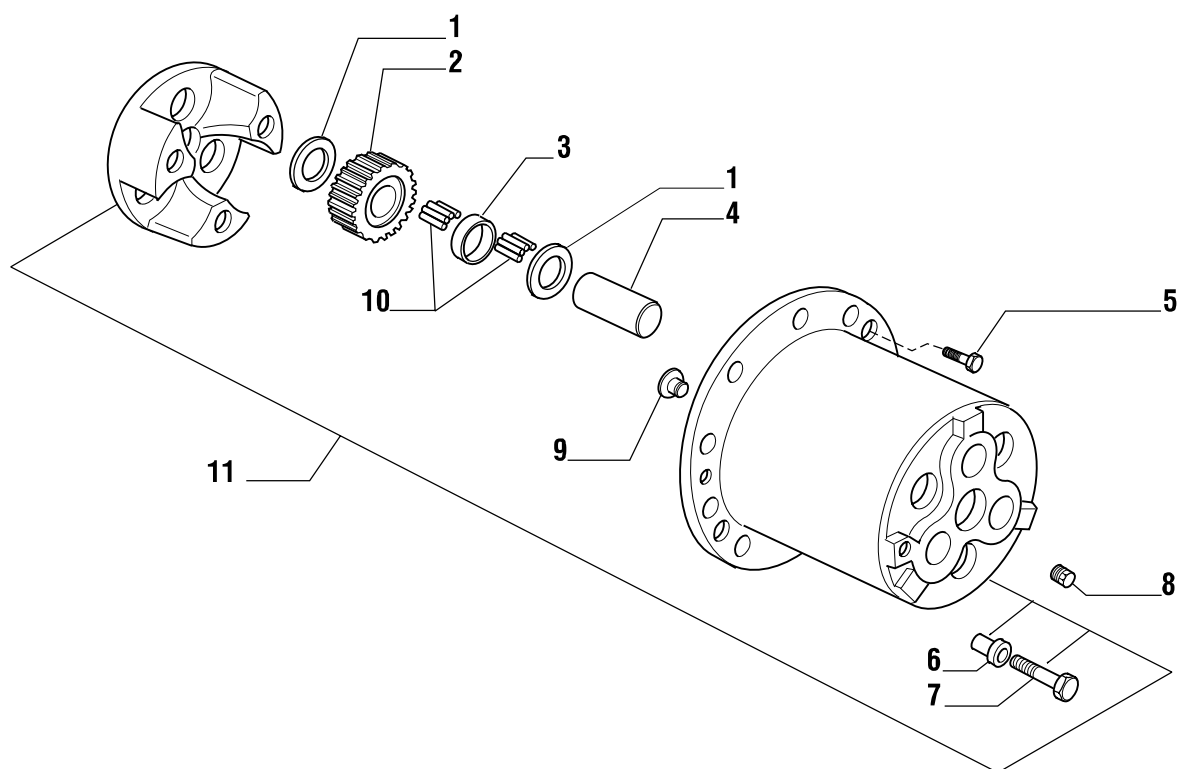
Pos.	Ref.	Q.ty	Description	Pos.	Ref.	Q.ty	Description
1	066323	1	Differential kit				
2	117171	4	Thrust washer 60x25.22x2				
3	133035	2	Shaft				
4	133036	2	Thrust washer				
5	125065	2	Centering pin D.14x40				
6	125064	10	Bolt M14x2x100 (Self lock.)				
7	027367	2	Bearing				
8	125445	2	Ring nut M104x2				
9	125033	1	Spacer 83.5x66.5x7				
10	125777	1	Housing				



Pos.	Ref.	Q.ty	Description	Pos.	Ref.	Q.ty	Description
1	024260	2	Greaser nipple M10x1				
2	121053	4	Pin				
3	121886	1	Tie Rod L.H.				
4	024430	4	Pin 8x40				
5	121067	1	Shaft threaded L.H.				
6	121054	8	Washer 54x32x1.5				
7	049034	1	Gasket kit				
8	119951	4	Bush				
9	021011	3	Screw M16x55				
10	022864	3	Washer D.16				
11	121106	1	Nut threader M36x1,5 L.H.				
12	124217	1	Flange				
13	120996	1	Cylinder				
14	121105	1	Nut threader M36x1,5 R.H.				
15	121055	1	Shaft threader R.H.				
16	121885	1	Tie rod R.H.				



Pos.	Ref.	Q.ty	Description	Pos.	Ref.	Q.ty	Description
1	125781	2	Drive shaft				
2	040851	2	Fork (Differential Side)				
3	040850	2	Central body				
4	040852	4	Spider				
5	040876	2	Fork (Wheel Side)				
6	040877	16	Snap ring				
7	125043	2	Washer 68x40x7				
8	024809	2	Snap ring D.54				



## MOD. N. 5462

Pos.	Ref.	Q.ty	Description	Pos.	Ref.	Q.ty	Description
------	------	------	-------------	------	------	------	-------------

1	125050	12	Thrust washer				
2	125053	6	Planetary gear Z=27				
3	125048	6	Washer 53x46.2x9.9				
4	125089	6	Shaft				
5	020778	4	Screw M8x20				
6	128049	6	Centering bush				
7	125062	6	Screw M20x80				
8	092270	2	Oil plug 22x1.5				
9	115682	2	Thrust pin				
10	028298	38,4	Needle bearing (by tens) 5x21.8				
11	125952	2	Carrier assy (includes ref.125062-128046-128048-128049)				