

SEPTEMBER '01

838 FR CARRARO AXLE REF. 125954
Spare Parts List

MARCH '96

838 FR CARRARO AXLE REF. 125954
Spare Parts List

838 FR CARRARO AXLE REF. 125954

SPARE PARTS LIST

INDEX OF PAGES

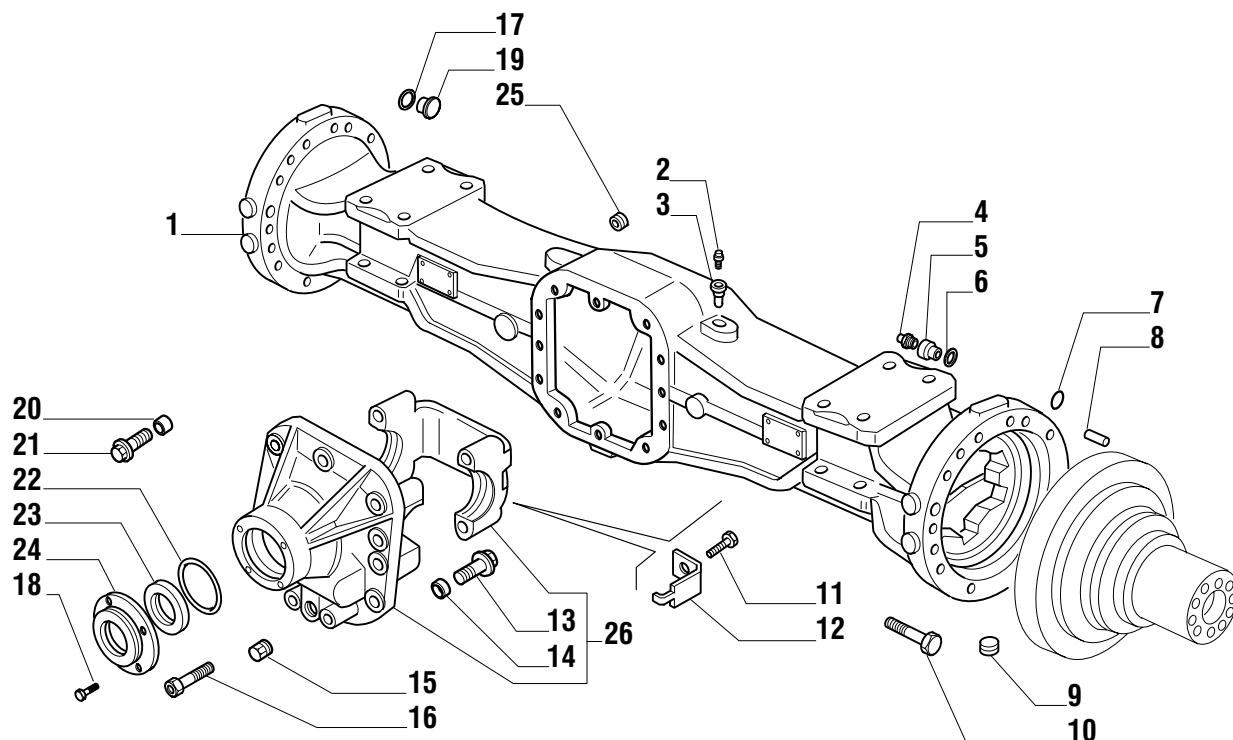
- 1.3 Axle Beam
- 2.3 Shaft and Wheel Hub
- 3.0 Bevel gear/Pinion set
- 4.1 Differential
- 5.0 Brakes
- 6.2 Epicyclic Reduction Gears

838 FR CARRARO AXLE REF. 125954

SPARE PARTS LIST

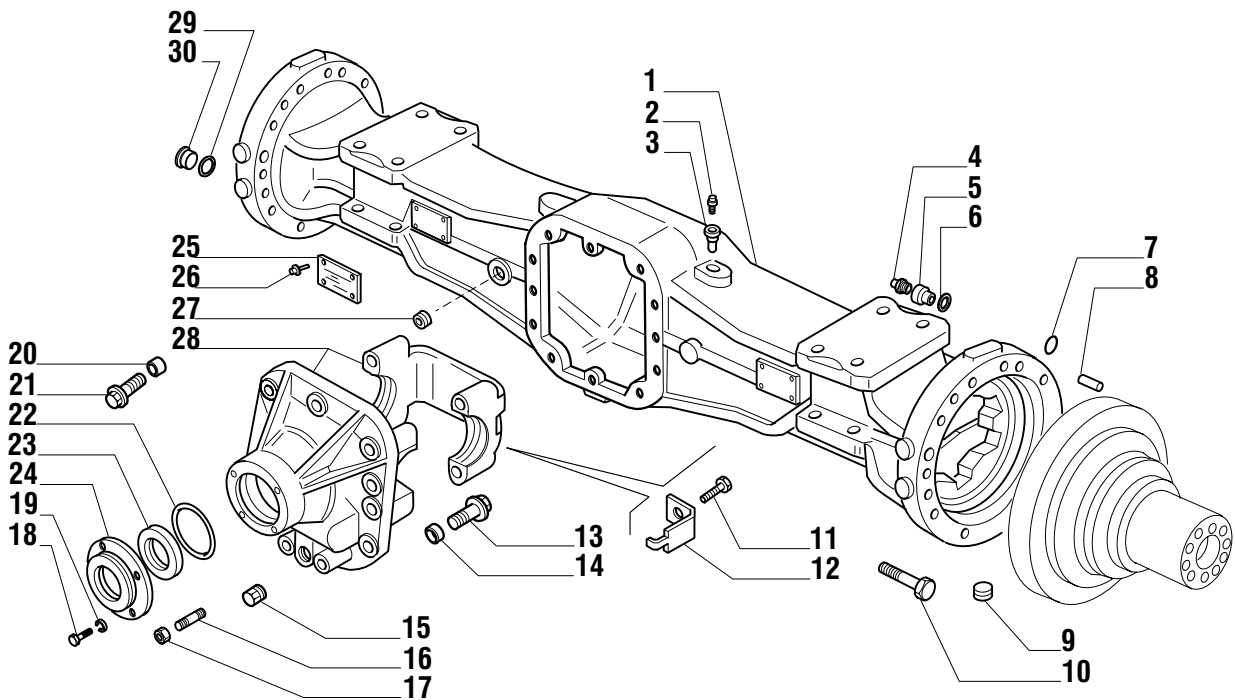
INDEX OF PAGES

- 1.3 Axle Beam
- 2.2 Shaft and Wheel Hub
- 3.0 Bevel gear/Pinion set
- 4.1 Differential
- 5.0 Brakes
- 6.2 Epicyclic Reduction Gears



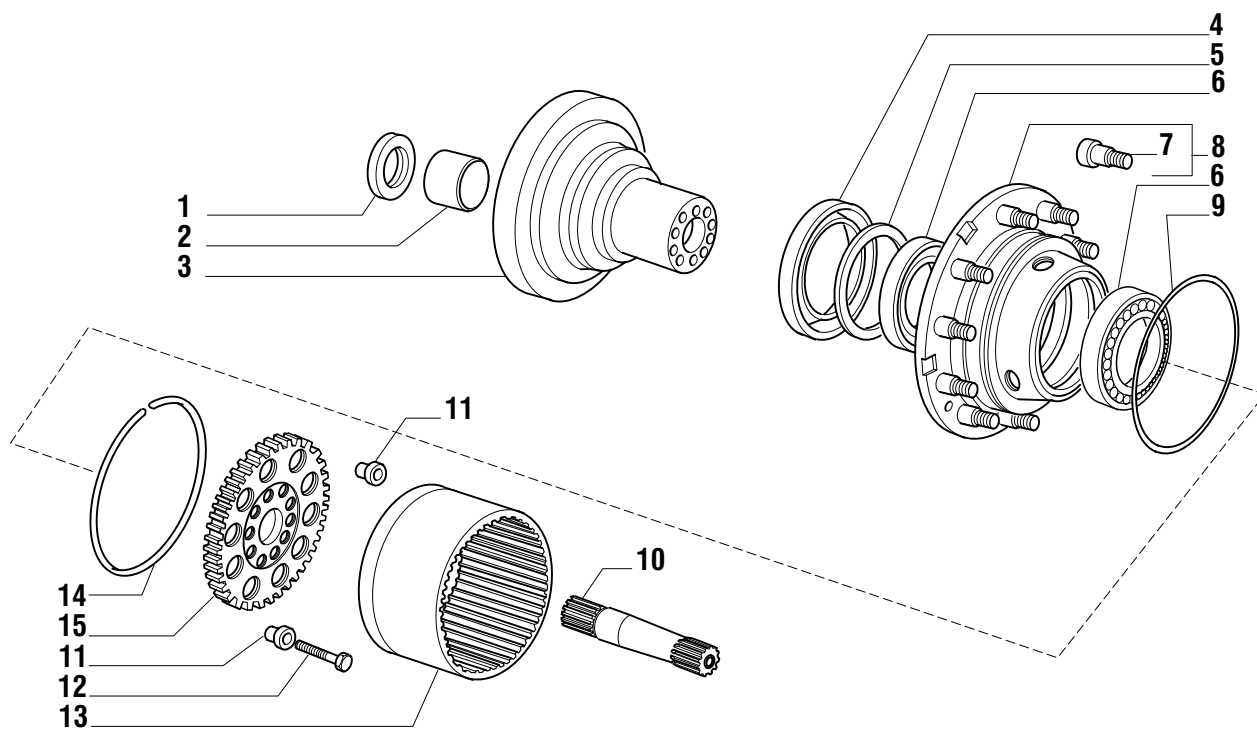
MOD. N. 6225-6496

Pos.	Ref.	Q.ty	Description	Pos.	Ref.	Q.ty	Description
1	126062	1	Axle beam				
2	030765	1	Plug M10x1				
3	121618	1	Extension for breather				
4	116792	2	Breather M10x1				
5	119988	2	Breather support				
6	023279	2	Washer 16x22.7x1.5				
7	028500	4	O.ring				
8	121129	4	Pin D.15x45				
9	021567	2	Plug M16x1.5				
10	127693	20	Bolt M14x75 (Self lock.)				
11	128440	2	Bolt M6x10(Self lock.)				
12	118975	2	Locking plate				
13	126064	4	Bolt M16x95				
14	094205	4	Centering bush				
15	092270	1	Oil plug M22x1.5				
16	020948	3	Bolt M12x110				
17	122816	2	Washer 22x14x1.5				
18	020778	4	Bolt M8x20				
19	030741	2	Plug M14x1.5				
20	117270	2	Bush 16x13x12				
21	125827	9	Bolt M12x1.75x33				
22	028567	1	O.ring				
23	125442	1	Oil seal ring				
24	123847	1	Cover				
25	021565	1	Plug M22x1.5				
26	125362	1	Differential support				



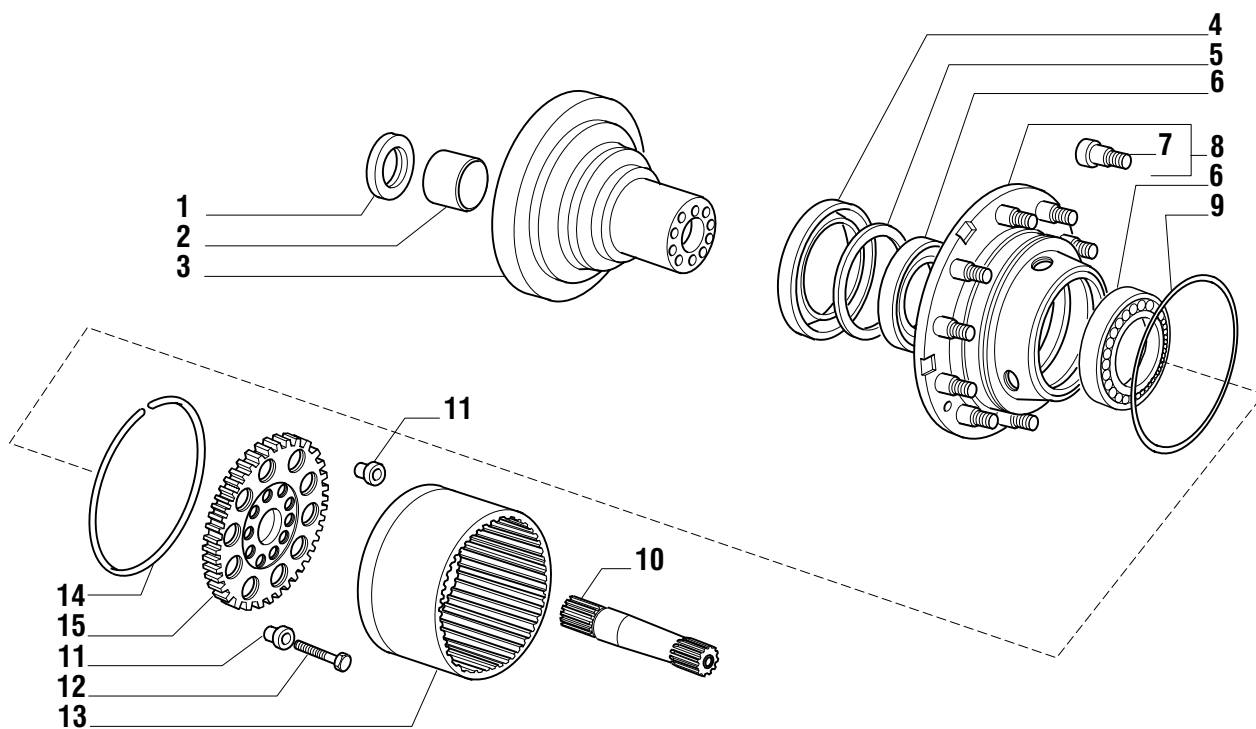
MOD. N. 5057 - 5846

Pos.	Ref.	Q.	Description	Pos.	Ref.	Q.	Description
1	126062	1	Axle beam	28	125362	1	Lip seal
2	030765	1	Plug M10x1	29	122816	2	Washer
3	121618	1	Extension for breather	30	030741	2	Oil plug M14x1,5
4	116792	2	Breather				
5	119988	2	Breather support				
6	023279	2	Washer 16x22,7x1,5				
7	028500	4	O.ring				
8	121129	4	Pin D.15x45				
9	021567	2	Plug M16x1,5				
10	127693	20	Bolt M14x75				
11	128440	2	Screw M6x10 (self locking)				
12	118975	2	Locking plate				
13	126064	4	Bolt M16x95				
14	094205	4	Centering bush				
15	092270	1	Oil plug				
16	125361	3	Stud M12x135				
17	022414	3	Nut M12x1,25A (self locking)				
18	021393	4	Screw M8x25				
19	022856	4	Spring washer D.8				
20	117270	2	Centering bush				
21	125827	9	Bolt M12x33				
22	028567	1	O.ring				
23	125442	1	Oil seal 65x92x14				
24	123847	1	Cover				
25	123147	1	Plate				
26	023827	4	Rivet D.3,2				
27	021565	1	Oil plug				



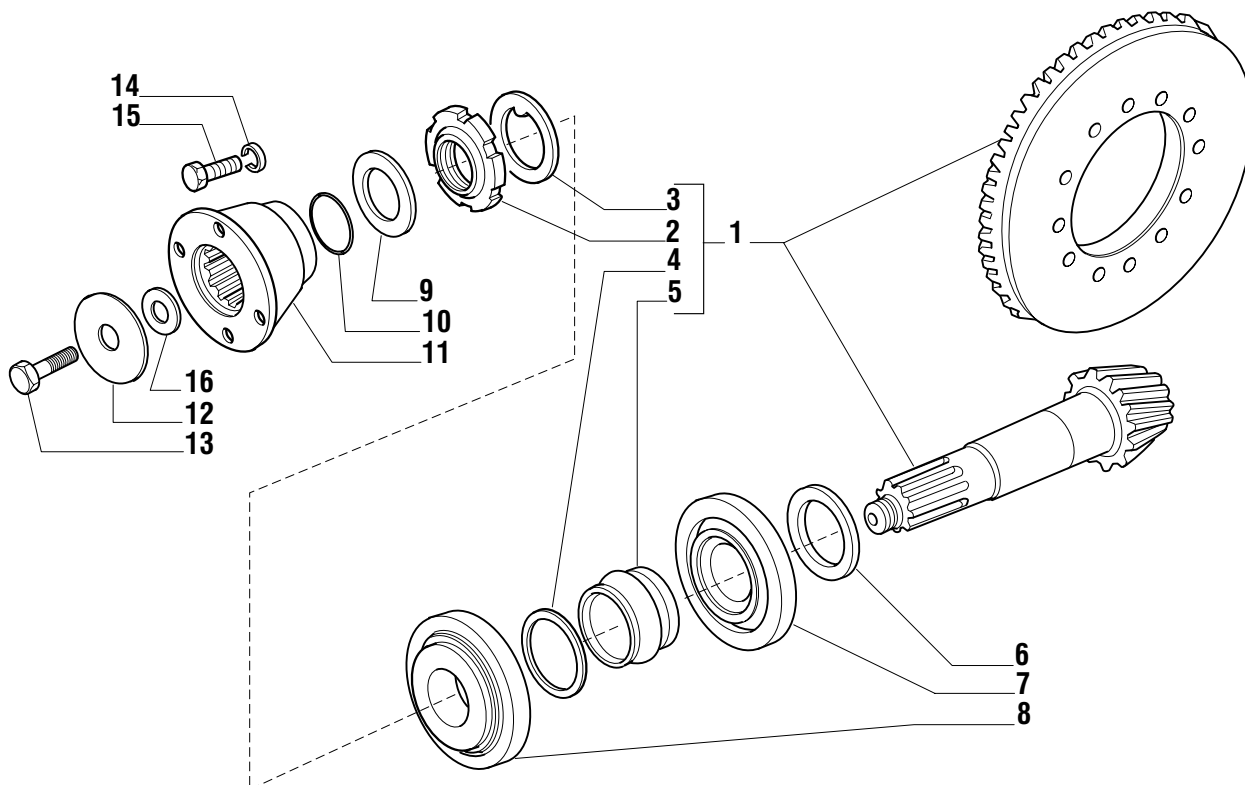
MOD. N. 8059

Pos.	Ref.	Q.	Description	Pos.	Ref.	Q.	Description
1	025213	2	Oil seal 47x62x7				
2	125057	2	Bush				
3	138914	2	Wheel shaft				
4	047710	2	Cassette seal				
5	125044	2	Ring				
6	119970	4	Bearing				
7	141549	20	Stud M22x1.5x110				
8	066999	2	Wheel hub				
9	028579	2	O.ring				
10	125040	2	Drive shaft				
11	125190	20	Centering bush D.20				
12	119906	20	Bolt M14x1,5x65 (Self locking)				
13	125863	2	Crown gear				
14	125061	2	Ring				
15	138912	2	Wheel carrier				

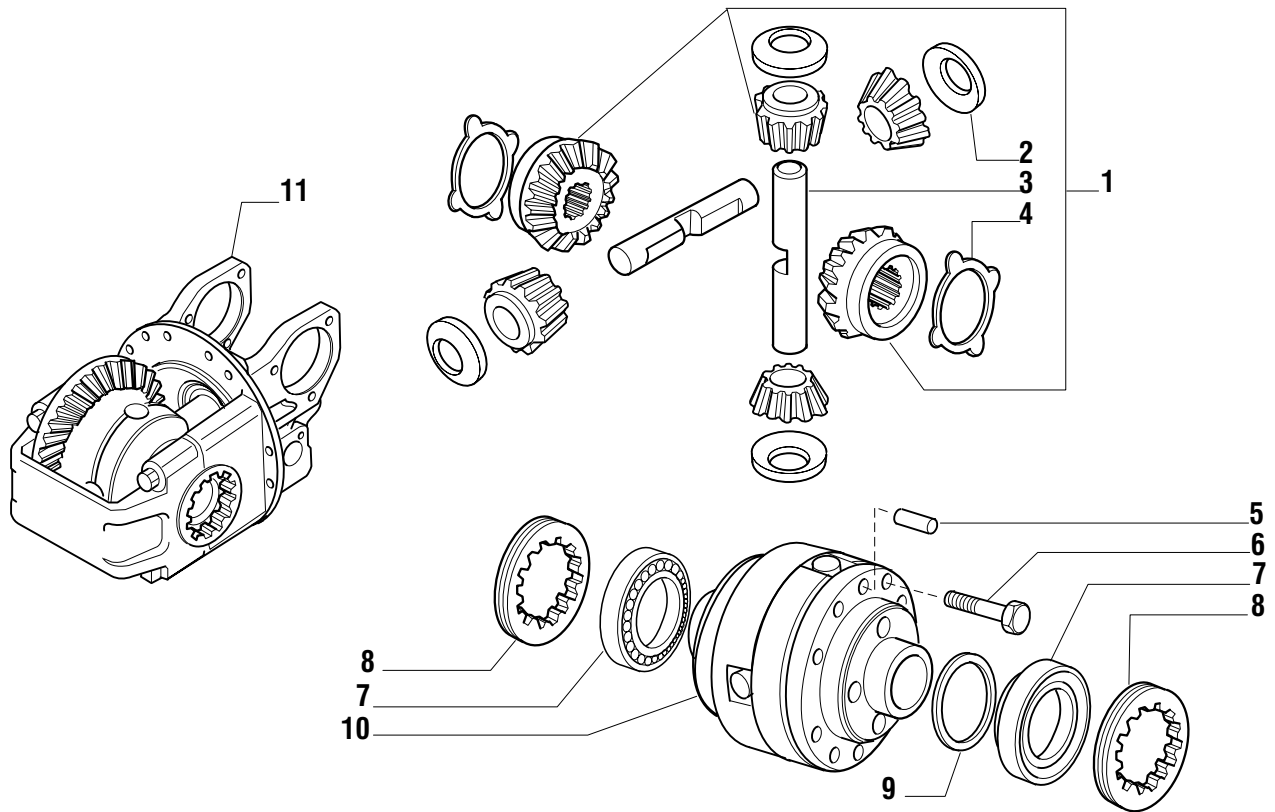


MOD. N. 3766 - 3961

Pos.	Ref.	Q.	Description	Pos.	Ref.	Q.	Description
1	025213	2	Oil seal 47x62x7				
2	125057	2	Bush				
3	126978	2	Wheel shaft				
4	047710	2	Cassette seal				
5	125044	2	Ring				
6	119970	4	Bearing				
7	125046	20	Stud				
8	065730	2	Wheel hub				
9	028579	2	O.ring				
10	125040	2	Drive shaft				
11	125189	2	Centering bush D.24				
11	125190	18	Centering bush D.20				
12	119906	20	Bolt M14x1,5x65 (Self locking)				
13	125863	2	Crown gear				
14	125061	2	Ring				
15	127987	2	Wheel carrier				



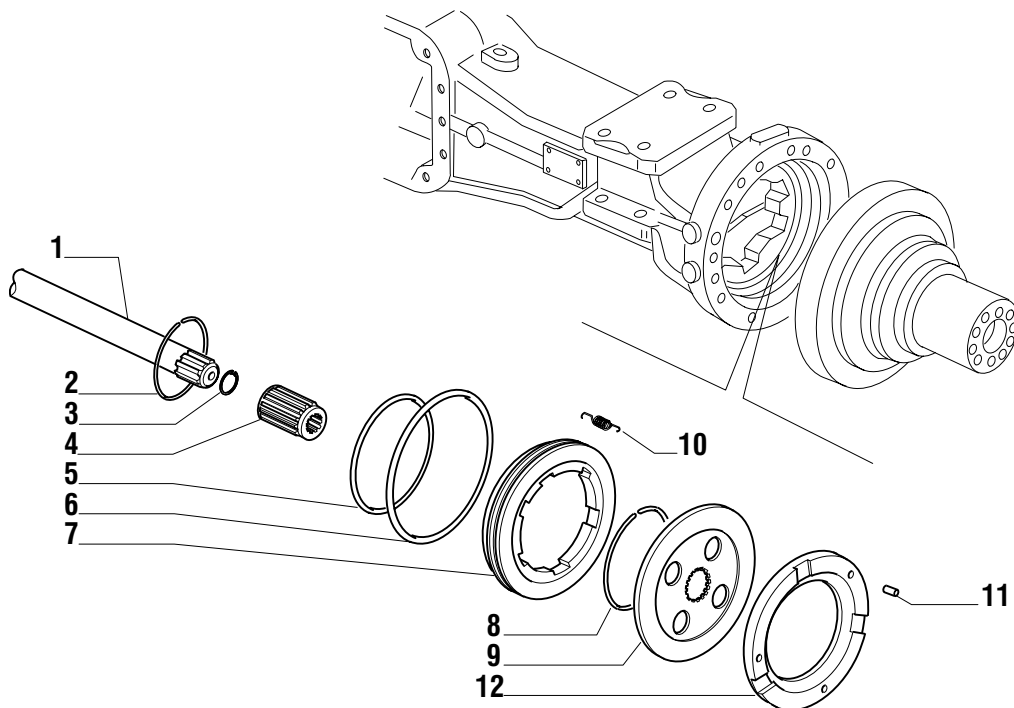
Pos.	Ref.	Q.	Description	Pos.	Ref.	Q.	Description
1	065679	1	Bevel gear/pinion set Z=13/37				
2	117140	1	Ring nut				
3	125545	1	Washer				
4	125831	1	Washer				
5	126142	1	Collapsible spacer				
6	121043	-	Shim 2,5mm				
6	121044	-	Shim 2,6mm				
6	121045	-	Shim 2,7mm				
6	121046	-	Shim 2,8mm				
6	121047	-	Shim 2,9mm				
6	121048	-	Shim 3,0mm				
6	113346	-	Shim 3,1mm				
6	113347	-	Shim 3,2mm				
6	113348	-	Shim 3,3mm				
6	113349	-	Shim 3,4mm				
7	027396	1	Bearing				
8	027351	1	Bearing				
9	123430	1	Washer				
10	028557	1	O.ring				
11	123923	1	Flange				
12	123921	1	Washer				
13	123918	1	Bolt M12x1,25x25				
14	022861	4	Washer D.12				
15	021134	4	Bolt M12x1,25x25				
16	123915	-	Shim 0,05mm				
16	123916	-	Shim 0,10mm				
16	123917	-	Shim 0,20mm				



MOD. N. 5212

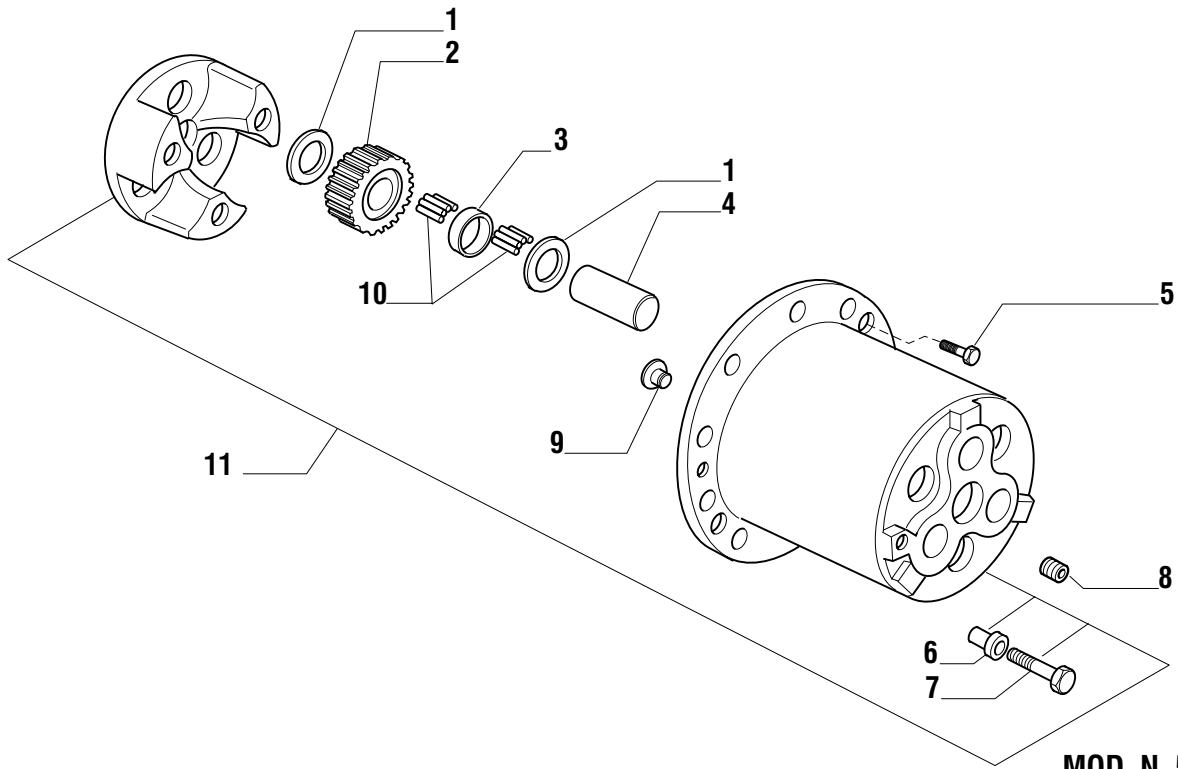
FROM SERIAL N° 101

Pos.	Ref.	Q.	Description	Pos.	Ref.	Q.	Description
1	066312	1	Differential kit				
2	117171	4	Thrust washer				
3	133035	2	Shaft				
4	133036	2	Thrust washer				
5	125065	2	Centering pin D.14x40				
6	125064	10	Bolt				
7	027367	2	Bearing				
8	125445	2	Ring nut				
9	125033	1	Spacer				
10	125777	1	Housing				
11	065784	1	Differential assy				



FROM SERIAL N° 101

Pos.	Ref.	Q.	Description	Pos.	Ref.	Q.	Description
1	125446	2	Side shaft				
2	124773	2	Lockring				
3	024881	2	Snap ring				
4	121059	2	Sleeve				
5	126047	2	Quadring D.266,7x3,4x4,1				
6	126048	2	Quadring D.304,7x3,4x4,1				
7	126054	2	Piston				
8	124786	2	Lockring				
9	119363	2	Brake disc				
10	124014	24	Spring				
11	120132	12	Pin				
12	126008	2	Reaction plate				



Pos.	Ref.	Q.	Description	Pos.	Ref.	Q.	Description
1	125050	12	Thrust washer				
2	125053	6	Planetary gear				
3	125048	6	Washer				
4	125089	6	Shaft				
5	020778	4	Screw M8x20				
6	128049	3	Centering bush D.28				
7	125062	3	Bolt				
8	092270	2	Oil plug				
9	115682	2	Thrust washer				
10	028298	38,4	Needle bearing (by tens)				
11	125952	2	Carrier assy (includes ref.125062-128046-128048-128049)				