

OCTOBER '96

7

11

638 FR LD CARRARO AXLE
REF. 128979 - P2948527V
For "POCLAIN"
Spare Parts List

638 FR LD CARRARO AXLE REF. 128979 - P2948527V

For "POCLAIN"

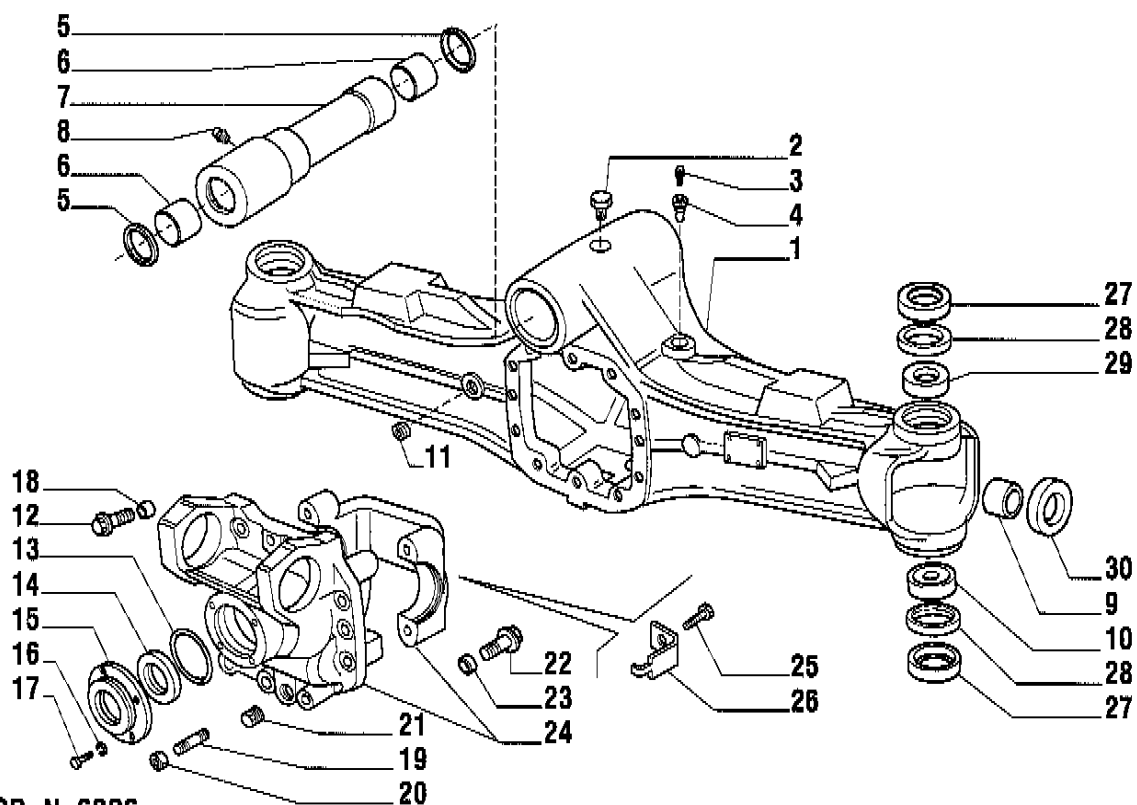
SPARE PARTS LIST

INDEX OF PAGES

- 1.2 Axle housing
- 2.1 Swivel Housing - Wheel Hub
- 3.1 Bevel gear/Plinion set
- 4.2 Differential
- 5.0 Steering Cylinder - Tie Rod
- 6.0 Drive Shafts
- 7.1 Epicyclic Reduction Gears

638 FR LD CARRARO AXLE ref. 128979**Axle housing**

1.2

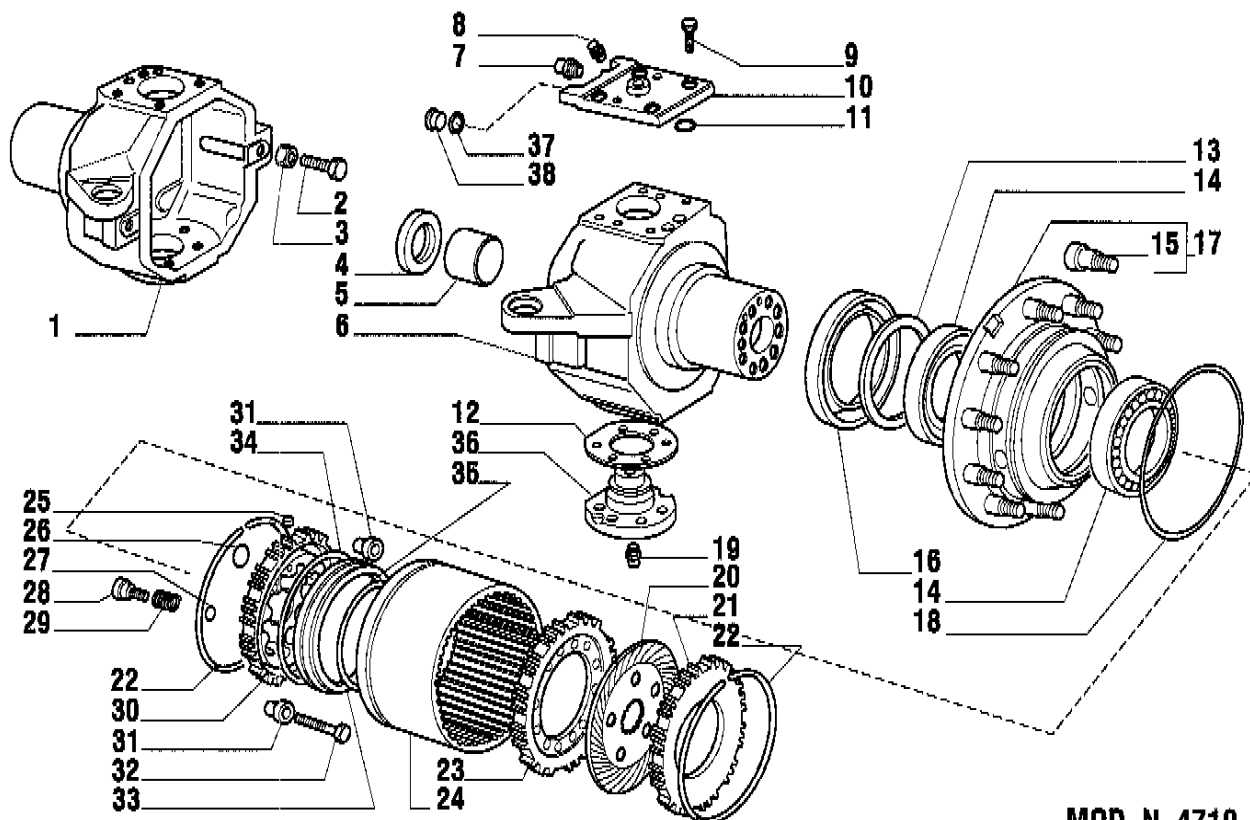
**MOD. N. 6326**

Pos.	Ref.	Q.ty	Description	Pos.	Ref.	Q.ty	Description
1	121795	1	Axle housing	28	025125	4	Lip seal
2	121103	1	Screw M6x12	29	125047	2	Bush
3	030765	1	Breather plug M10x1	30	116723	2	Oil seal 42x62x14
4	121618	1	Extension for breather				
5	025124	2	Seal				
6	119926	2	Bush 55x60x60				
7	129996	1	Shaft				
8	024260	1	Greaser nipple M10x1				
9	119927	2	Bush 42x46x40				
10	027694	2	Spherical bearing				
11	021565	1	Plug M22x1.5				
12	125827	9	Bolt M12x1.75x33				
13	028567	1	O.ring				
14	125442	1	Oil seal 65x92x14				
15	123847	1	Cover				
16	022856	4	Grower washer D.8				
17	021393	4	Screw M8x25				
18	117270	2	Centering bush				
19	125361	3	Stud				
20	022414	3	Nut M12x1.25 (self lock.)				
21	092270	1	Plug M22x1.5				
22	126064	4	Bolt M16x95				
23	094205	4	Bush				
24	125353	1	Differential support assy				
25	128440	2	Screw M6x10 (self lock.)				
26	118975	2	Locking plate				
27	121104	4	Cover				

638 LD CARRARO AXLE ref. 128979

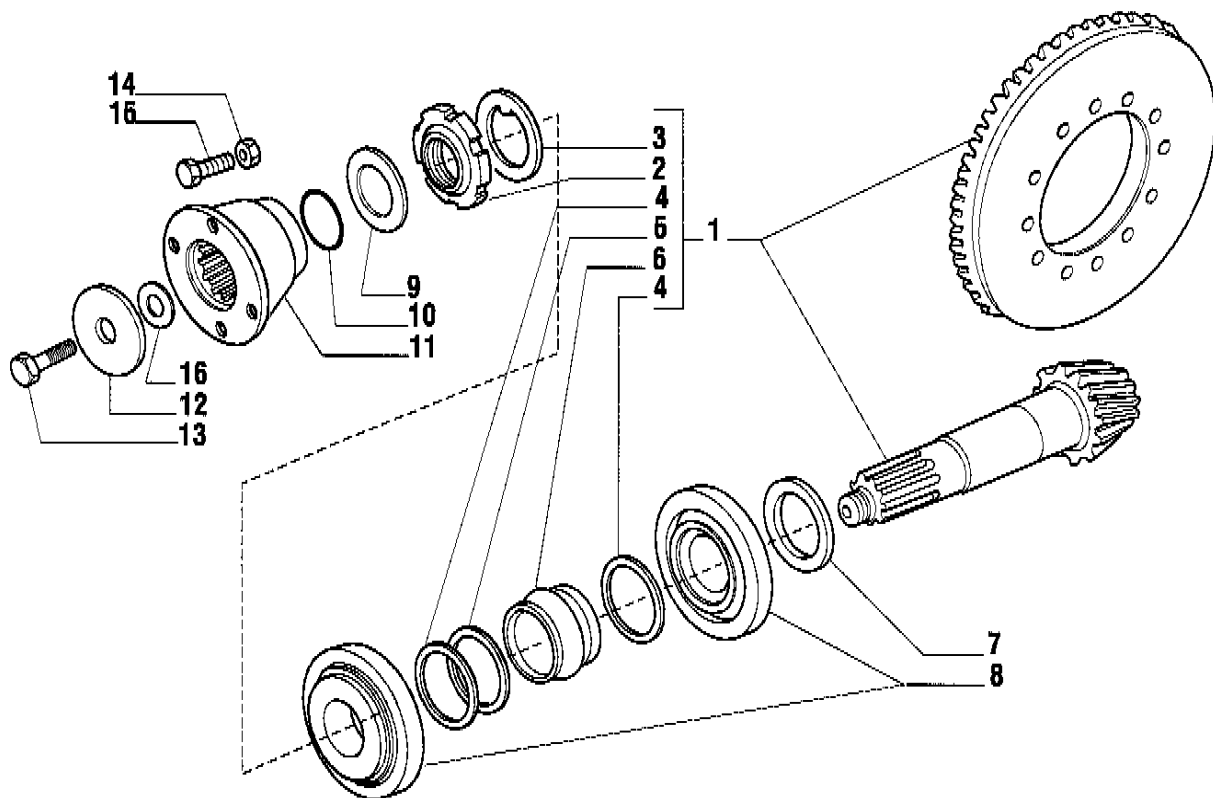
Swivel Housing - Wheel Hub

**2.1
Up-dated march '96**

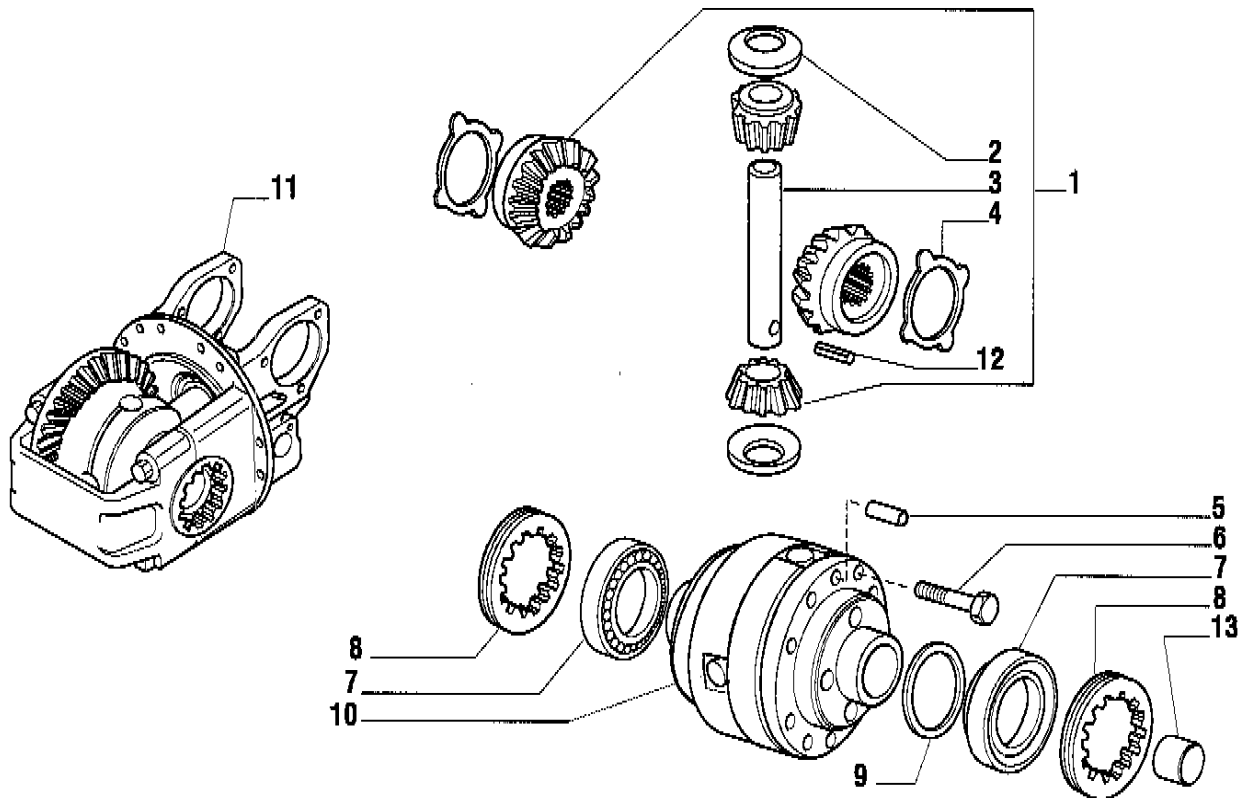


MOD. N. 4719

Pos.	Ref.	Q.	Description	Pos.	Ref.	Q.	Description
1	128963	1	Swivel housing L.H.	27	125883	24	Lock ring
2	117357	4	Bolt M14x60	28	125882	24	Pin
3	022131	4	Nut M.14	29	125881	24	Spring
4	121016	2	Oil seal 48x74x13	30	125850	2	Wheel carrier
5	119908	2	Bush	31	125189	2	Centering bush D.24
6	126982	1	Swivel housing R.H.	31	125190	18	Centering bush D.20
7	125884	2	Breather	32	119906	20	Bolt M14x1,5x65 (self lock.)
8	024260	2	Greaser nipple M10x1	33	125874	2	Brake piston
9	126922	20	Bolt M14x2x35 (self lock)	34	125885	2	Quadring 179,6x3,4
10	125780	2	King pin	35	125886	2	Quadring 204,6x3,4
11	028576	4	O.ring	36	120001	2	King pin
12	122017	-	Shlm Th=0,1mm	37	122816	2	Washer
12	122018	-	Shlm Th=0,3mm	38	030741	2	Oil plug M14x1,5
13	125878	2	Spacer				
14	119970	4	Bearing				
15	125046	20	Stud M22x1,5				
16	047710	2	Cassette seal				
17	085744	2	Wheel hub				
18	028579	2	O. ring				
19	024262	2	Greaser nipple M10x1				
20	125855	2	Brake disc				
21	125832	2	Reaction plate				
22	125061	4	Ring				
23	125849	2	Reaction plate				
24	125856	2	Crown gear				
25	021530	4	Screw M6x8				
26	028595	4	O. ring				

638 LD CARRARO AXLE ref. 128979**Bevel gear/Pinion set****3.1****MOD. N. 5728**

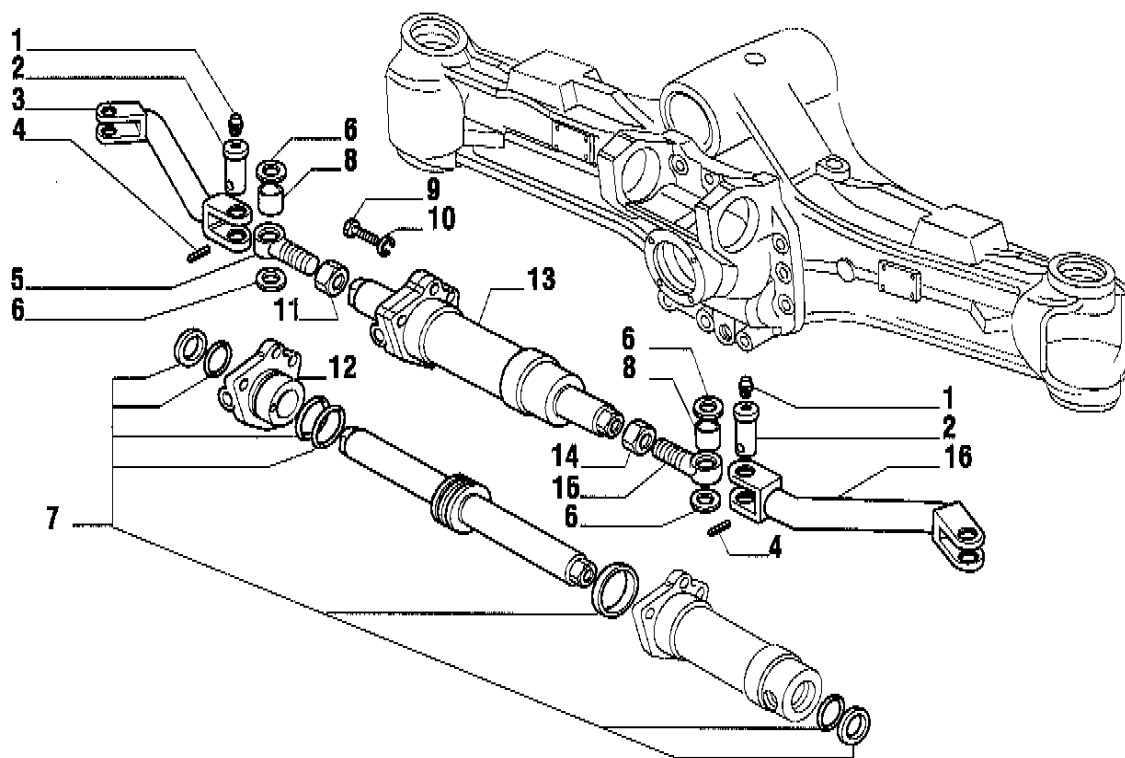
Pos.	Ref.	Q.	Description	Pos.	Ref.	Q.	Description
1	085678	1	Bevel gear/pinion set Z=13/37				
2	117140	1	Ring nut				
3	125545	1	Washer				
4	125831	2	Washer				
5	126018	1	Washer				
6	126808	1	Collapsible spacer				
7	134186	-	Shim 2,5mm				
7	134187	-	Shim 2,6mm				
7	132188	-	Shim 2,7mm				
7	132189	-	Shim 2,8mm				
7	132190	-	Shim 2,9mm				
7	132191	-	Shim 3,0mm				
7	132192	-	Shim 3,1mm				
7	132193	-	Shim 3,2mm				
7	132194	-	Shim 3,3mm				
7	132195	-	Shim 3,4mm				
8	027351	2	Bearing				
9	123430	1	Washer				
10	028557	1	O.ring				
11	123923	1	Flange				
12	123921	1	Washer				
13	123918	1	Bolt M12x1,25x25				
14	022861	4	Washer D.12				
15	021134	4	Bolt M12x1,25x25				
16	123915	-	Shim 0,05mm				
16	123916	-	Shim 0,10mm				
16	123917	-	Shim 0,20mm				

638 LD CARRARO AXLE ref. 128979**Differential****4.2****MOD. N. 5212**

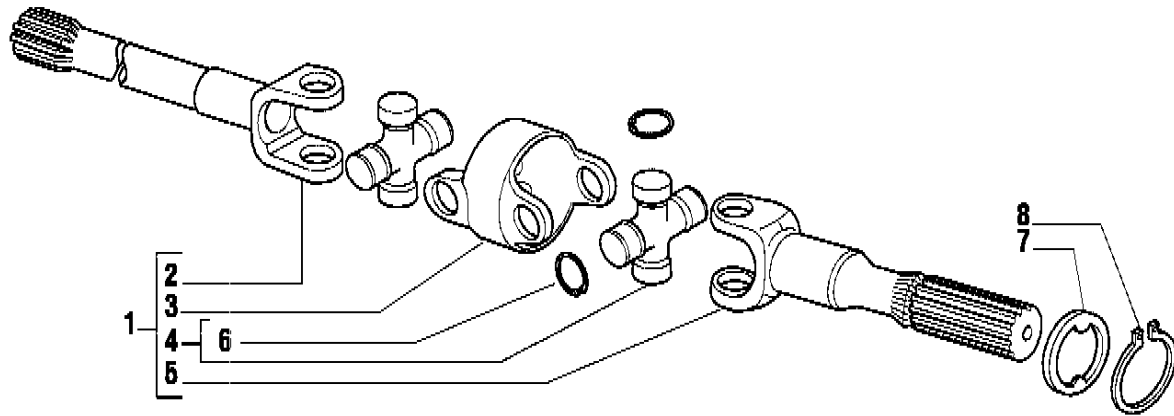
Pos.	Ref.	Q.	Description	Pos.	Ref.	Q.	Description
1	066198	1	Differential kit				
2	117171	2	Thrust washer				
3	127907	1	Shaft				
4	133036	2	Thrust washer				
5	125065	2	Centering pin D.14x40				
6	126064	10	Bolt				
7	027387	2	Bearing				
8	125445	2	Ring nut				
9	125033	1	Spacer				
10	127547	1	Housing				
11	065773	1	Differential assy				
12	024430	1	Pin 8x40				
13	124062	2	Bush				

638 LD CARRARO AXLE ref. 128979**Steering Cylinder - Tie Rod**

5.0

Up-dated march '96

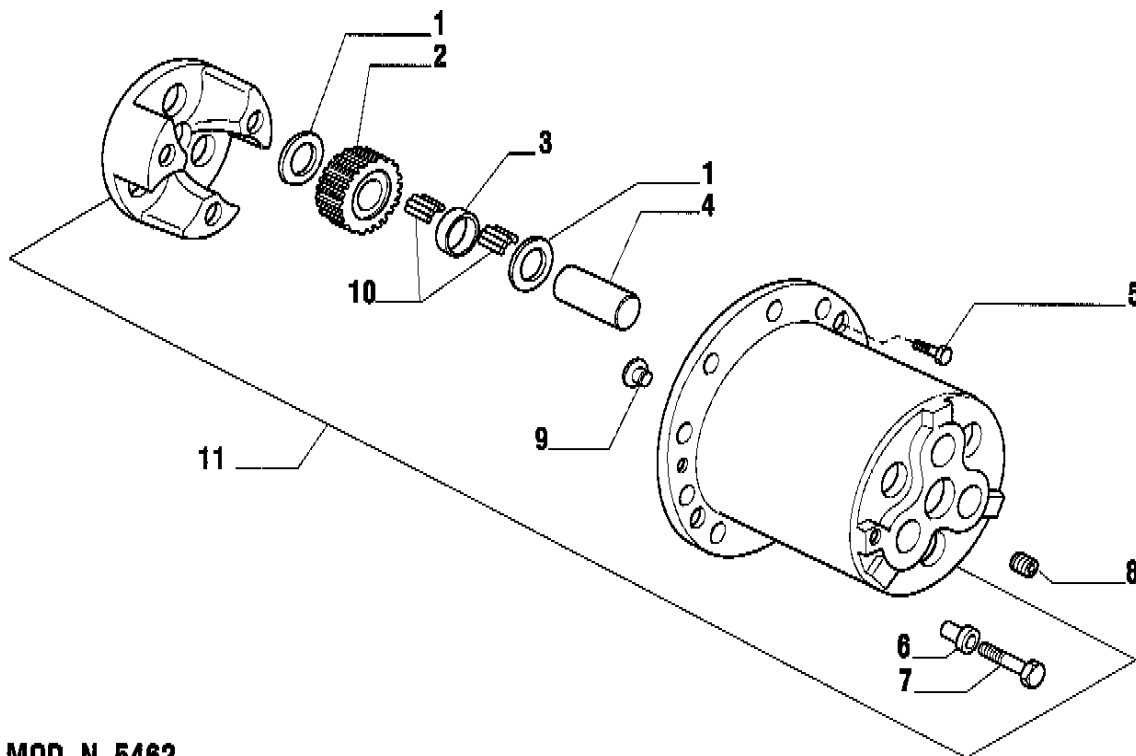
Pos.	Ref.	Q.	Description	Pos.	Ref.	Q.	Description
1	024260	4	Greaser nipple M10x1				
2	121053	4	Pin				
3	121888	1	Tie Rod L.H.				
4	024430	4	Pin 8x40				
5	121067	1	Shaft threaded L.H.				
6	121054	8	Washer				
7	049034	1	Gasket kit				
8	119951	4	Bush				
9	021011	3	Screw				
10	022864	3	Washer D.16				
11	121108	1	Nut threader M36x1,5 L.H.				
12	124217	1	Flange				
13	120998	1	Cylinder				
14	121105	1	Nut threader M36x1,5 R.H.				
15	121055	1	Shaft threader R.H.				
16	121885	1	Tie rod R.H.				

638 LD CARRARO AXLE ref. 128979**Drive Shafts****6.0
Up-dated march '96**

Pos.	Ref.	Q.	Description	Pos.	Ref.	Q.	Description
1	128978	2	Drive shaft				
2	040908	2	Fork (Differential Side)				
3	040907	2	Central body				
4	040912	4	Spider				
5	040906	2	Fork (Wheel Side)				
6	040877	16	Snap ring				
7	125043	2	Washer				
8	024809	2	Lock ring				

638 LD CARRARO AXLE ref. 128979**Epicyclic Reduction Gear**

7.1

**MOD. N. 5462**

Pos.	Ref.	Q.	Description	Pos.	Ref.	Q.	Description
1	125050	12	Thrust washer				
2	125053	6	Planetary gear				
3	125048	6	Washer				
4	125089	6	Shaft				
5	020778	4	Screw M8x20				
6	128049	6	Centering bush				
7	125082	6	Screw M20x80				
8	092270	2	Oil plug				
9	115882	2	Thrust washer				
10	028298	38,4	Needle bearing (by tens)				
11	125952	2	Carrier assy (includes ref.125062-128049)				