



CARRARO

Catalogo Parti Di Ricambio

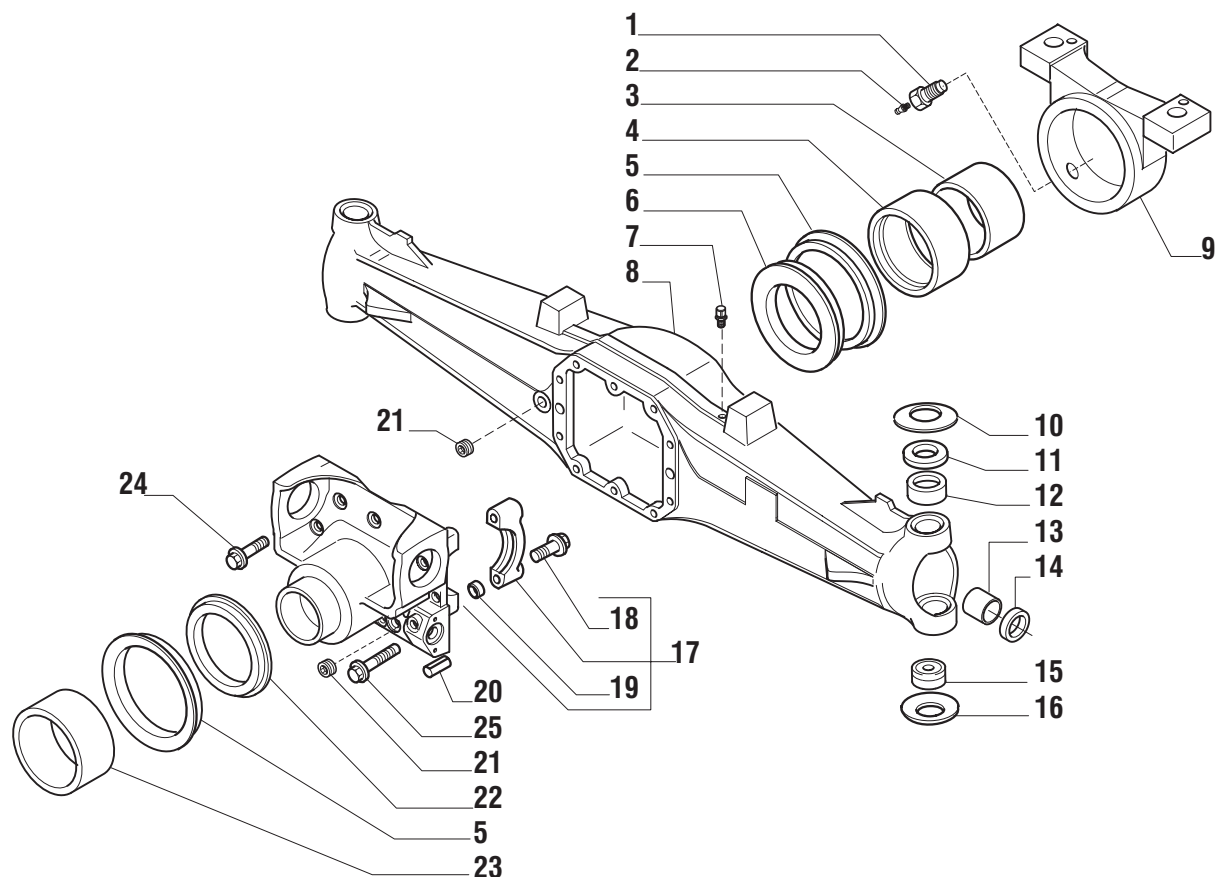
Spare Parts List

ASSALE 20.16

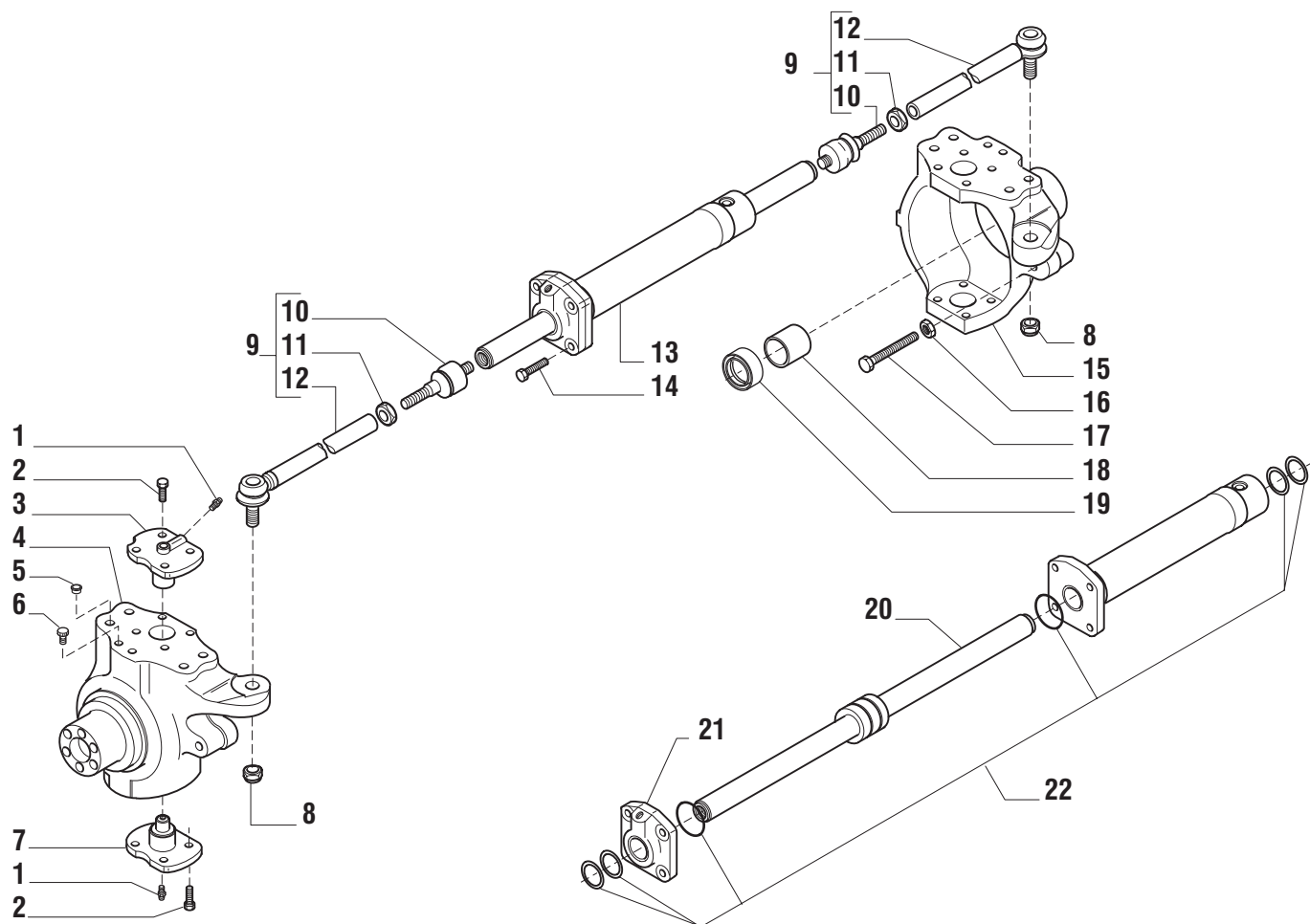
20.16 AXLE

REF. 129947

- 1.0.1 Corpo assale
Axle housing
- 2.0.1 Calotte e cilindro di sterzo
Swivel housings and steering cylinder
- 3.0.1 Coppia conica
Bevel gear set
- 4.0.1 Differenziale
Differential
- 5.0.0 Bloccaggio differenziale
Differential locking
- 6.0.1 Doppio giunto
Double U-joint
- 7.0.1 Mozzo ruota e riduzione epicicloidale
Wheel hub and final reduction
- 8.0.0 Sommario kit
Kit summary



Pos.	Ref.	Q.ty	Descrizione	Description	Kit	Note
1	126634	1	Vite forata	Bolt		
2	024210	1	Ingrassatore M6x1	Greaser nipple M6x1		
3	101565	1	Boccola	Bush		
4	101575	1	Boccola	Bush		
5	028215	2	Anello V-ring	V-ring		
6	127376	1	Ralla	Thrust washer		
7	104988	1	Sfiato M10x1	Breather M10x1		
8	144376	1	Trave	Axle housing		was 129980
9	127322	1	Supporto anteriore	Front support		
10	125813	2	Molla tazza	Belleville washer		
11	131275	2	Spessore registro	Spacer		
12	124615	2	Boccola	Bush		
13	118504	2	Bronzina	Bush		
14	126398	2	Anello tenuta	Seal ring		was 118516
15	027692	2	Snodo sferico	Spherical bearing		
16	128629	2	Molla tazza	Belleville washer		
17	129002	1	Supporto differenziale	Differential support		
18	126022	4	Vite	Bolt		
19	072235	4	Bussola	Bush		
20	087660	2	Spina D15x35	Pin D15x35		
21	128050	2	Tappo M24x1.5	Plug M24x1.5		
22	127372	1	Ralla	Thrust washer		
23	127374	1	Boccola	Bush		
24	125827	5	Vite M12x33	Bolt M12x33		
25	126334	5	Vite M12x75	Bolt M12x75		



Pos.	Ref.	Q.ty	Descrizione	Description	Kit	Note
1	024210	4	Ingrassatore M6x1	Greaser nipple M6x1		
2	126921	16	Vite M12x30	Bolt M12x30		
3	128904	2	Perno snodo	King pin		
4	144381	1	Calotta SX	Swivel housing LH		was 129967
5	030755	8	Tappo D14.5	Plug D14.5		
6	030740	2	Tappo M10x1	Plug M10x1		
7	128903	2	Perno snodo	King pin		
8	022437	2	Dado M18x1.5	Nut M18x1.5		
9	129988	2	Asta guida	Steering arm assy		
10	350440	2	Snodo sferico	Ball joint	129988	
11	022183	2	Dado M18x1.5	Nut M18x1.5	129988	
12	350643	2	Tirante	Tie rod	129988	
13	138272	1	Martinetto	Steering cylinder		
14	128534	4	Vite M12x45	Bolt M12x45		
15	144380	1	Calotta DX	Swivel housing RH		was 129966
16	022129	2	Dado M16	Nut M16		
17	127223	2	Vite M16x75	Bolt M16x75		
18	125390	2	Bronzina	Bush		
19	144485	2	Anello di tenuta	Seal ring		was 123208
20	049067	1	Stelo completo	Rod	138272	
21	049068	1	Testata martinetto	Cylinder head	138272	
22	049183	1	Kit guarnizioni	Seal kit	138272	

