

SEPTEMBER '95

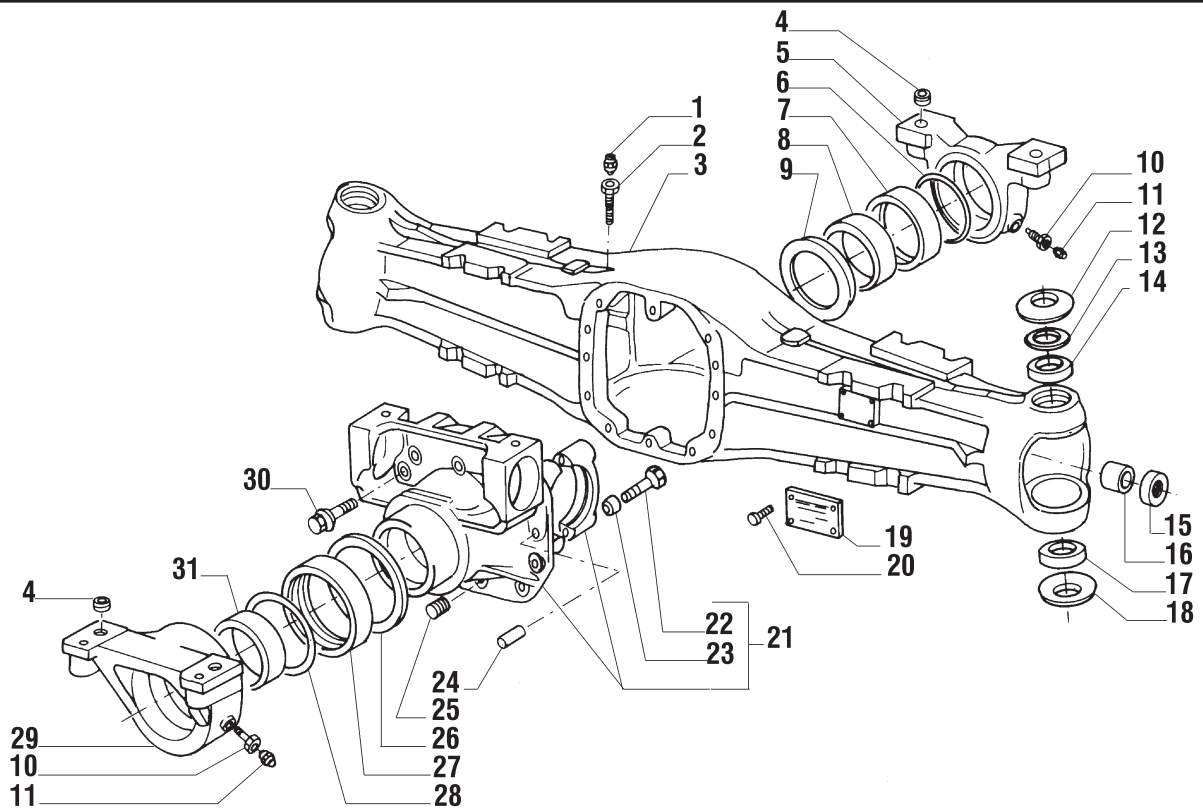
26.32 FR CARRARO AXLE REF. 130880
For "MATBRO"
Spare Parts List

26.32 FR CARRARO AXLE REF. 130880
for "MATBRO"

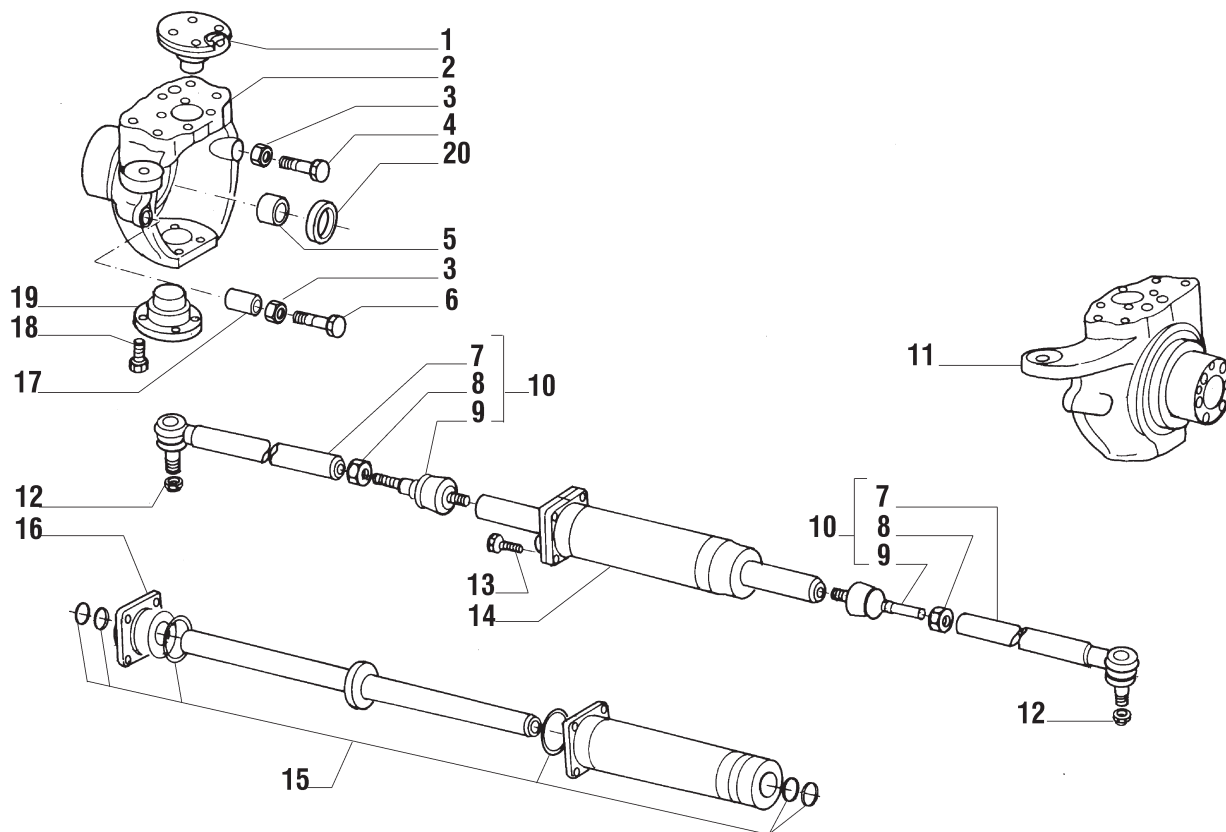
SPARE PARTS LIST

INDEX OF PAGES

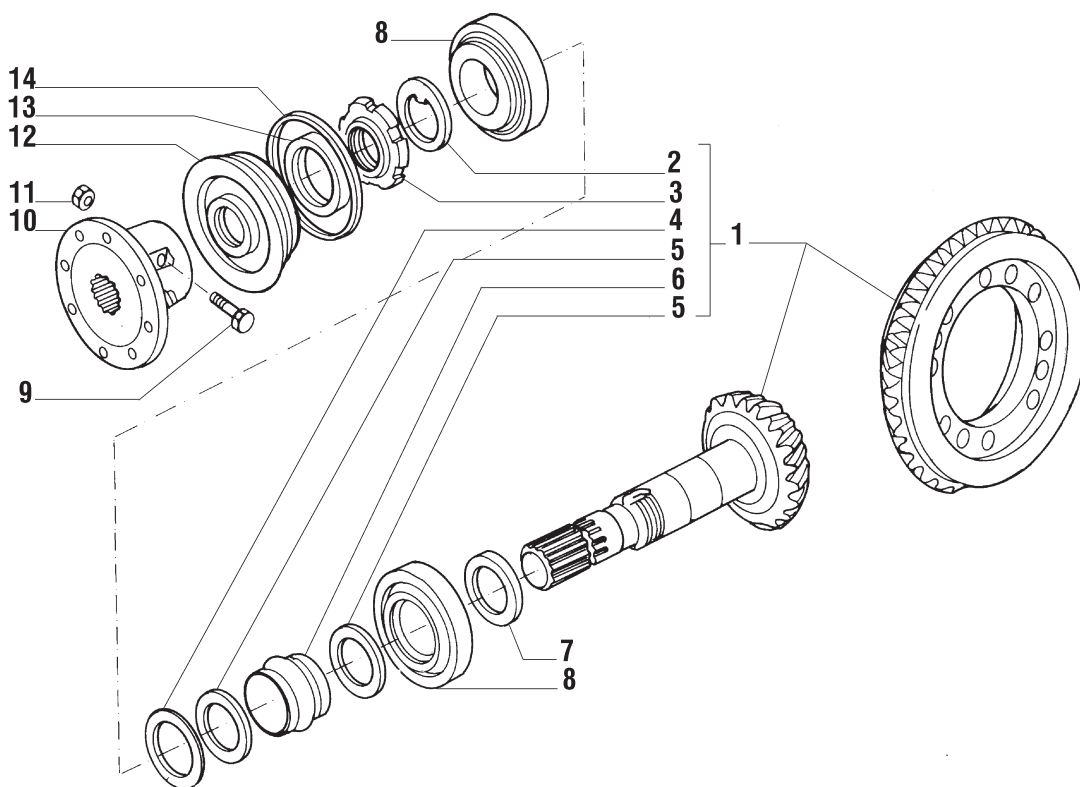
- 1.0 Axle housing
- 2.0 Swivel housing and steering cylinder
- 3.0 Bevel gear/pinion set
- 4.0 Differential
- 5.0 Drive shafts
- 6.0 Wheel hub and brakes
- 7.0 Epicyclic reduction gears



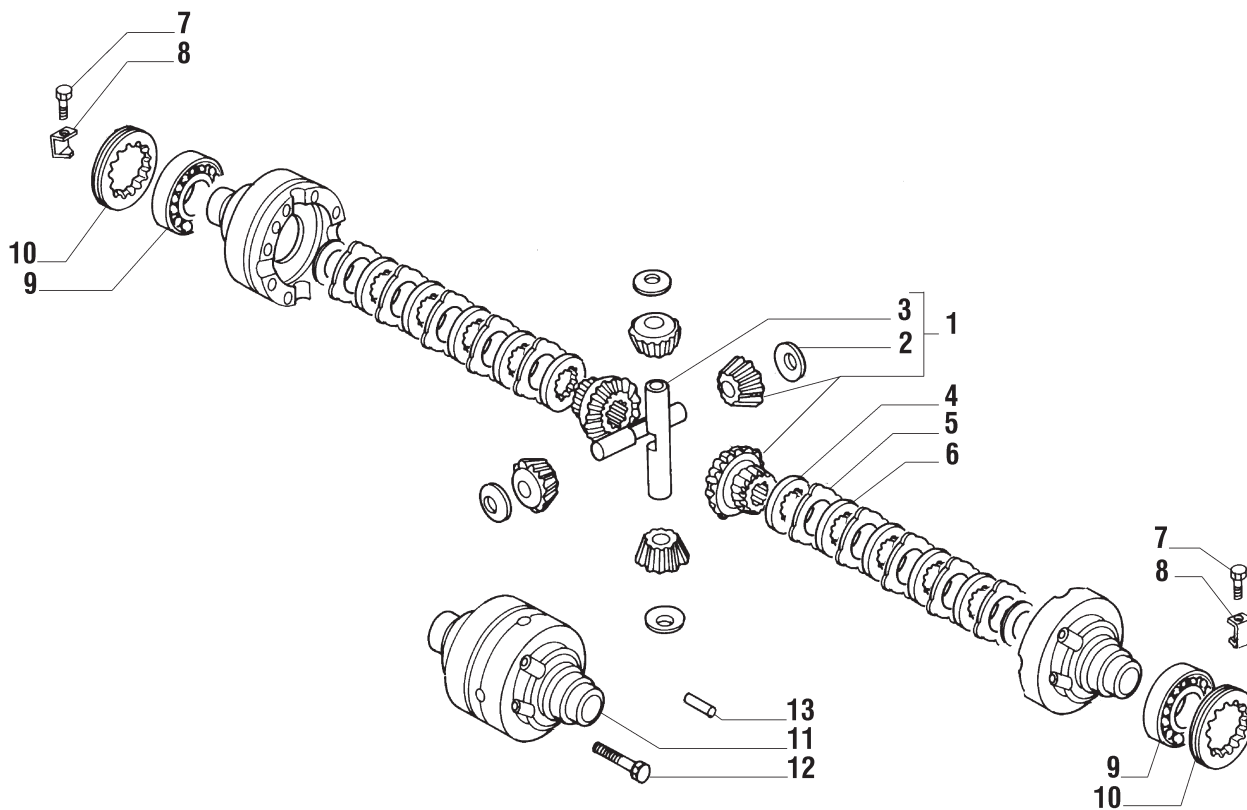
Pos.	Ref.	Q.	Description	Pos.	Ref.	Q.	Description
1	104988	1	Breather M10x1	28	028193	1	O.ring
2	121618	1	Extension for breather	29	123465	1	Rear support
3	134902	1	Axle housing	30	125827	10	Bolt M12x33
4	116529	4	Centering bush	31	124661	1	Inner bushing
5	119418	1	Front support				
6	028103	1	O.ring				
7	101575	1	Outer bushing				
8	101565	1	Inner bushing				
9	115776	1	Thrust washer				
10	116530	2	Bolt				
11	024258	2	Greaser nipple M8x1				
12	128632	2	Belleville washer				
13	131276	2	Spacer washer				
14	123660	2	Bush				
15	118675	2	Oil seal 40x55x10				
16	116962	2	Bush				
17	027693	2	Bearing				
18	128631	2	Belleville washer				
19	123147	1	Plate				
20	023827	4	Rivet D.3,2				
21	127451	1	Differential support				
22	126064	4	Bolt M16x95				
23	094205	4	Centering bush				
24	125428	2	Centering pin				
25	092270	2	Oil plug				
26	124660	1	Thrust washer				
27	118098	1	Bushing				



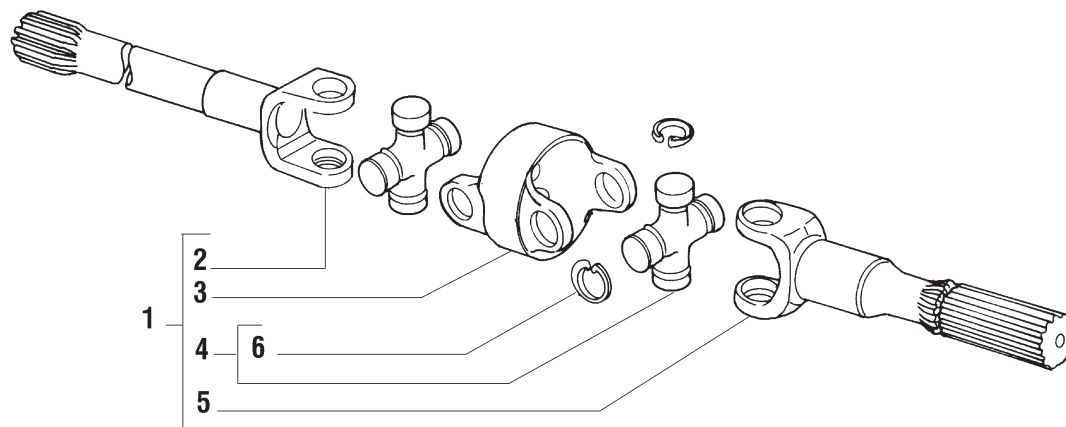
Pos.	Ref.	Q.	Description	Pos.	Ref.	Q.	Description
1	130434	2	King pin				
2	130432	1	Swivel housing L.H.				
3	022131	4	Nut M.14				
4	117357	2	Bolt M14x60				
5	114347	2	Bushing				
6	122576	2	Bolt M14x75				
7	350898	2	Ball joint (L.H. threaded)				
8	070787	2	Nut M24x1,5				
9	049013	2	Ball joint (R.H. thread)				
10	130885	2	Steering arm assy				
11	130433	1	Swivel housing R.H.				
12	022431	2	Nut M20x1 (Self Locking)				
13	128534	4	Bolt M12x45				
14	127452	1	Steering cylinder				
15	049128	1	Oil seal kit				
16	049127	1	Cylinder head				
17	126003	2	Bush				
18	126923	16	Bolt				
19	130428	2	King pin				
20	118675	2	Oil seal 40x55x10				



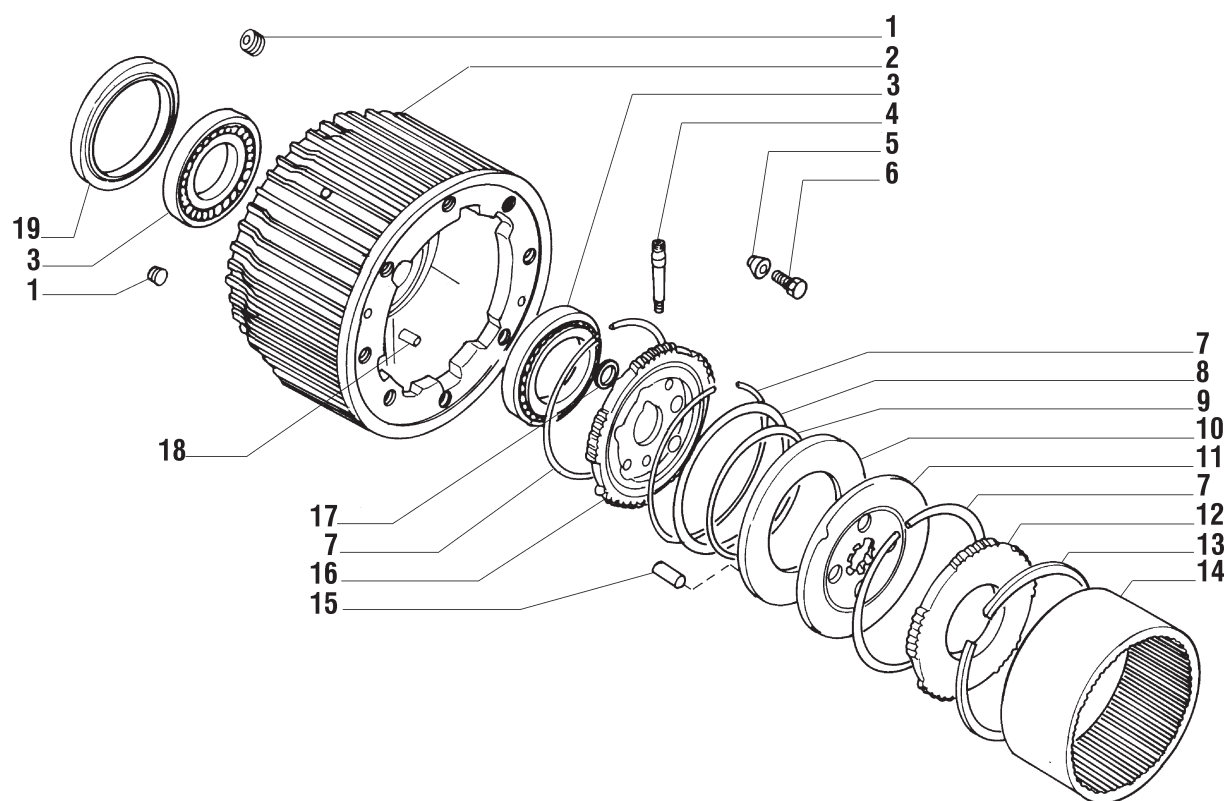
Pos.	Ref.	Q.	Description	Pos.	Ref.	Q.	Description
1	065754	1	Bevel gear/pinion set Z=9/37				
2	125545	1	Lockwasher				
3	117140	1	Ring nut M45x1,5				
4	126018	1	Collapsible washer				
5	125831	2	Collapsible washer				
6	125808	1	Collapsible spacer				
7	134186	-	Shim 2,50mm				
7	134187	-	Shim 2,60mm				
7	134188	-	Shim 2,70mm				
7	134189	-	Shim 2,80mm				
7	134190	-	Shim 2,90mm				
7	134191	-	Shim 3,00mm				
7	134192	-	Shim 3,10mm				
7	134193	-	Shim 3,20mm				
7	134194	-	Shim 3,30mm				
7	134195	-	Shim 3,40mm				
8	027351	2	Bearing 31309				
9	021105	2	Bolt M10x60				
10	116525	1	Flange				
11	022411	2	Nut M10x1,25 (Self locking)				
12	123352	1	Bush				
13	118674	1	Oil seal 35x50x10				
14	028162	1	O.ring				



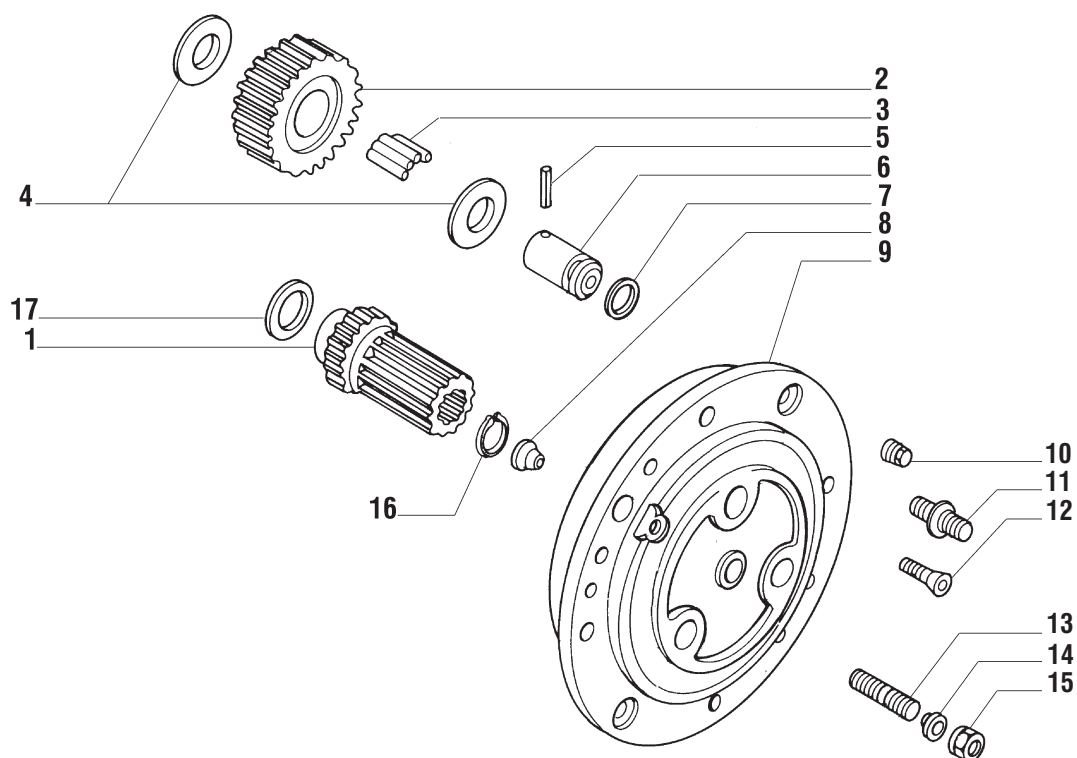
Pos.	Ref.	Q.	Description	Pos.	Ref.	Q.	Description
1	066165	1	Differential kit				
2	117171	4	Thrust washer				
3	133035	2	Shaft				
4	113883	2	Thrust plate				
5	113880	10	Driven plate				
6	113879	8	Driven plate				
7	128440	2	Screw				
8	107778	2	Locking plate				
9	027307	2	Bearing				
10	125445	2	Ring nut				
11	117618	1	Housing				
12	125551	10	Bolt H.H. M.12x90				
13	117569	2	Pin D12x40				



Pos.	Ref.	Q.	Description	Pos.	Ref.	Q.	Description
1	129008	2	Drive shaft				
2	040797	1	Half shaft (wheel side)				
3	040777	2	Central body				
4	040869	4	Spider				
5	040859	2	Half shaft (differential side)				
6	040822	16	Lock ring				



Pos.	Ref.	Q.	Description	Pos.	Ref.	Q.	Description
1	021565	4	Drain plug M.22x1,5				
2	121252	2	Wheel hub				
3	118370	4	Bearing				
4	121333	2	Breather				
5	125189	2	Centering bush D.24				
5	125190	14	Centering bush D.20				
6	119906	16	Bolt M14x1,5x65 /Self locking)				
7	117107	6	Lockring				
8	120209	2	Quadring D. 230 mm				
9	121271	2	Quadring 178,6x3,5				
10	121270	2	Piston				
11	121254	2	Brake disk				
12	121301	2	Reaction plate				
13	025051	2	Lockring				
14	121991	2	Crown gear				
15	120132	6	Pin				
16	121342	1	Wheel carrier L.H.				
16	121788	1	Wheel carrier R.H.				
17	028526	2	O. ring				
18	115640	2	Pin D 18x36				
19	047705	2	Cassette seal				



Pos.	Ref.	Q.	Description	Pos.	Ref.	Q.	Description
1	121992	2	Pinion				
2	117180	6	Sun gear				
3	028281	18	Needle bearing (by tens)				
4	028087	12	Thrust washer				
5	024463	6	Split pin D4x50				
6	127738	6	Pinion shaft				
7	028189	6	O. ring				
8	115682	2	Lock pin				
9	127795	2	Planetary carrier				
10	092270	2	Oil plug				
11	121121	4	Stud				
12	020510	4	Screw M12x30				
13	116957	16	Stud				
14	119504	20	Washer				
15	119503	20	Nut				
16	024790	2	Snap ring D.35				
17	120079	2	Thrust washer				