

MARCH '96

**26.09M CARRARO AXLE REF. 130425 - 131727
For "J.I. CASE"
Spare Parts List**

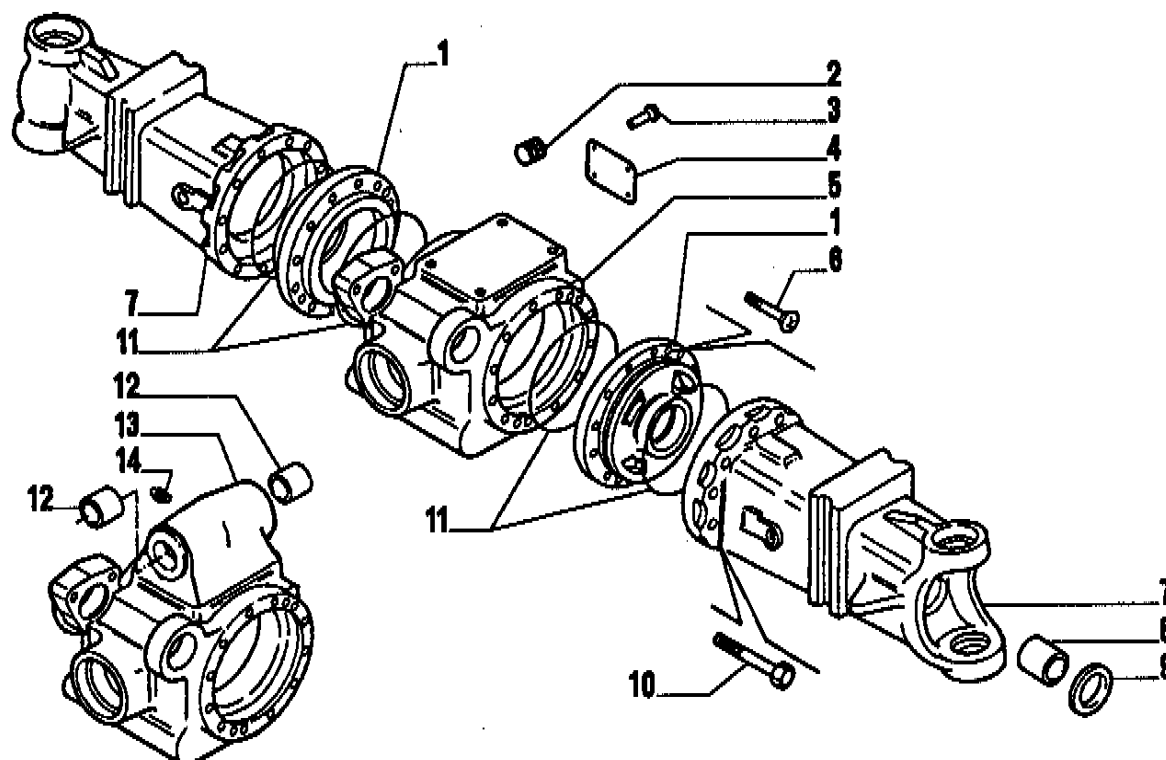
26.09M CARRARO AXLE REF. 130425 - 131727

for "J.I. CASE"

SPARE PARTS LIST

INDEX OF PAGES

- 1.1 Axle Housing
- 2.2 Swivel housing and steering cylinder
- 3.1 Bevel gear/ pinion set
- 4.2 Differential
- 5.0 Drive shaft
- 6.2 Wheel hub and epicyclic reduction gear

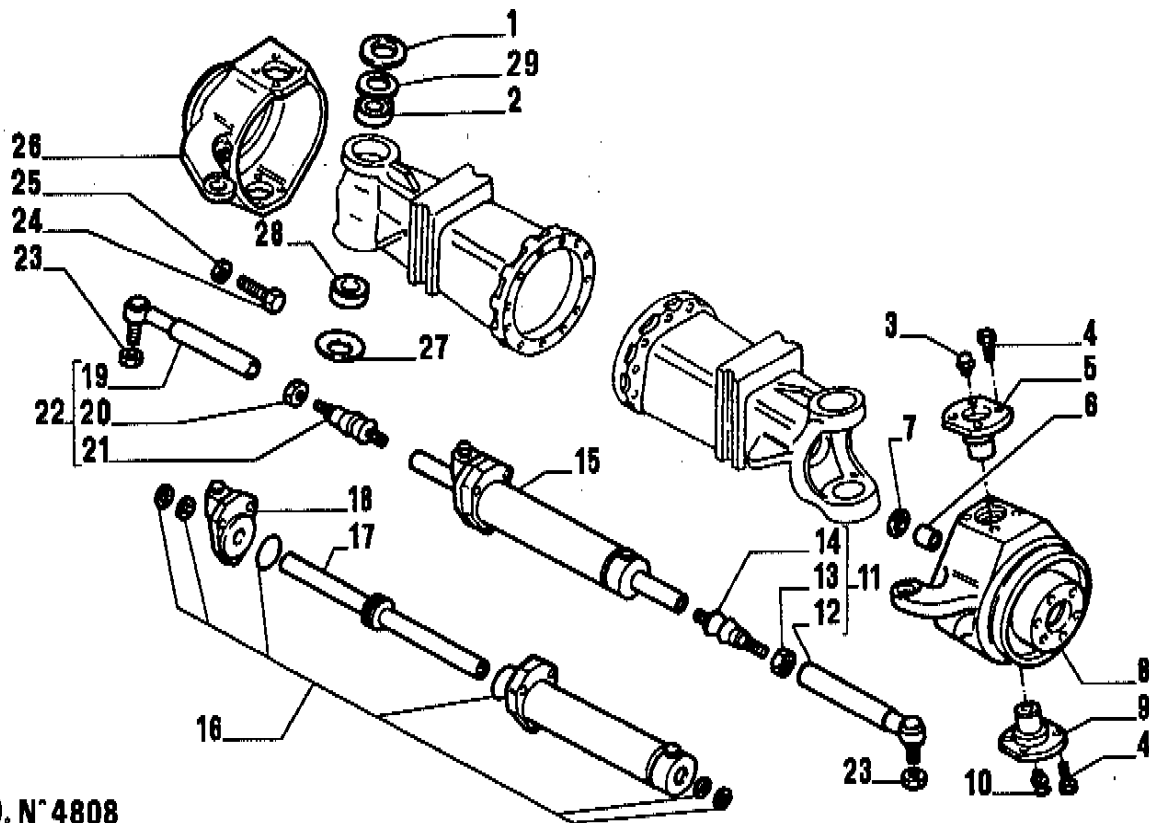
26.09M CARRARO AXLE ref.130425-131727**Axle housing****1.1****MOD. N° 4684**

Pos.	Ref.	Q.ty	Description	Pos.	Ref.	Q.ty	Description
1	130411	2	Flange				
2	128050	4	Drain plug M.24				
3	023827	4	Rivet D.3,2				
4	123147	1	Plate				
5	128614	1	Central housing				
6	020492	4	Screw M8x30 5933				
7	130384	2	Trumpet				
8	118504	2	Bush				
9	118516	2	Oil seal				
10	021159	24	Screw M12x70 5737				
11	028511	4	O.ring 2-164				
12	126745	2	* Bushing				
13	131987	1	* Central housing				
14	024261	1	* Greaser nipple M10x1				

* Valid only for axle ref.131727

26.09M CARRARO AXLE ref.130425-131727**Swivel housing - steering cylinder**

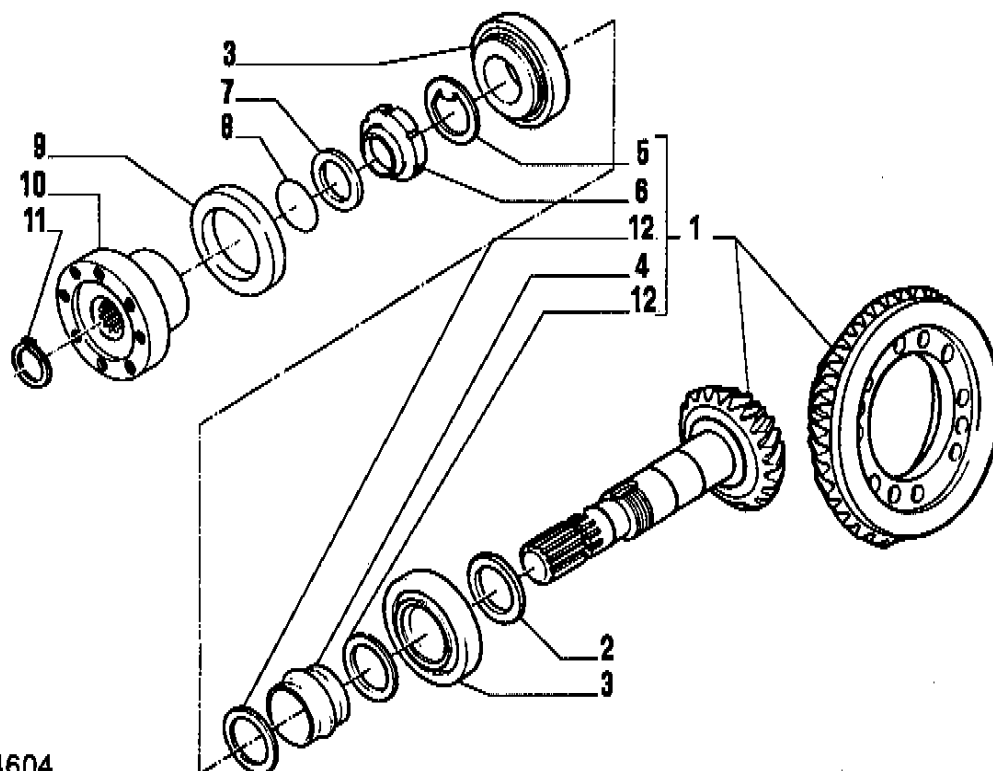
2.2

**MOD. N° 4808**

Pos.	Ref.	Q.ty	Description	Pos.	Ref.	Q.ty	Description
1	125813	2	Belleville washer	28	027692	2	Spherical bearing
2	124615	2	Bush	29	131275	2	Space washer
3	024210	2	Greaser nipple M6x1				
4	127824	16	Bolt M12x25 (Self locking)				
5	128206	2	King pin				
6	118547	2	Bush				
7	116723	2	Oil seal 42x62x14				
8	130420	1	Swivel housing R.H.				
9	128207	2	King pin				
10	024211	2	Greaser nipple M6x1-45°				
11	128474	1	Steering arm assy (R.H.Threaded)				
12	350501	1	Ball joint (R.H.thread)				
13	022183	1	Nut M18x1,5				
14	350505	1	Ball joint (R.H thread)				
15	128358	1	Steering cylinder				
16	049132	1	Oil seal kit				
17	049133	1	Rod				
18	049131	1	Cylinder head				
19	350502	1	Ball joint (L.H. threaded)				
20	342646	1	Nut M18x1,5 (L.H. Thread)				
21	350507	1	Ball joint (L.H.Thread)				
22	128473	1	Steering arm assy (L.H.threaded)				
23	022437	2	Nut M18x1,5 (Self Locking)				
24	127223	2	Bolt M16x75				
25	022129	2	Nut M.16 5589				
26	130421	1	Swivel housing L.H.				
27	128629	2	Belleville washer				

26.09M CARRARO AXLE ref.130425-131727**Bevel gear/Pinion set**

3.1



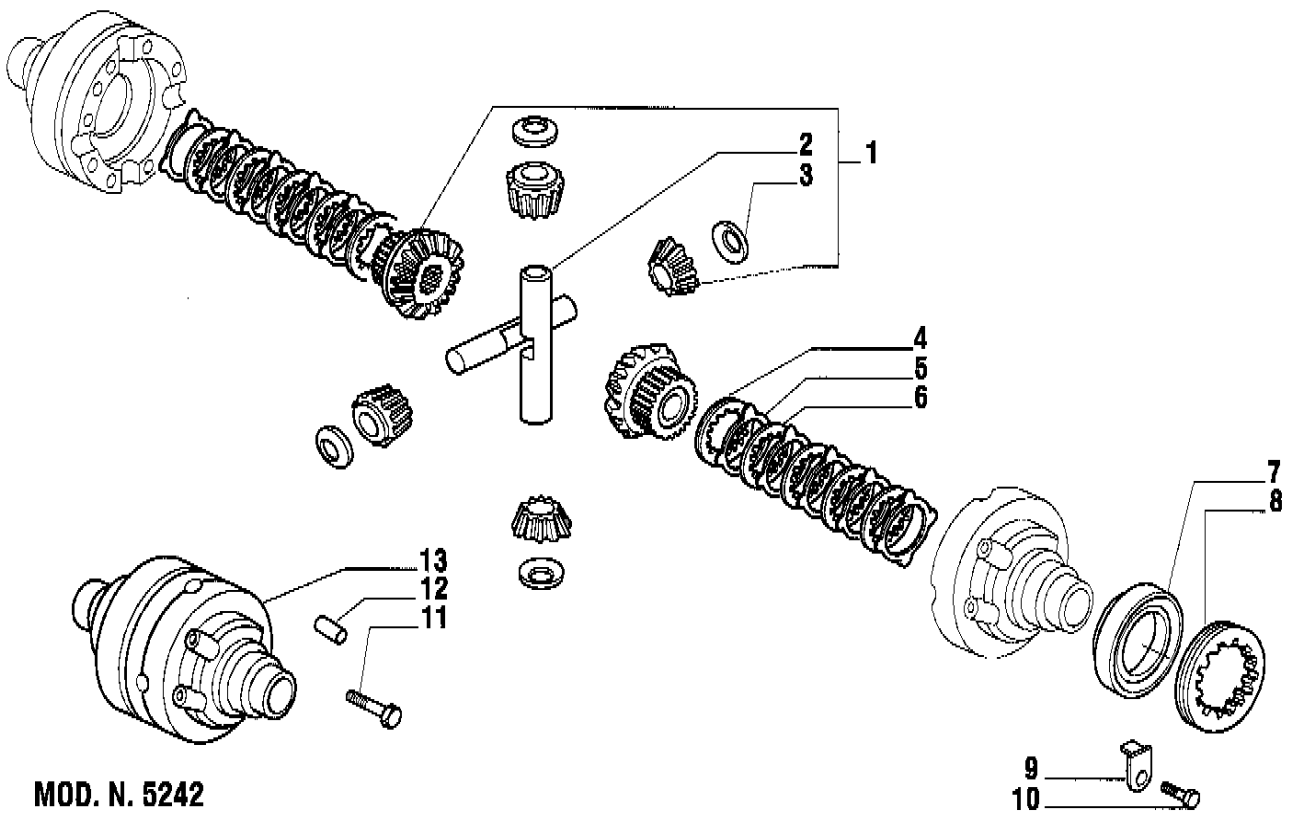
MOD.N.4604

Pos.	Ref.	Q.ty	Description	Pos.	Ref.	Q.ty	Description
1	066019	1	Bevel gear/Pinion set Z=12/30				
2	118450	-	Shim 2,50mm				
2	118452	-	Shim 2,60mm				
2	118454	-	Shim 2,70mm				
2	118456	-	Shim 2,80mm				
2	118458	-	Shim 2,90mm				
2	118460	-	Shim 3,00mm				
2	118462	-	Shim 3,10mm				
2	118464	-	Shim 3,20mm				
2	118466	-	Shim 3,30mm				
2	118468	-	Shim 3,40mm				
3	027372	2	Bearing-32207				
4	128536	1	Collapsible washer				
5	118446	1	Lockwasher				
6	118445	1	Ring nut M35x1,5				
7	123462	1	Thrust washer				
8	028171	1	O. ring 3118 2-123				
9	118899	1	Oil seal 82x58x15				
10	131886	1	Flange				
11	024785	1	Snap ring D.30 DIN 471				
12	125830	2	Washer				

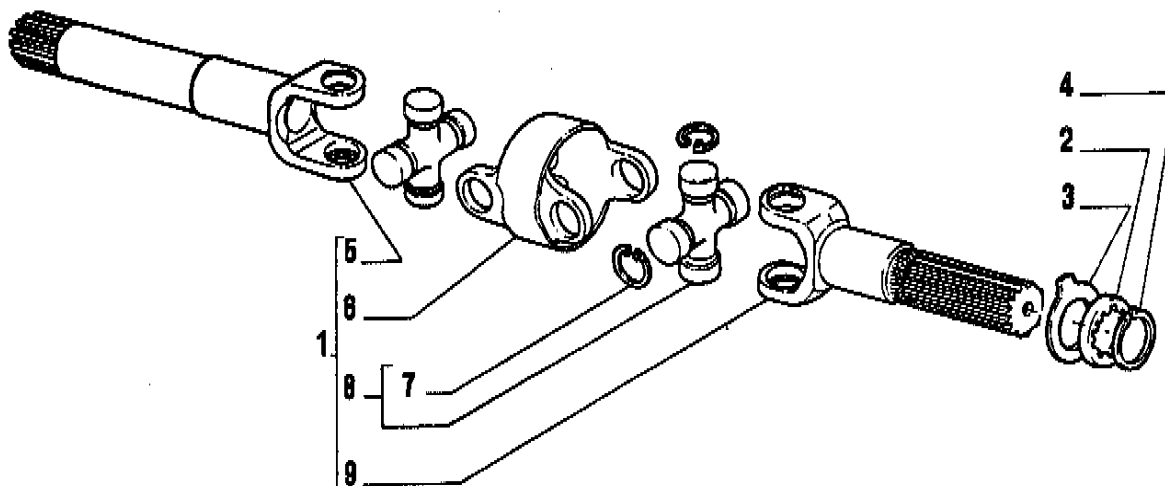
26.09M CARRARO AXLE REF. 130425 - 131727

Differential

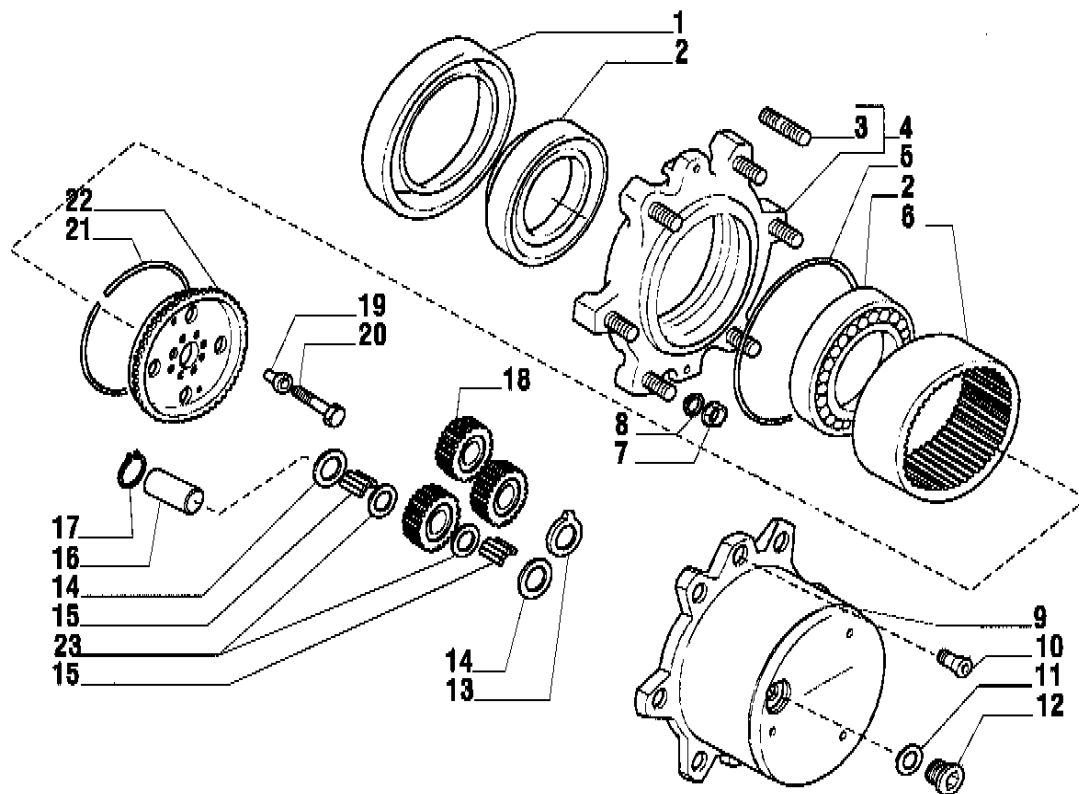
4.2



Pos.	Ref.	Q.	Description	Pos.	Ref.	Q.	Description
1	066162	1	Differential kit				
2	127282	2	Shaft				
3	127283	4	Thrust washer				
4	127280	2	Driving plate				
5	127281	10	Plate				
6	127279	8	Driving plate				
7	027301	2	Bearing				
8	131052	2	Ring nut				
9	128660	2	Locking plate				
10	128440	2	Screw M6x10 (self lock.)				
11	125552	6	Bolt M10x1,5x75 (self lock.)				
12	121018	1	Pin				
13	128809	1	Differential housing				

26.09M CARRARO AXLE ref.130425-131727**Drive shaft****5.0**

Pos.	Ref.	Q.ty	Description	Pos.	Ref.	Q.ty	Description
1	130414	2	Drive shaft				
2	127120	2	Thrust washer				
3	127275	2	Thrust washer				
4	024795	2	Snap ring D40				
5	046250	2	Half shaft (Diff.side)				
6	040871	2	Central body				
7	040875	16	Lock ring				
8	040872	4	Spider				
9	040905	2	Half shaft (wheel side)				

26.09M CARRARO AXLES REF. 130425 - 131727**Wheel hub and epicyclic reduction gear****6.2**

Pos.	Ref.	Q.	Description	Pos.	Ref.	Q.	Description
1	047705	2	Cassette seal				
2	134293	4	Bearing				
3	123563	12	Stud				
4	065957	2	Wheel hub				
5	028508	2	O. ring				
6	126891	2	Crown gear				
7	115812	12	Nut M18				
8	119505	12	Washer				
9	128426	2	Planetary carrier				
10	020490	4	Bolt M8x20				
11	023271	2	Copper washer 24x30x1,5				
12	021555	2	Plug M24x1,5				
13	120435	2	Thrust washer				
14	128452	12	Washer				
15	028308	31,2	Needle bearing (by tenth)				
16	128451	6	Shaft				
17	024864	6	Snap ring D.22				
18	130195	6	Planetary gear				
19	127894	8	Centering bush				
20	128658	8	Bolt M10x45				
21	126912	2	Ring				
22	129162	2	Wheel carrier				
23	130194	12	Thrust washer				