

JANUARY '97

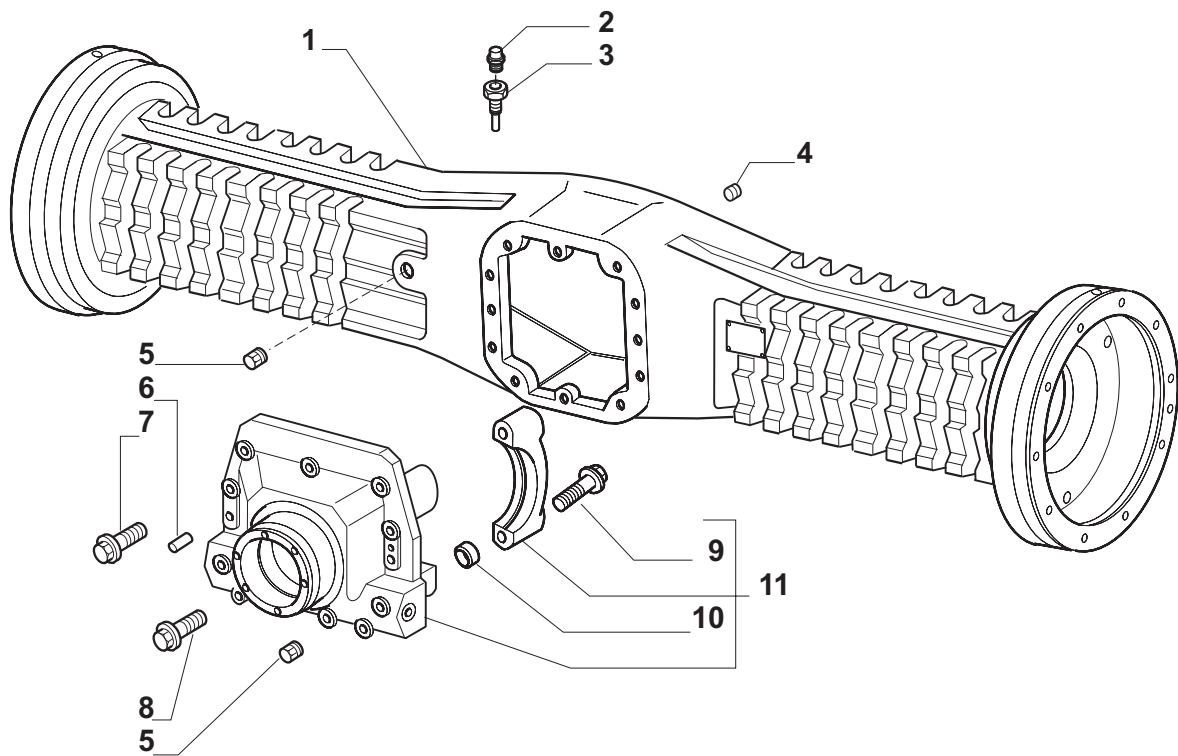
CARRARO AXLE 28.19 REF. 132946  
For "ÇUKUROVA"  
SPARE PARTS LIST

**CARRARO AXLE 28.19 REF. 132946**  
**for "ČUKUROVA"**

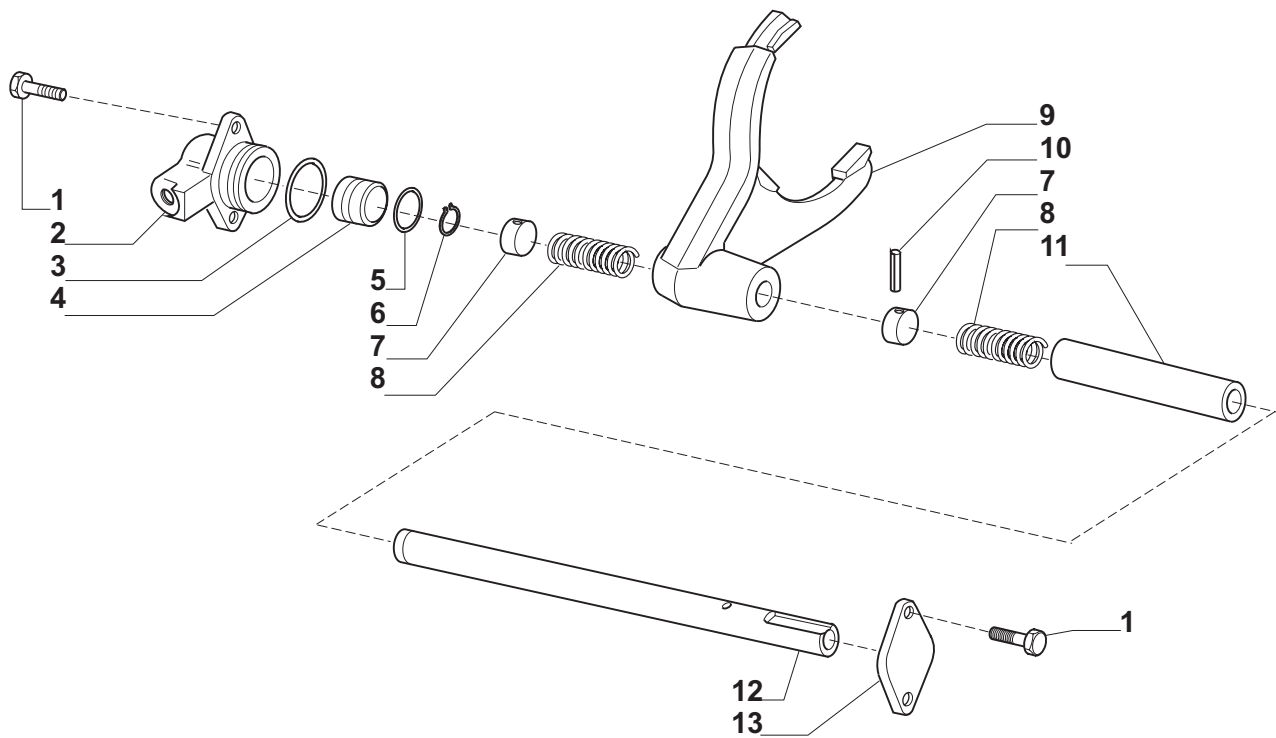
SPARE PARTS LIST

INDEX OF PAGES

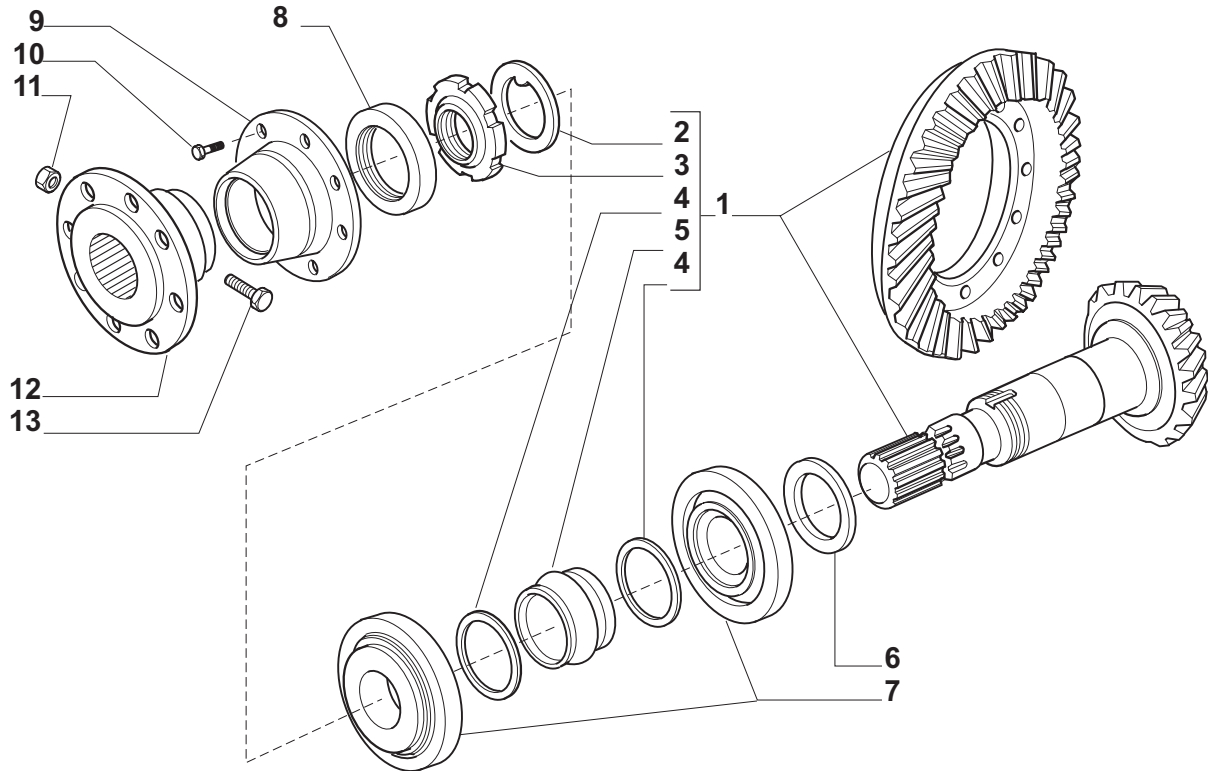
- 1.0 Axle housing
- 2.0 Differential lock
- 3.0 Bevel gear/Pinion set
- 4.0 Differential
- 5.0 Wheel hub and brakes
- 6.0 Epicyclic reduction gears



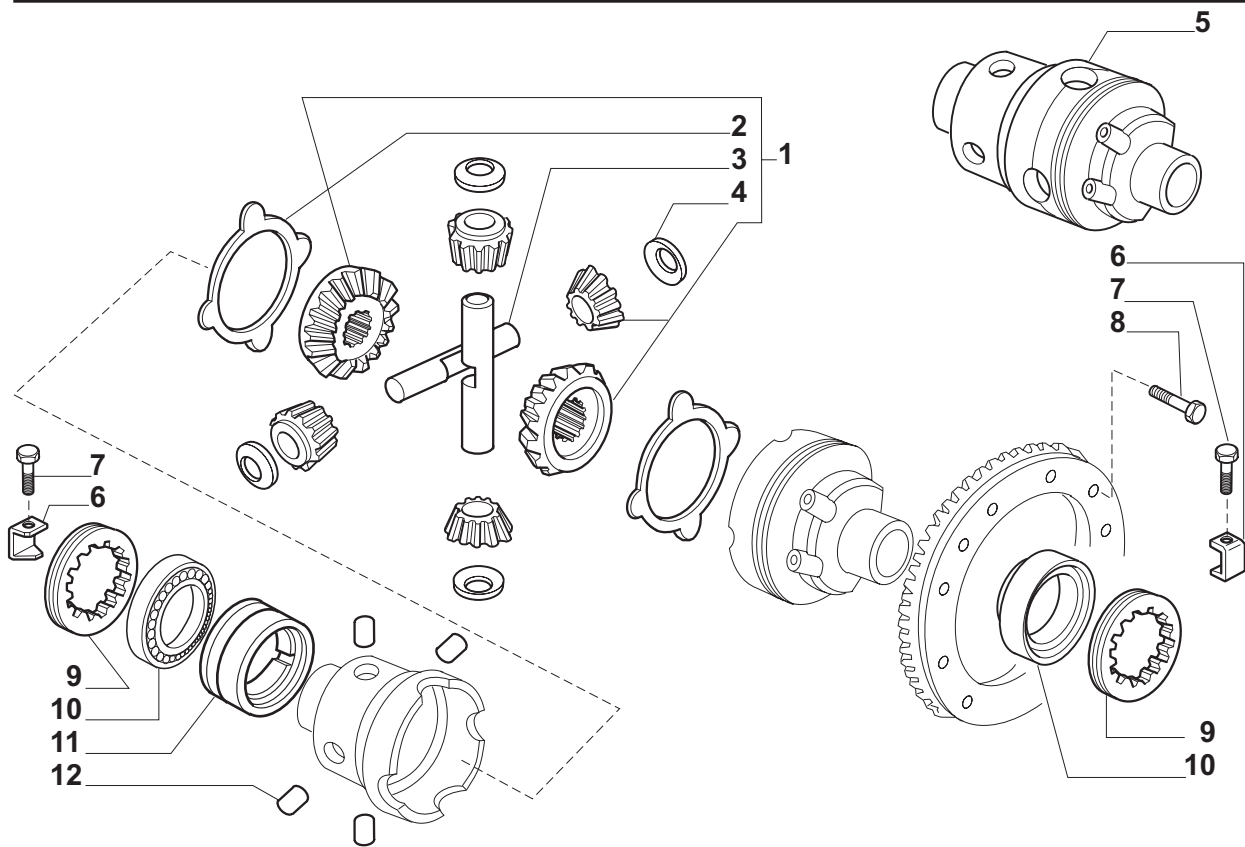
Pos.	Ref.	Qty.	Description	Pos.	Ref.	Q.ty	Description
1	128560	1	Axle housing				
2	104988	1	Breather M10x1				
3	121618	1	Breather support				
4	021565	1	Plug M.22				
5	092270	2	Oil drain plug				
6	087660	2	Pin D15x35				
7	125827	5	Bolt M12x33				
8	126334	5	Bolt M12x1,25x75				
9	126022	4	Bolt				
10	072235	4	Centering bush				
11	126311	1	Differential support				



Pos.	Ref.	Qty.	Description	Pos.	Ref.	Q.ty	Description
1	020778	4	Bolt M8x20				
2	126041	1	Support				
3	028557	1	O.ring				
4	126040	1	Piston				
5	028118	1	O.ring				
6	024765	1	Snap ring D.12				
7	126038	2	Lock ring				
8	126085	2	Spring				
9	126036	1	Fork				
10	024334	1	Split pin D3x20				
11	126039	1	Bush				
12	130988	1	Shaft				
13	126042	1	Flange				

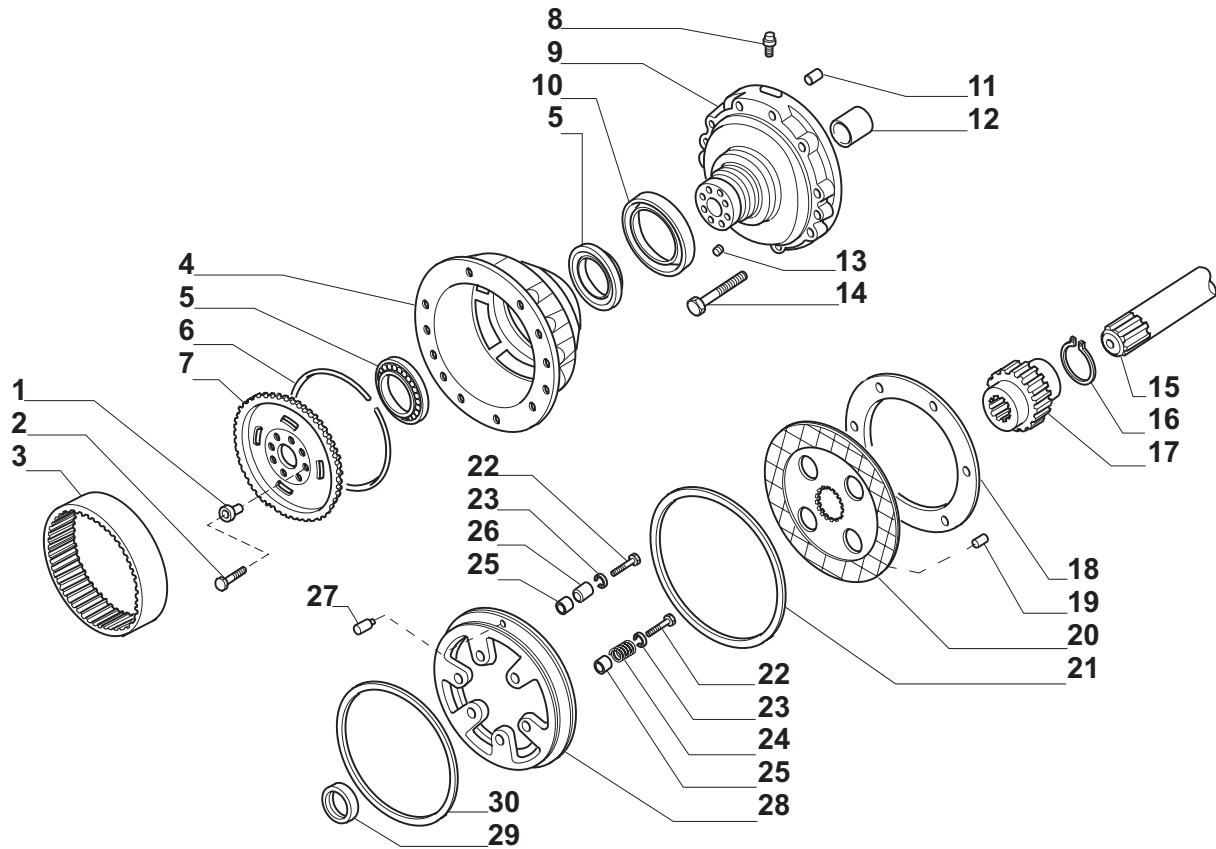


Pos.	Ref.	Qty.	Description	Pos.	Ref.	Qty.	Description
1	<b>065427</b>	1	Bevel gear/Pinion set Z=11/32				
2	<b>113717</b>	1	Lock washer				
3	<b>115054</b>	1	Ring nut M40x1,5				
4	<b>125829</b>	2	Washer 50x40.5x2				
5	<b>125806</b>	1	Spacer				
6	<b>132265</b>	-	Shim 2.50 mm				
6	<b>132266</b>	-	Shim 2.60 mm				
6	<b>132267</b>	-	Shim 2.70 mm				
6	<b>132268</b>	-	Shim 2.80 mm				
6	<b>132269</b>	-	Shim 2.90 mm				
6	<b>132270</b>	-	Shim 3.00 mm				
6	<b>132271</b>	-	Shim 3.10 mm				
6	<b>132272</b>	-	Shim 3.20 mm				
6	<b>132273</b>	-	Shim 3.30 mm				
6	<b>132274</b>	-	Shim 3.40 mm				
7	<b>027350</b>	2	Bearing				
8	<b>116722</b>	1	Seal ring 35x52x16				
9	<b>116370</b>	1	Flange				
10	<b>020746</b>	6	Bolt M6x16				
11	<b>022411</b>	2	Nut M10x1.25 (Self lock.)				
12	<b>117362</b>	1	Flange				
13	<b>021105</b>	2	Bolt M10x60				

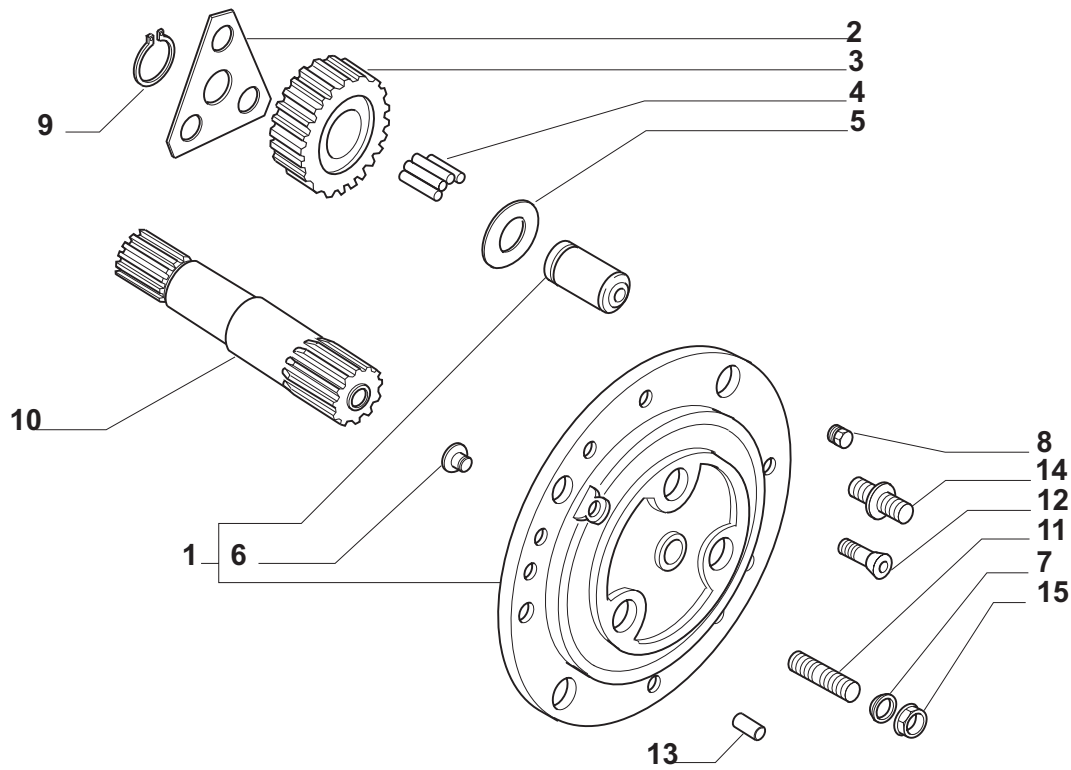


Pos.	Ref.	Qty.	Description	Pos.	Ref.	Q.ty	Description
------	------	------	-------------	------	------	------	-------------

1	<b>066189</b>	1	Differential kit
2	<b>120361</b>	2	Drive plate
3	<b>116369</b>	2	Shaft
4	<b>115730</b>	4	Thrust washer
5	<b>134693</b>	1	Differential housing
6	<b>107778</b>	2	Locking plate
7	<b>128440</b>	2	Bolt M6x10 (Self lock.)
8	<b>125552</b>	12	Bolt M10x1.5x75 (Self lock.)
9	<b>107400</b>	2	Ring nut
10	<b>027309</b>	2	Bearing
11	<b>134691</b>	1	Sleeve
12	<b>128955</b>	4	Pin



Pos.	Ref.	Qty.	Description	Pos.	Ref.	Q.ty	Description
1	125189	2	Centering bush D.24	26	123622	6	Split pin D.18x19.8
1	125190	14	Centering bush D.20	27	120132	12	Pin D.8x23.5
2	119906	16	Bolt M14x1.5x65 (Self lock.)	28	125583	2	Brake piston
3	125549	2	Crown gear	29	025351	2	Oil seal 35x52x7
4	118376	2	Wheel hub	30	120209	2	Joint "Quading"
5	118370	4	Bearing				
6	125555	2	Lockring				
7	125550	2	Wheel carrier				
8	116792	2	Breather M10x1				
9	125582	2	Wheel shaft				
10	047705	2	Cassette seal 150x176x16				
11	076379	4	Pin D15x45				
12	109972	2	Bush 35x39x35				
13	021558	6	Plug M10x1				
14	127693	20	Bolt M14x75 (Self lock.)				
15	130287	2	Half shaft				
16	024874	2	Snap ring D.33				
17	130289	2	Sleeve				
18	125584	2	Drive plate				
19	024466	2	Split pin D.6x16				
20	119682	2	Brake disc				
21	120208	2	Joint "Quading" 262,6x3,5				
22	020754	12	Bolt M6x30				
23	126292	12	Washer 16.5x6.2x2				
24	126297	6	Spring 2.8-18-21.6				
25	126286	12	Bush 12x6.5x20.1				



Pos.	Ref.	Qty.	Description	Pos.	Ref.	Q.ty	Description
1	066132	2	Planetary carrier assy				
2	116458	2	Thrust washer				
3	130293	6	Epicyclic gear				
4	028294	18	Needle bearing (by tens)				
5	115634	6	Thrust washer 55x34.6x1.5				
6	115682	2	Thrust pin				
7	119505	16	Washer				
8	092270	2	Plug M22x1.5				
9	024789	6	Snap ring D.34				
10	130288	2	Half shaft				
11	106199	12	Stud				
12	020510	4	Bolt M12x30				
13	115640	4	Pin				
14	120853	4	Stud				
15	115812	16	Nut M18x1.5				