

JANUARY '97

CARRARO AXLE 28.21 FR + TB 200/2
REF. 132948
For "ÇUCUROVA"
SPARE PARTS LIST

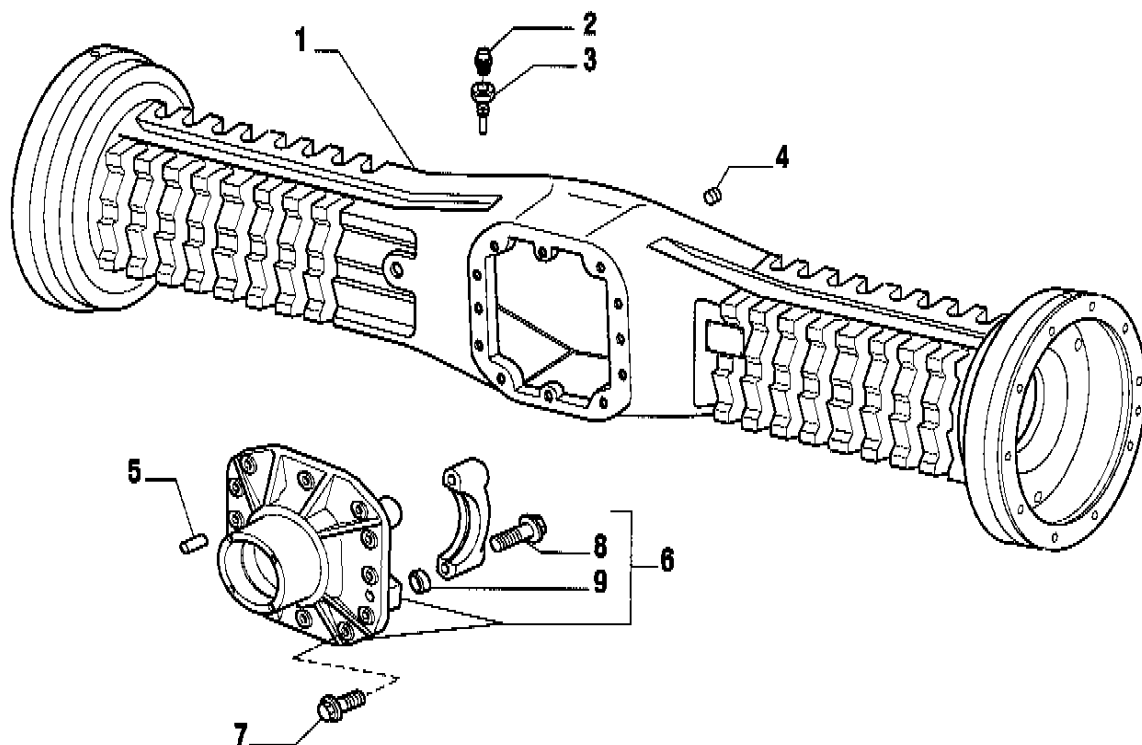
CARRARO AXLE 28.21 FR + TB 200/2 REF. 132948**For "ÇUKUROVA"****SPARE PARTS LIST****INDEX OF PAGES**

- 1.0 Axle housing
- 2.0 Bevel gear/Pinion set
- 3.0 Differential
- 4.0 Wheel hub and brakes
- 5.0 Epicyclic reduction gears
- 6.0 Box and covers
- 7.0 Inner shaft
- 8.0 Middle and outer shafts
- 9.0 Pipes and joints

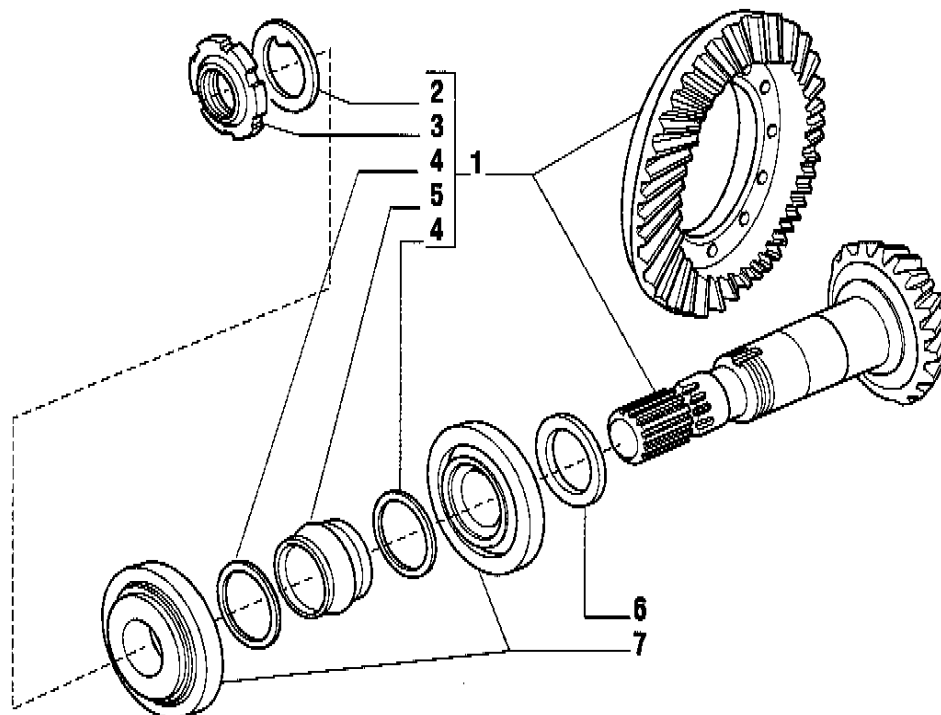
CARRARO AXLE 28.21FR +TB 200/2 REF. 132948

Axle housing

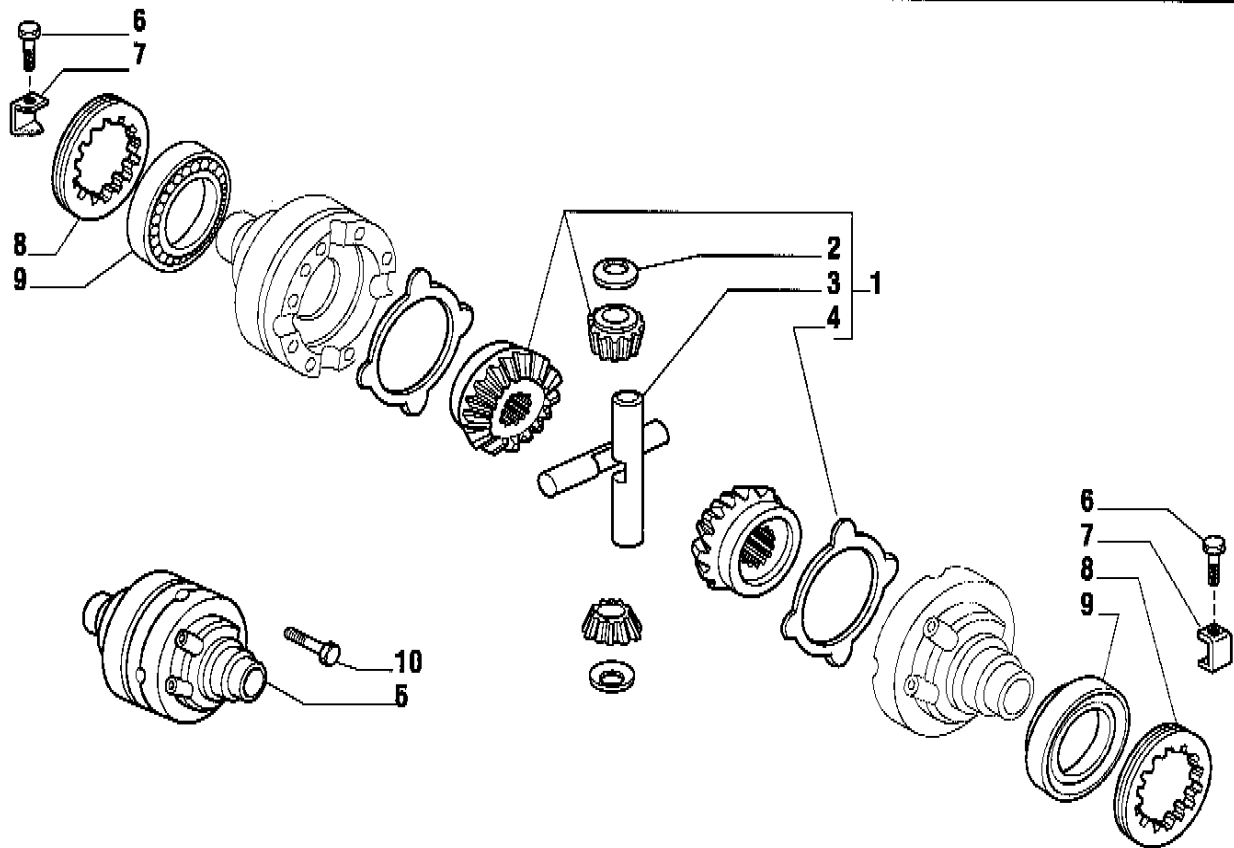
1.0



Pos.	Ref.	Q.ty	Description	Pos.	Ref.	Q.ty	Description
1	128560	1	Axle housing				
2	104988	1	Breather M10x1				
3	121618	1	Breather support				
4	021565	1	Plug M22x1.5				
5	087660	2	Pin D15x35				
6	125836	1	Supporto differenziale				
7	125827	6	Bolt M12x1.75x39				
8	126022	4	Bolt M14x2x75				
9	072235	4	Centering bush				

CARRARO AXLE 28.21FR + TB 200/2 REF. 132948**Bevel gear/Pinion set****2.0**

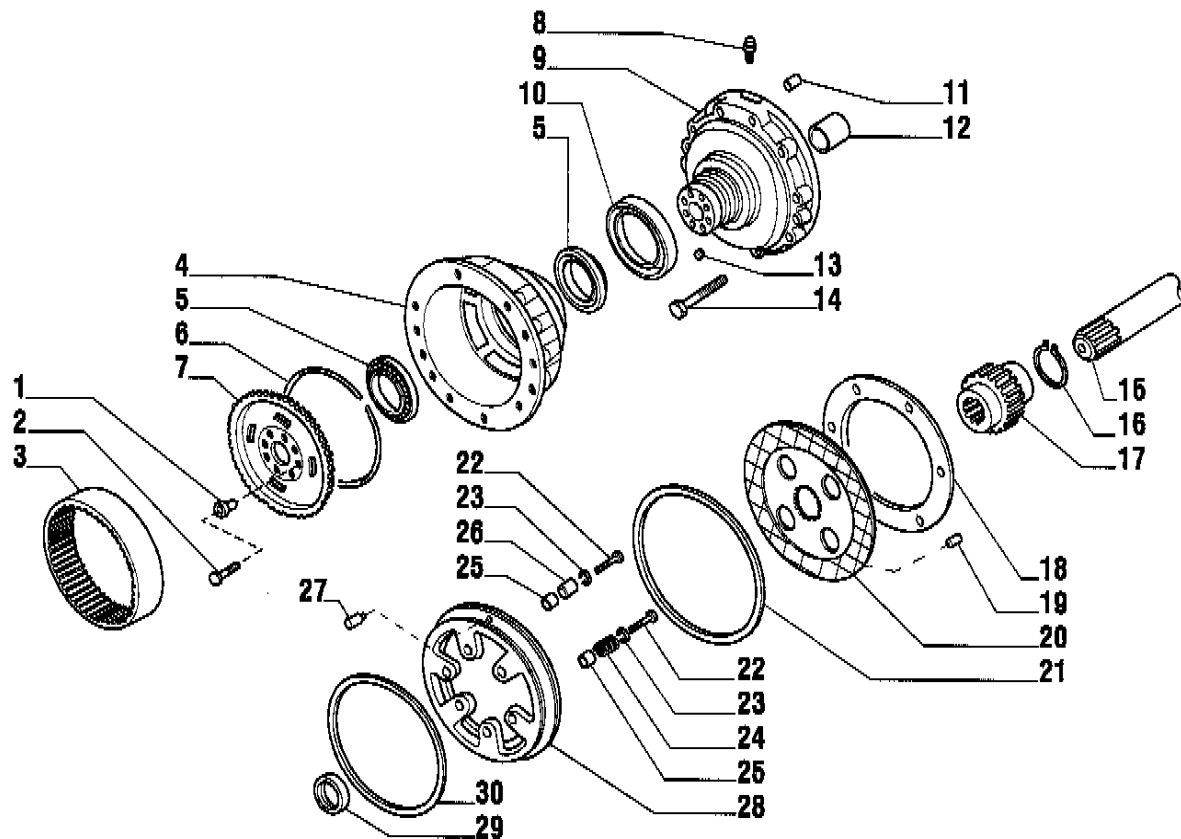
Pos.	Ref.	Q.ty	Description	Pos.	Ref.	Q.ty	Description
1	065464	1	Bevel gear/Pinion set Z=11/32				
2	113717	1	Lock washer				
3	115054	1	Ring nut M40x1,5				
4	125829	2	Washer 50x40.5x2				
5	126806	1	Spacer				
6	098427	-	Shim 2.50 mm				
6	098428	-	Shim 2.60 mm				
6	098425	-	Shim 2.70 mm				
6	098424	-	Shim 2.80 mm				
6	098244	-	Shim 2.90 mm				
6	098239	-	Shim 3.00 mm				
6	098240	-	Shim 3.10 mm				
6	098241	-	Shim 3.20 mm				
6	098242	-	Shim 3.30 mm				
6	098243	-	Shim 3.40 mm				
7	027350	2	Bearing				

CARRARO AXLE 28.21FR +TB 200/2 REF. 132948**Differential****3.0**

Pos.	Ref.	Q.ty	Description	Pos.	Ref.	Q.ty	Description
1	066156	1	Differential kit				
2	115730	2	Thrust washer				
3	116368	2	Shaft				
4	120361	2	Drive plate				
5	127771	1	Differential housing				
6	128440	2	Bolt M6x10				
7	107778	2	Locking plate				
8	107400	2	Ring nut				
9	027309	2	Bearing				
10	125552	12	Bolt M10x75				

CARRARO AXLE 28.21FR +TB 200/2 REF. 132948**Wheel hub and brakes**

4.0

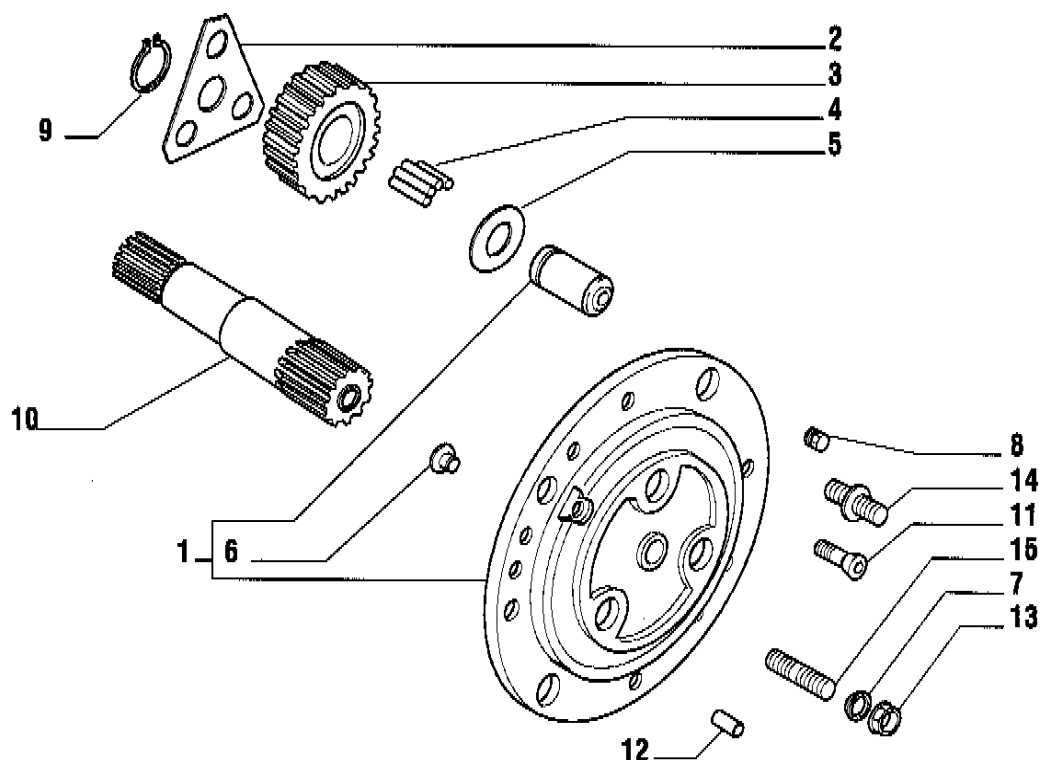


Pos.	Ref.	Qty.	Description	Pos.	Ref.	Qty.	Description
1	125189	2	Centering bush D.24	26	123622	6	Split pin D.18x19.8
1	125190	14	Centering bush D.20	27	120132	12	Pin D.8x23.5
2	119908	16	Bolt M14x1.5x65 (Self lock.)	28	125583	2	Brake piston
3	125549	2	Crown gear	29	025351	2	Oil seal 35x52x7
4	118376	2	Wheel hub	30	120209	2	Joint "Quadring"
5	118370	4	Bearing				
6	125555	2	Lockring				
7	125550	2	Wheel carrier				
8	116792	2	Breather M10x1				
9	125582	2	Wheel shaft				
10	047705	2	Cassette seal 150x176x16				
11	076379	4	Pin D15x45				
12	109972	2	Bush 35x39x35				
13	021558	6	Plug M10x1				
14	127693	20	Bolt M14x75 (Self lock.)				
15	119694	2	Half shaft				
16	024868	2	Snap ring D.27				
17	119681	2	Sleeve				
18	125584	2	Drive plate				
19	024466	2	Split pin D.6x16				
20	119682	2	Brake disc				
21	120208	2	Joint "Quadring" 262,6x3,5				
22	020754	12	Bolt M6x30				
23	126292	12	Washer 16.5x6.2x2				
24	126297	6	Spring 2.8-18-21.6				
25	126286	12	Bush 12x6.5x20.1				

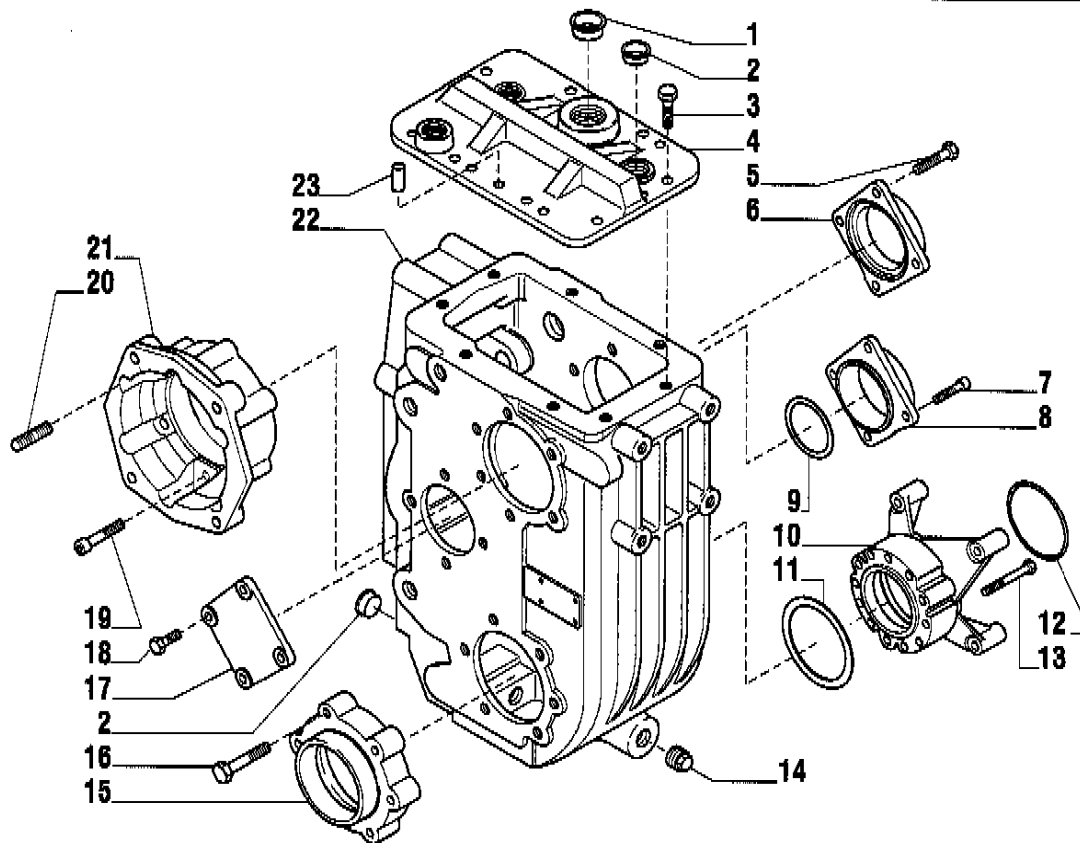
CARRARO AXLE 28.21FR +TB 200/2 REF. 132948

Epicyclic reduction gears

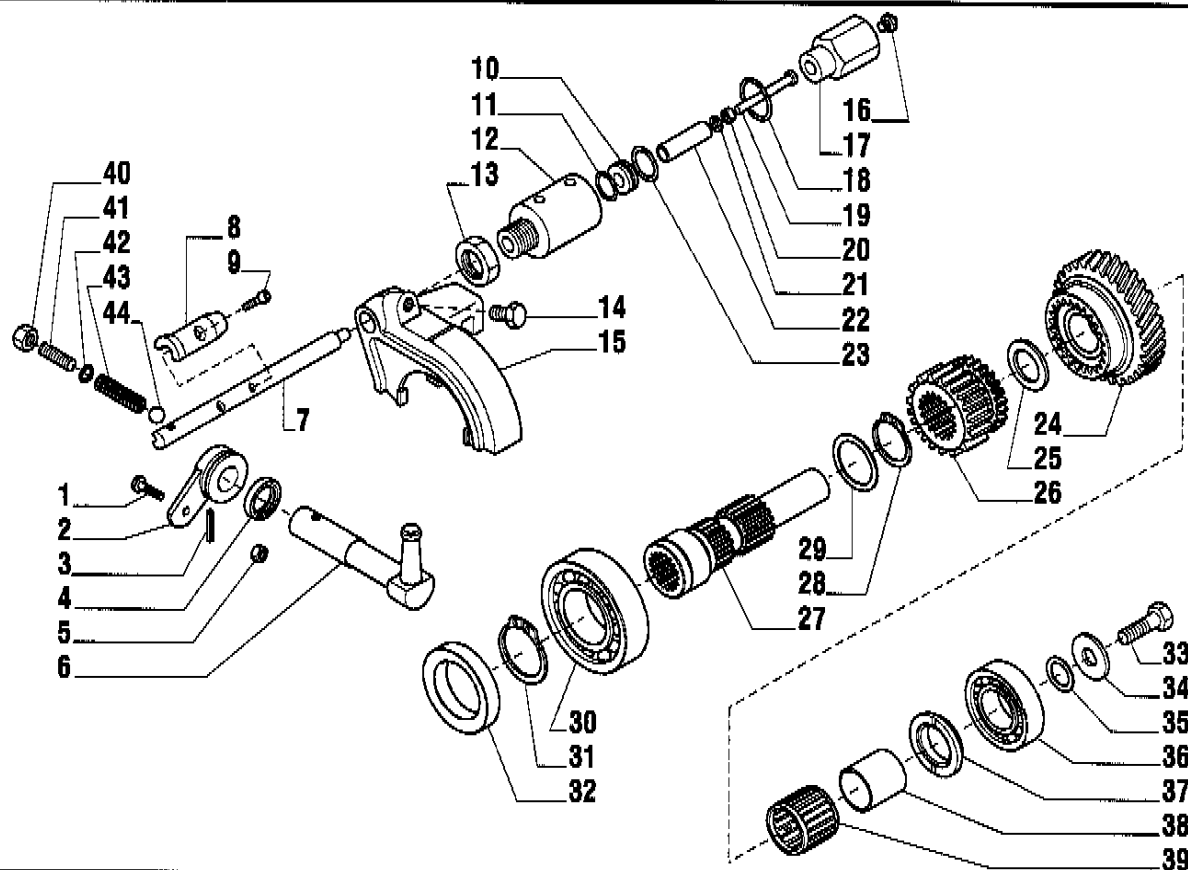
5.0



Pos.	Ref.	Q.ty	Description	Pos.	Ref.	Q.ty	Description
1	066132	2	Planetary carrier assy				
2	116458	2	Thrust washer				
3	120836	6	Planetary gear				
4	028294	18	Needle bearings (by tens)				
5	115634	6	Thrust washer 55x34.6x1.5				
6	115682	2	Thrust pin				
7	119505	16	Washer				
8	092270	2	Plug M22x1.5				
9	024789	6	Snap ring D.34				
10	119878	2	Half shaft				
11	020510	4	Bolt M12x30				
12	115640	4	Pin				
13	115812	16	Nut M18				
14	120853	4	Stud				
15	106199	12	Stud				

CARRARO AXLE 28.21FR +TB 200/2 REF. 132948**Box and covers****6.0**

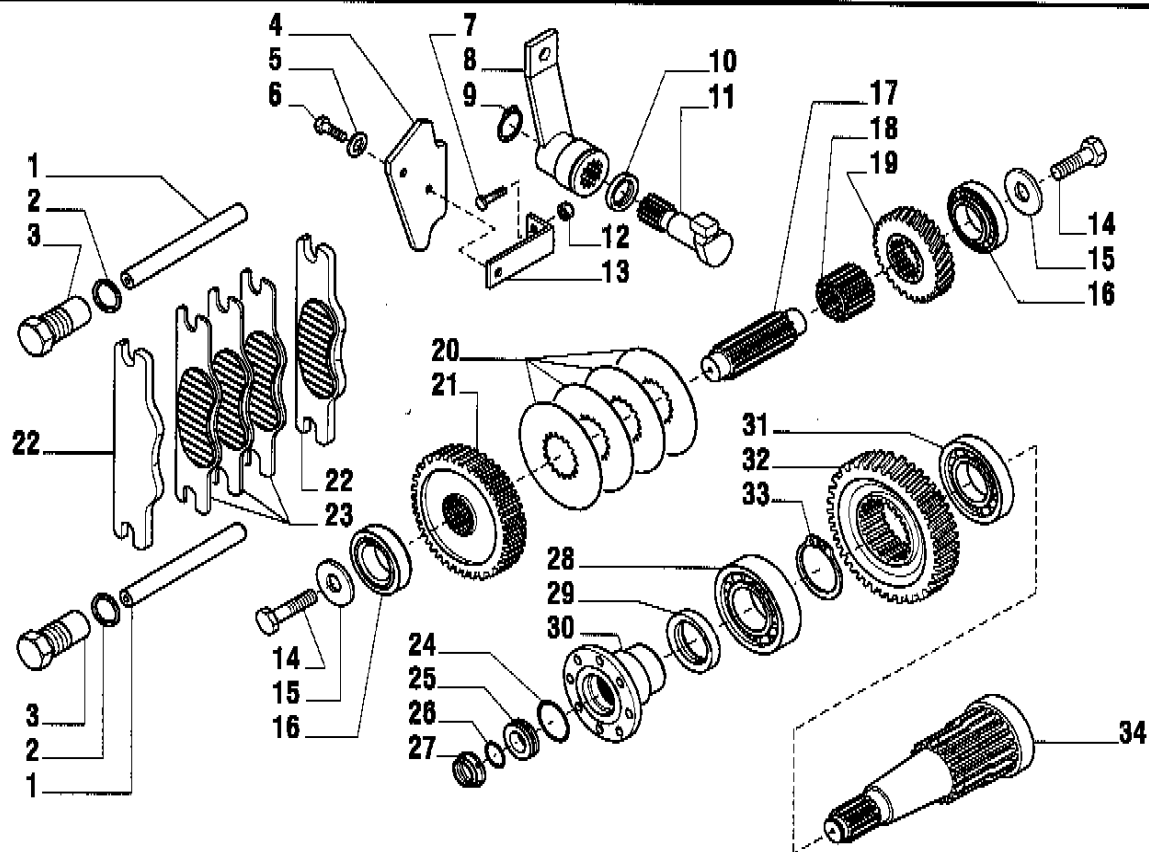
Pos.	Ref.	Q.ty	Description	Pos.	Ref.	Q.ty	Description
1	030767	1	Plug D.31				
2	030763	2	Plug D.20.5				
3	020778	8	Bolt M8x20				
4	129660	1	Upper cover				
5	020783	4	Bolt M8x30				
6	126665	1	Inner shaft cover				
7	021394	4	Bolt M8x30				
8	126664	1	Front cover				
9	097197	-	Shim 0.3mm				
9	087198	-	Shim 0.1mm				
9	102302	-	Shim 0.05mm				
10	125669	1	Box support				
11	125719	-	Shim 0.1mm				
11	125720	-	Shim 0.2mm				
11	125721	-	Shim 0.5mm				
12	028516	1	O.ring				
13	020866	6	Bolt M10x75				
14	092270	1	Drain plug M22x1.5				
15	126668	1	Lower cover				
16	020868	6	Bolt M10x45				
17	126663	1	Rear cover				
18	020854	4	Bolt M10x35				
19	021413	6	Bolt M10x40				
20	021497	1	Grub screw M10x35				
21	126662	1	Flange				
22	128011	1	Box				
23	079582	1	Pin D.8x25				

CARRARO AXLE 28.21FR + TB 200/2 REF. 132948**Inner shaft****7.0**

Pos.	Ref.	Q.ty	Description	Pos.	Ref.	Q.ty	Description
1	020778	1	Bolt M8x20	28	024803	1	Snap ring D.48
2	127979	1	Lever	29	130083	1	Washer 65x48x2
3	024443	1	Splitt pin D.6x40	30	025812	1	Bearing
4	025111	1	Oil seal 22x32x7	31	024810	1	Snap ring D.55
5	022116	1	Nut M8	32	025249	1	Oil seal 55x80x10
6	125708	1	Lever	33	123918	1	Bolt M12x1.25x25 (Self lock.)
7	129818	1	Shaft	34	123921	1	Washer 44x12.5x5
8	130074	1	Bush	35	123915	-	Shim 0.05mm
9	021355	1	Bolt M4x10	35	123916	-	Shim 0.1mm
10	130077	1	Piston	35	123917	-	Shim 0.2mm
11	028522	2	O.ring	36	026188	1	Bearing
12	130079	1	Cylinder	37	130158	1	Spacer
13	022199	1	Nut M30x2	38	027971	1	Ring 35x40x30
14	106333	1	Bolt	39	026048	1	Needle bearing
15	125704	1	Fork	40	022123	1	Nut M12
16	030766	1	Plug M10x1	41	021499	1	Grub screw M12x25
17	130078	1	Plug M35	42	023262	1	Washer 12x16x1.5
18	023284	1	Washer	43	071352	1	Spring
19	129845	1	Bolt M6x70	44	026270	1	Ball D.10
20	021100	1	Bolt M12x90				
21	023066	1	Washer D.6				
22	129694	1	Bush 16x10x53				
23	026118	1	O.ring				
24	125747	1	Gear Z=34				
25	130157	1	Thrust washer				
26	130080	1	Gear Z=20				
27	129825	1	Inner shaft				

CARRARO AXLE 28.21FR +TB 200/2 REF. 132948**Middle and outer shafts**

8.0

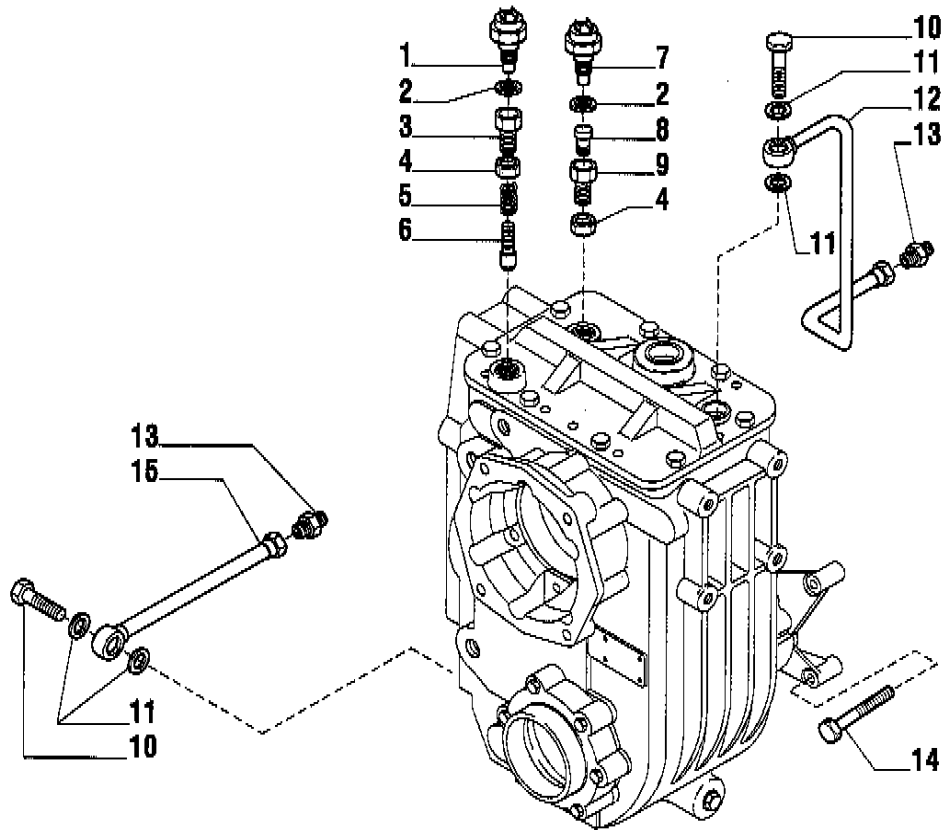


Pos.	Ref.	Q.ty	Description	Pos.	Ref.	Q.ty	Description
1	125711	2	Shaft	28	025860	1	Bearing
2	023282	2	Washer	29	118899	1	Ring 82x58x15
3	125927	2	plug	30	120862	1	Flange
4	127977	1	Plate	31	025744	1	Bearing
5	022856	1	Washer D.8	32	125749	1	Gear Z=43
6	020778	1	Bolt M8x20	33	024818	1	Snap ring D.72
7	020793	1	Bolt M8x30	34	132710	1	Outer shaft
8	128583	1	Lever				
9	024777	1	Snap ring D.22				
10	025111	1	Seal ring 22x32x7				
11	129828	1	Lever				
12	022116	1	Nut M8				
13	128574	1	Plate				
14	123918	2	Bolt M12x1.25x25 (Self lock.)				
15	123921	2	Washer				
16	027336	2	Bearing				
17	125652	1	Middle shaft				
18	126601	1	Sleeve				
19	125748	1	Gear Z=24				
20	125591	4	Drive plate				
21	125859	1	Gear Z=43				
22	125712	2	Inner brakes				
23	125713	3	Outer brakes				
24	028543	1	O.ring				
25	118892	1	Ring				
26	028129	1	O.ring				
27	132190	1	Ring nut				

CARRARO AXLE 28.21FR +TB 200/2 REF. 132948

Pipes and joints

9.0



Pos.	Ref.	Q.ty	Description	Pos.	Ref.	Q.ty	Description
1	128901	1	Switch				
2	023265	2	Washer				
3	130082	1	Support				
4	022129	2	Nut M16				
5	129693	1	Spring				
6	130081	1	Pin				
7	128902	1	Switch				
8	130075	1	Pin				
9	130076	1	Support				
10	028235	2	Bolt M22x1,5x40				
11	023273	4	Washer				
12	128138	1	Pipe				
13	122098	2	Joint				
14	021100	4	Bolt M12x90				
15	128033	1	Pipe				