

MARCH '96

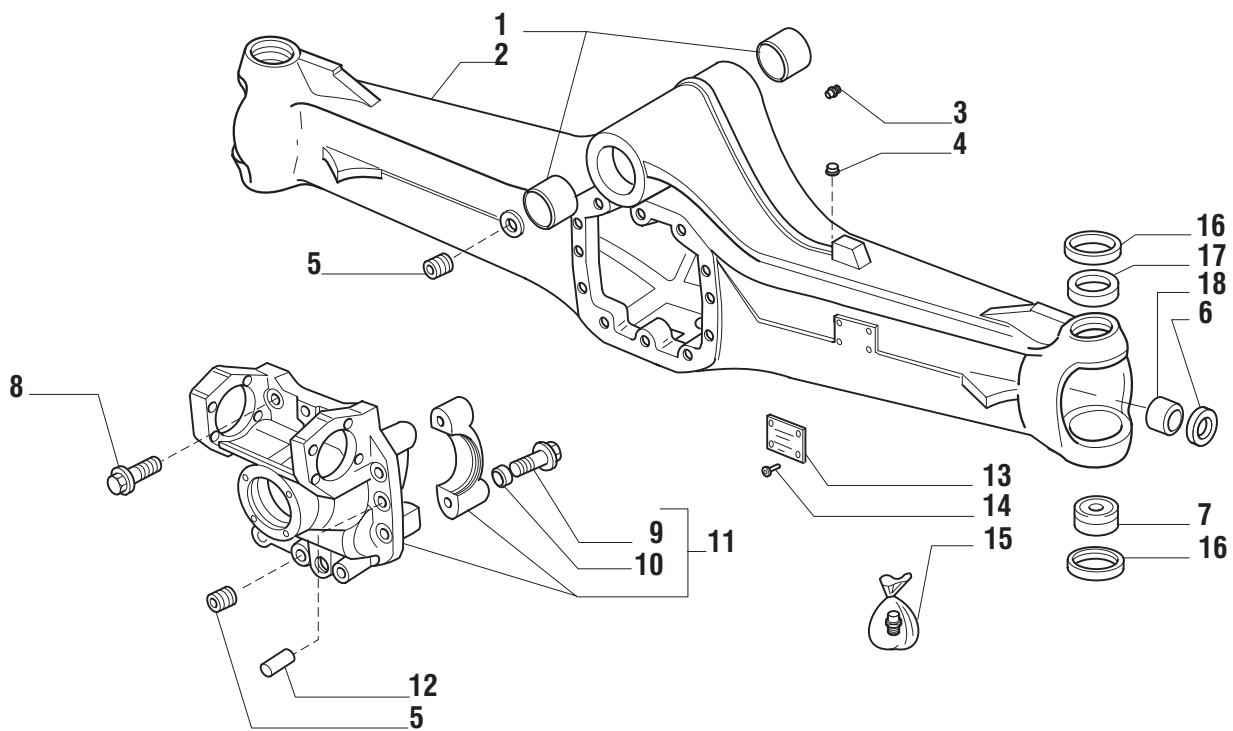
709 CARRARO AXLE REF. 133297
For "CASE" IH P100
Spare Parts List

709 CARRARO AXLE REF. 133297
for "CASE" IH P100

SPARE PARTS LIST

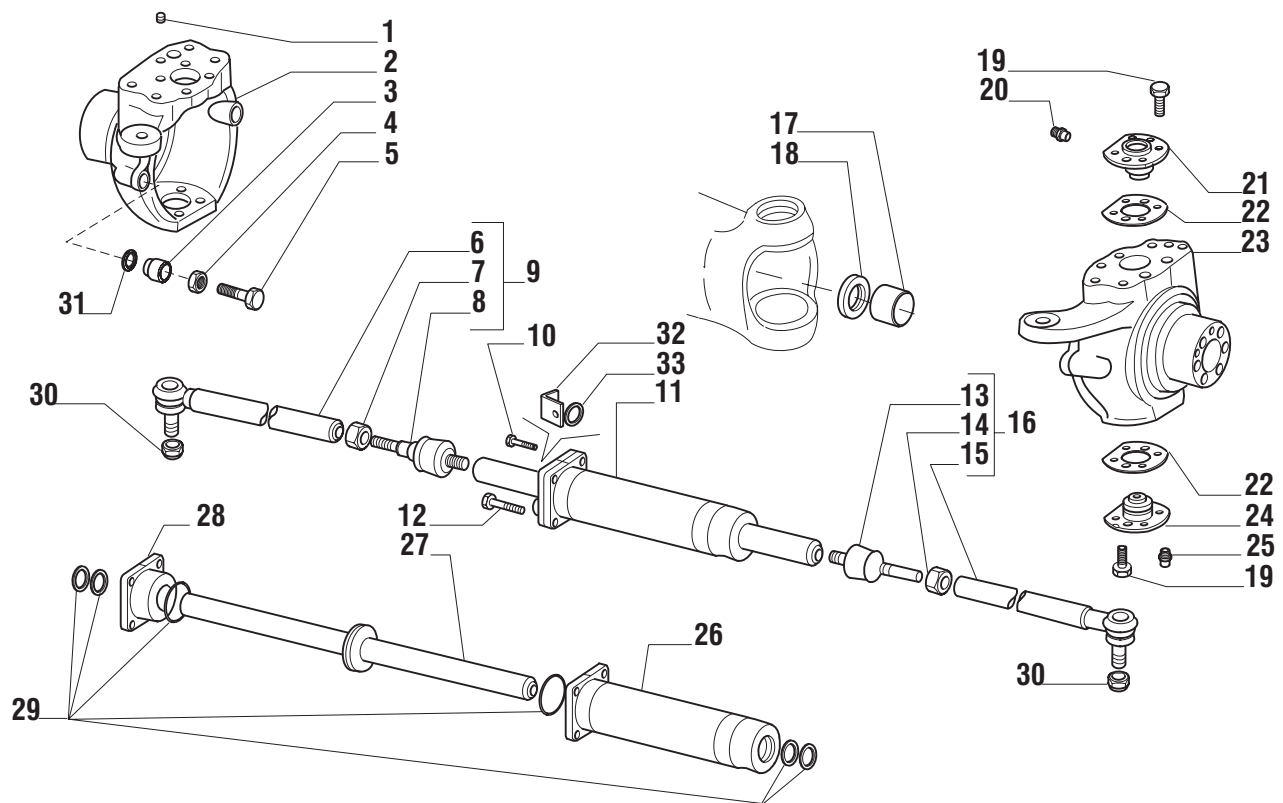
INDEX OF PAGES

- 1.1 Axle Housing
- 2.1 Swivel housing and steering cylinder
- 3.0 Bevel Gear / Pinion set
- 4.1 Differential
- 5.0 Drive shaft
- 6.1 Epiciclic reduction



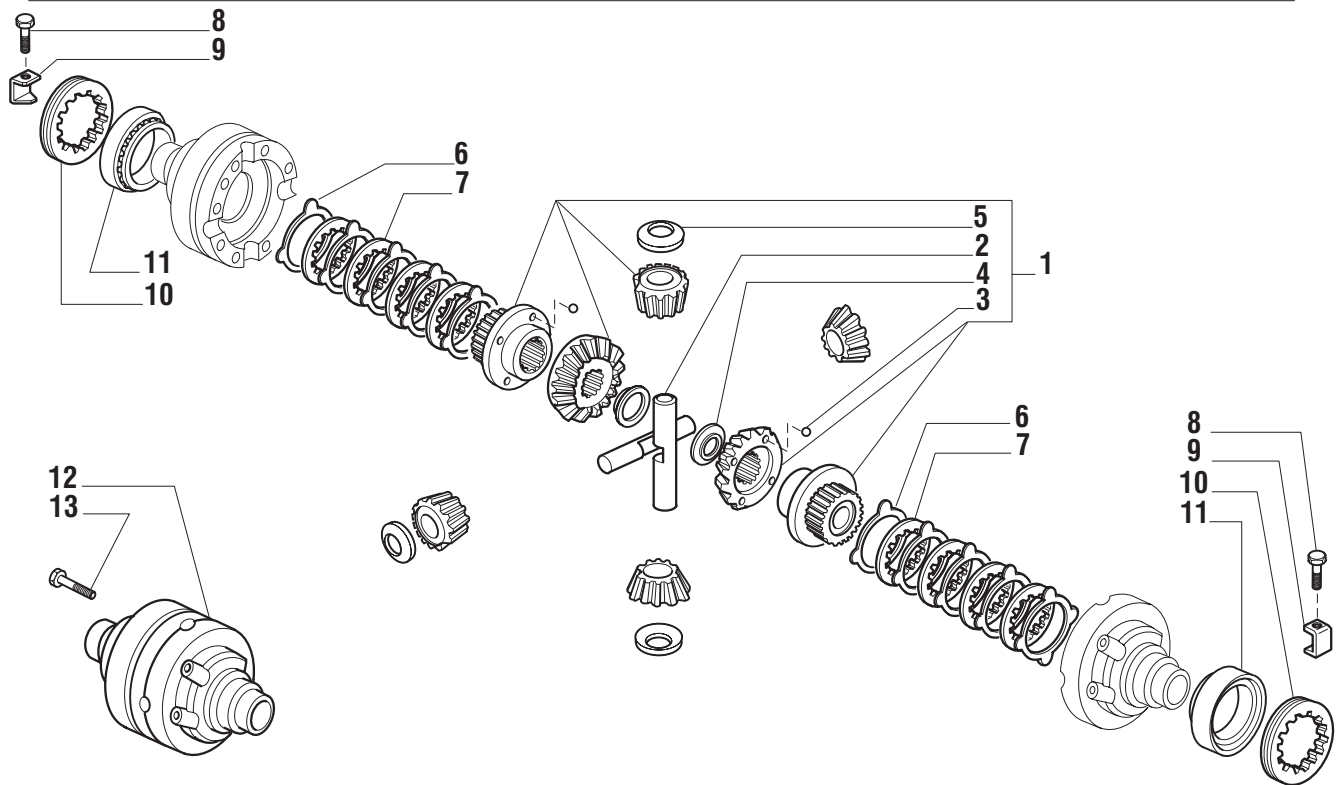
MOD. N. 4941

Pos.	Ref.	Q.	Description	Pos.	Ref.	Q.	Description
1	123207	2	Bush				
2	122945	1	Axle housing				
3	024261	1	Grease nipple				
4	021558	1	Plug M10				
5	092270	2	Plug M22				
6	118675	2	Oil seal				
7	123726	2	Spherical bearing				
8	125827	10	Screw M12x33				
9	126022	4	Screw M14x75				
10	072235	4	Bush				
11	125916	1	Differential support assy				
12	087660	2	Pin D15x35				
13	123147	1	Plate				
14	023827	4	Rivet				
15	104988	1	Breather				
16	115715	4	Seal				
17	123641	2	Bush				
18	116962	2	Bush				



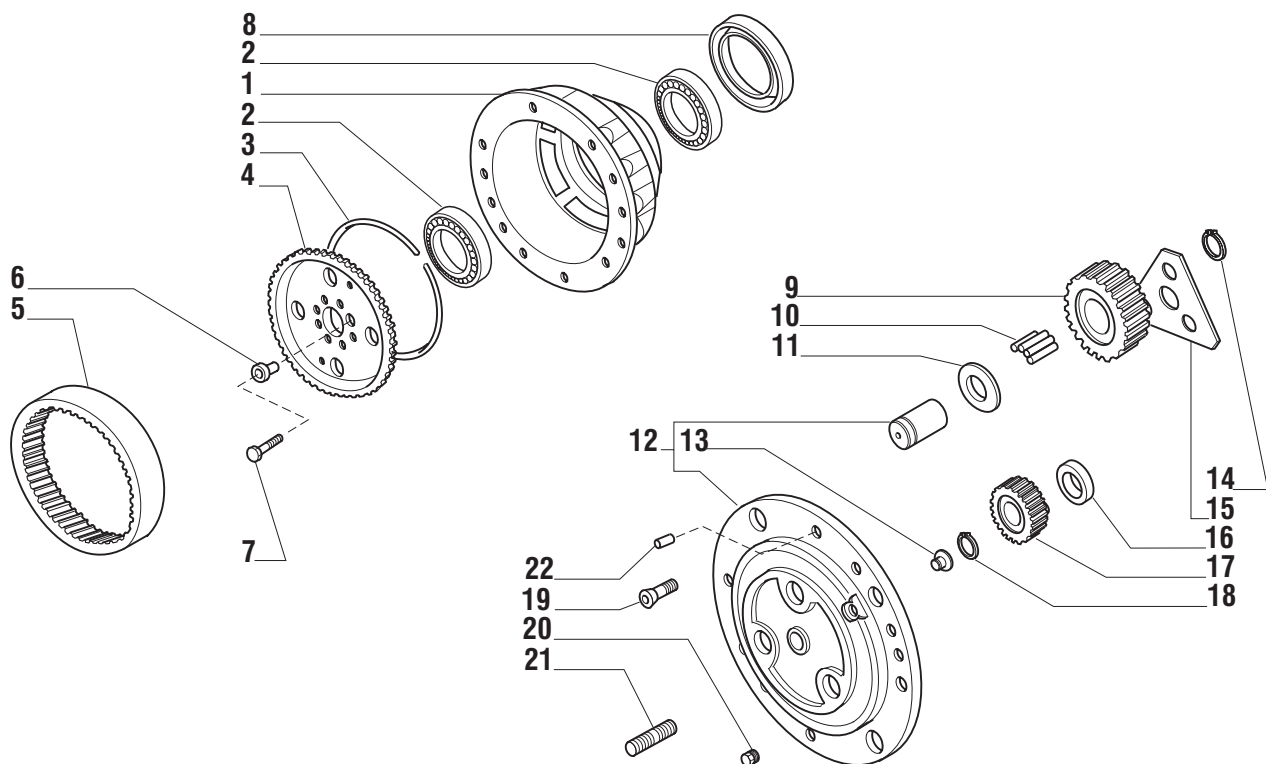
MOD. N. 5653

Pos.	Ref.	Q.	Description	Pos.	Ref.	Q.	Description
1	030755	8	Oil plug	26	049116	1	Cylinder
2	122983	1	Swivel housing L.H.	27	049115	1	Rod
3	122578	2	Bush	28	049108	1	Cylinder head
4	122577	2	Nut	29	049109	1	Oil seal kit
5	122576	2	Screw M14x75	30	022431	2	Nut M20x1,5
6	048986	1	Steering arm (L.H. Thread)	31	101035	-	Shim 1mm
7	342619	1	Nut M24x1,5	32	124489	1	Plate
8	049008	1	Ball joint (L.H. Thread)	33	023113	1	Washer
9	122600	1	Steering arm assy (L.H. threaded)				
10	128534	3	Screw M12x45				
11	128613	1	Steering cylinder				
12	131006	1	Bolt (self lock,)				
13	049013	1	Ball joint (R.H. thread)				
14	070787	1	Nut M24x1,5				
15	048987	1	Steering arm (R.H. thread)				
16	122599	1	Steering arm assy (R.H. threaded)				
17	109972	2	Bush				
18	116722	2	Oil seal				
19	126922	12	Bolt M14x35				
20	024210	2	Greaser nipple				
21	125149	2	King pin				
22	115733	-	Shim Th= 0,10 mm				
22	115734	-	Shim Th= 0,19 mm				
22	115735	-	Shim Th= 0,35 mm				
23	122982	1	Swivel housing R.H.				
24	118526	2	King pin				
25	024211	2	Greaser nipple				



MOD. N. 5429

Pos.	Ref.	Q.	Description	Pos.	Ref.	Q.	Description
1	066193	1	Differential kit				
2	127898	2	Shaft				
3	028270	8	Ball D.10				
4	125797	2	Thrust washer				
5	115730	2	Thrust washer				
6	110643	10	Drive plate				
7	110644	8	Plate				
8	128440	2	Screw M6x10 (self lock.)				
9	107778	2	Locking plate				
10	125792	2	Ring nut				
11	027309	2	Bearing				
12	125812	1	Differential housing				
13	125552	12	Bolt M10x1,5x75 (self lock.)				



MOD. N. 5706

Pos.	Ref.	Q.	Description	Pos.	Ref.	Q.	Description
1	118376	2	Wheel hub				
2	118370	4	Bearing				
3	125555	2	Ring				
4	125550	2	Wheel carrier				
5	125549	2	Crown gear				
6	125189	2	Centering bush D.24 mm				
6	125190	10	Centering bush D. 20 mm				
7	119906	12	Bolt M14x65				
8	047705	2	Cassette				
9	120836	6	Planetary gear				
10	028294	18	Needle bearing				
11	115634	6	Washer				
12	066322	2	Planetary carrier assy				
13	115682	2	Thrust pin				
14	024789	6	Snap ring D.34				
15	116458	2	Thrust washer				
16	127592	2	Spacer				
17	115643	2	Sun gear				
18	024784	2	Lockring				
19	020510	4	Screw M12x30				
20	092270	2	Plug M22				
21	126709	4	Stud				
21	126710	12	Stud				
22	115640	4	Pin D18x36				