

JULY '96

28.28M CARRARO AXLE REF. 134170
For "CASE"
Spare Parts List

28.28M CARRARO AXLE REF. 134170

For "CASE"

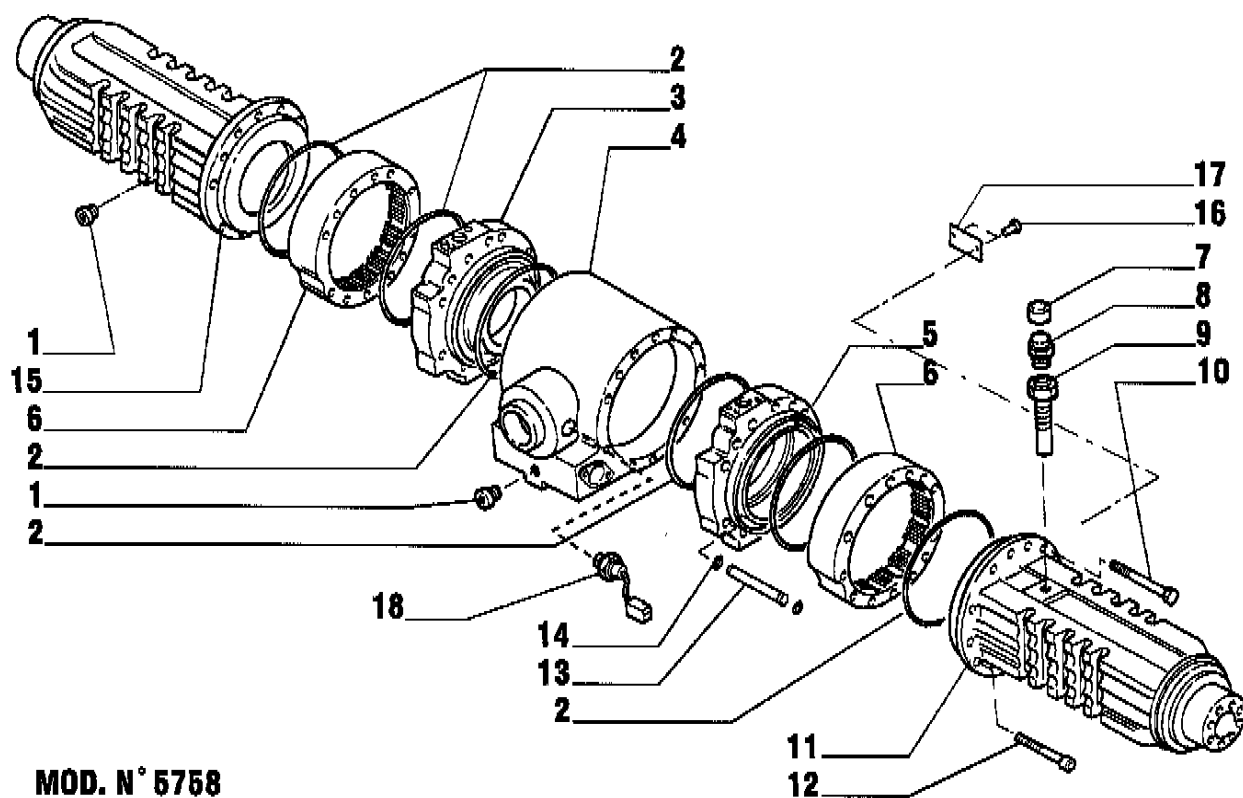
SPARE PARTS LIST

INDEX OF PAGES

- 1.1 Axle housing
- 2.2 Bevel gear/ pinion set
- 3.0 Differential
- 4.2 Differential lock system
- 5.2 Brakes
- 6.1 Brake control
- 7.1 Wheel hubs and epicyclic reduction gears

28.28M CARRARO AXLE ref.134170**Axle housing**

1.1

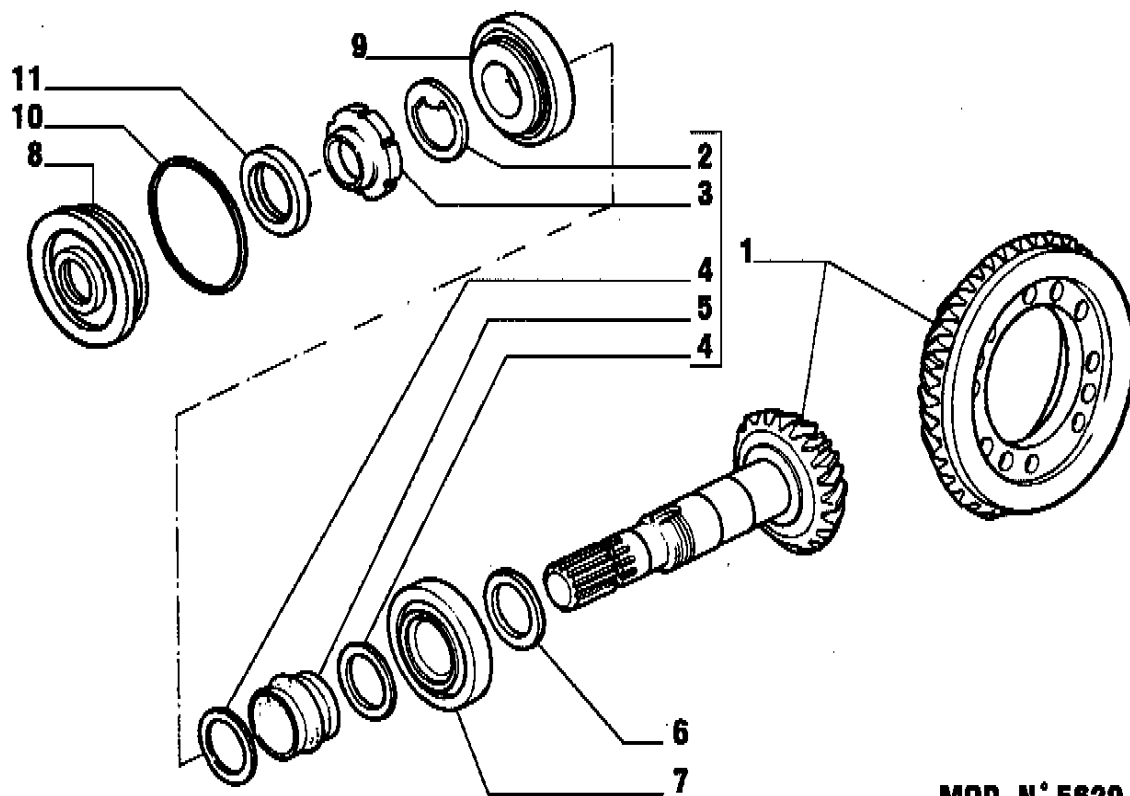
**MOD. N° 5758**

Pos.	Ref.	Q.ty	Description	Pos.	Ref.	Q.ty	Description
------	------	------	-------------	------	------	------	-------------

1	125280	2	Oil plug				
2	029562	6	O.ring				
3	132516	1	Brake cylinder L.H.				
4	134168	1	Central housing				
5	132517	1	Brake cylinder R.H.				
6	132577	2	Flange				
7	130532	1	Protection cover				
8	104988	1	Breather M10x1				
9	121618	1	Extension for breather				
10	021166	22	Bolt M14x140				
11	134169	1	Axle housing,RH side				
12	021314	4	Bolt M12x130				
13	133894	1	Pipe				
14	028158	2	O.ring				
15	132832	1	Axle housing,LH side				
16	023827	4	Rivet D 3.2				
17	123147	1	Plate				
18	134347	1	Thermostate				

28.28M CARRARO AXLE ref.134170**Bevel gear/Pinion set**

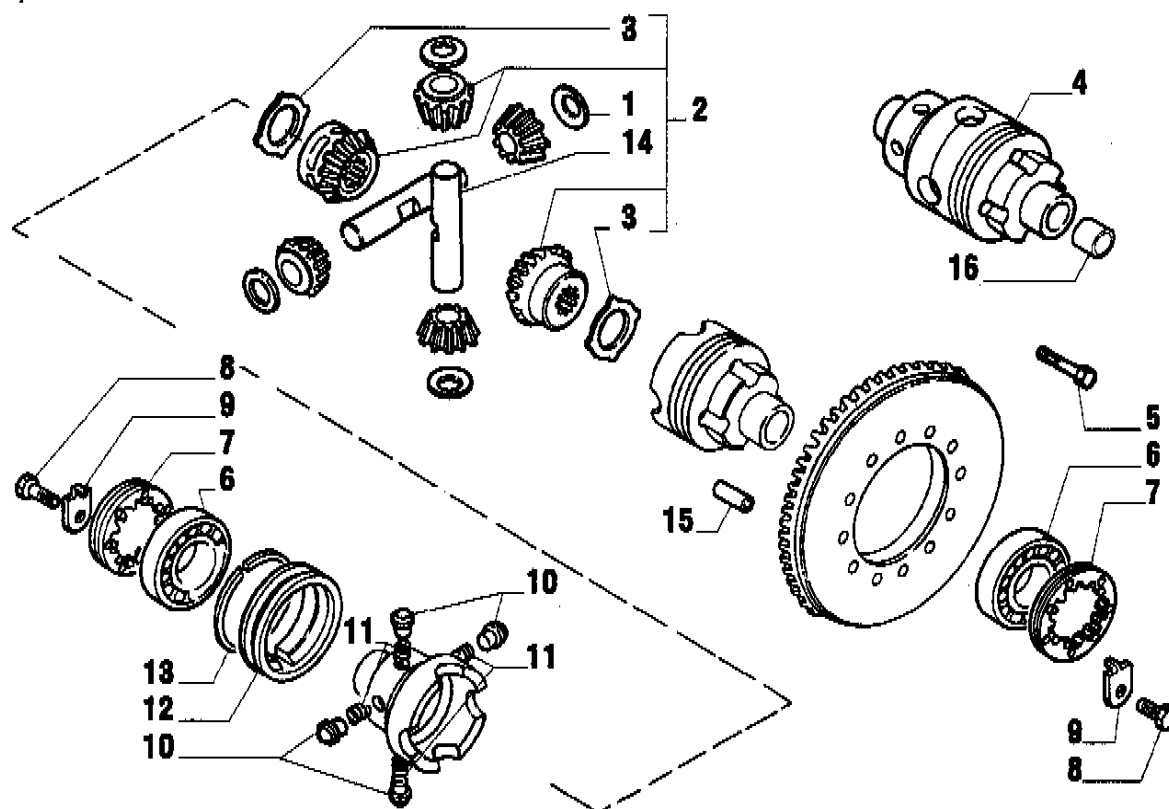
2.2

**MOD. N° 5629**

Pos.	Ref.	Q.ty	Description	Pos.	Ref.	Q.ty	Description
1	066074	1	Bevel gear/Pinion set Z=15/35				
2	113717	1	Lockwasher				
3	115054	1	Ring nut M40x1,5				
4	125829	2	Collapsible spacer				
5	126369	1	Collapsible spacer				
6	134186	-	Shim 2.50 mm				
6	134187	-	Shim 2.60 mm				
6	134188	-	Shim 2.70 mm				
6	134189	-	Shim 2.80 mm				
6	134190	-	Shim 2.90 mm				
6	134191	-	Shim 3.00 mm				
6	134192	-	Shim 3.10 mm				
6	134193	-	Shim 3.20 mm				
6	134194	-	Shim 3,30 mm				
6	134195	-	Shim 3.40 mm				
7	027395	1	Bearing				
8	129929	1	Cover				
9	027360	1	Bearing				
10	028212	1	O.ring				
11	134363	1	Oil seal 35x52x16				

28.28M CARRARO AXLE ref.134170**Differential****3.0**

Updated dec. '95

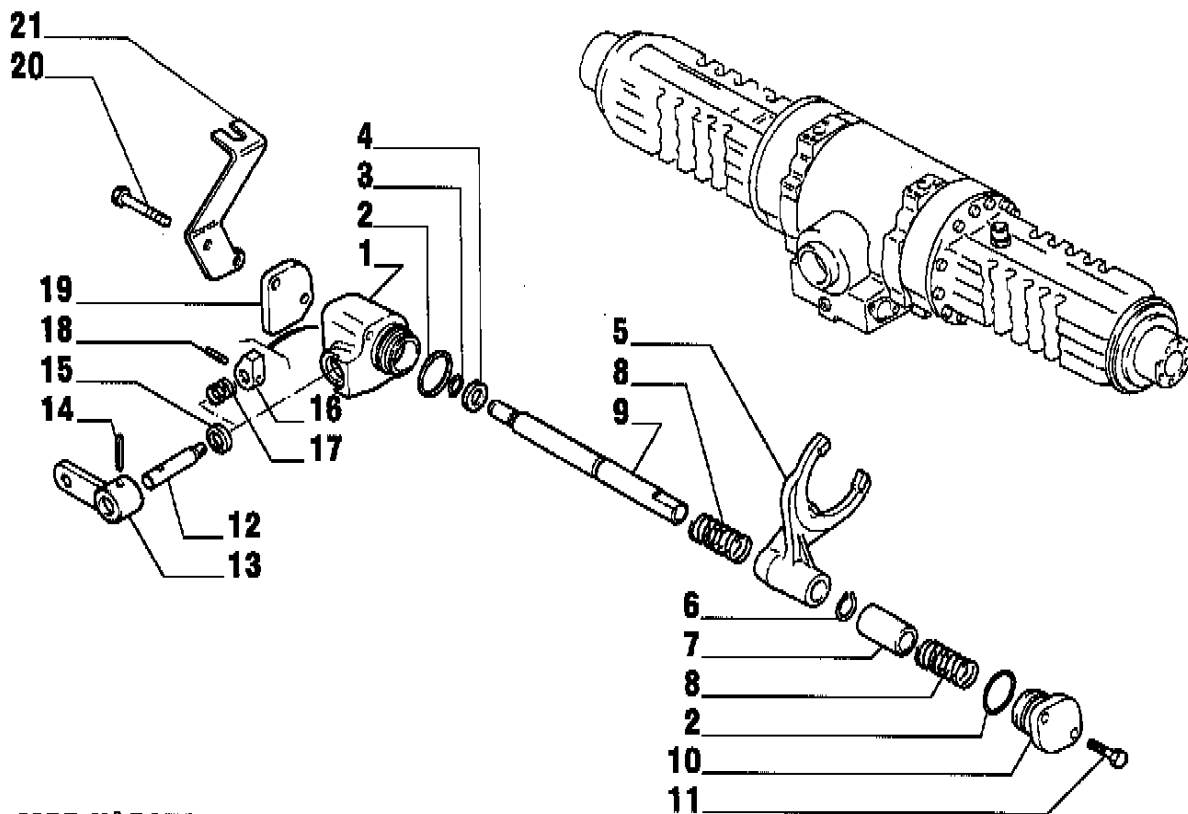


Pos.	Ref.	Q.ty	Description	Pos.	Ref.	Q.ty	Description
------	------	------	-------------	------	------	------	-------------

1	117171	4	Thrust washer				
2	066147	1	Differential kit				
3	133036	2	Thrust washer				
4	139232	1	Differential housing				
5	125551	10	Bolt M12x1.75x90 (Self locking)				
6	027367	2	Bearing				
7	125445	2	Ring nut				
8	128440	2	Screw M6x10 (Self locking)				
9	129118	2	Locking plate				
10	116896	4	Pin				
11	116898	4	Spring				
12	131592	1	Sleeve				
13	025077	1	Lock ring				
14	133035	2	Shaft				
15	117569	1	Pin D12x40				
16	131747	2	Bush 36x40x35				

28.28M CARRARO AXLE ref.134170**Differential lock system**

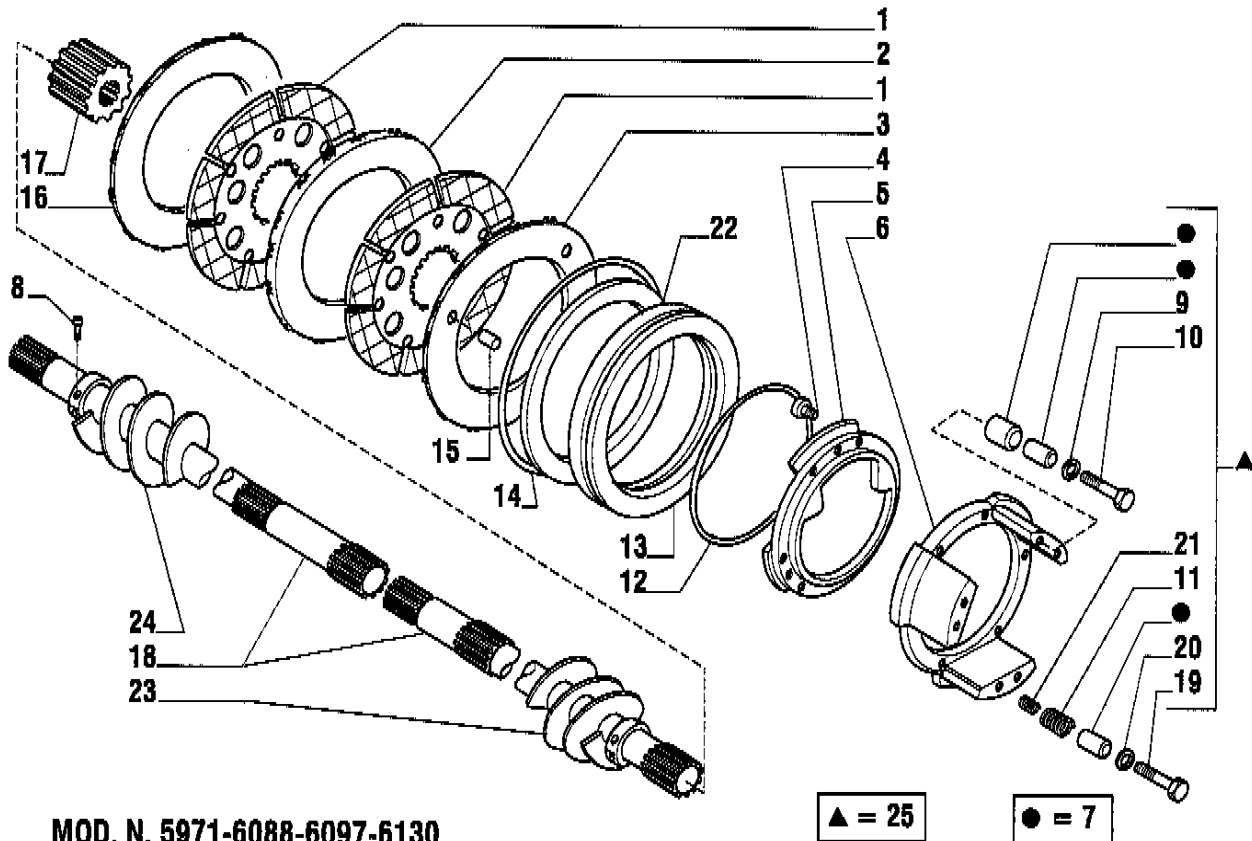
4.2

**MOD.N° 5856**

Pos.	Ref.	Q.ty	Description	Pos.	Ref.	Q.ty	Description
1	129018	1	Support				
2	028557	2	O.ring				
3	024768	1	Snap ring D.14				
4	129043	1	Spacer washer				
5	130311	1	Fork				
6	024776	1	Snap ring 20x1.75				
7	129032	1	Bush				
8	125756	2	Spring				
9	129040	1	Shaft				
10	128143	1	Cylinder support				
11	020793	2	Bolt M8x30				
12	129045	1	Pin				
13	129049	1	Control lever				
14	024441	1	Pin D6x36				
15	025178	1	Oil seal				
16	129046	1	Cam				
17	118067	1	Spring				
18	024462	1	Pin D6x20				
19	129031	1	Cover				
20	020805	2	Screw M8x70				
21	134349	1	Support				

28.28M CARRARO AXLE Ref. 134170

Brakes

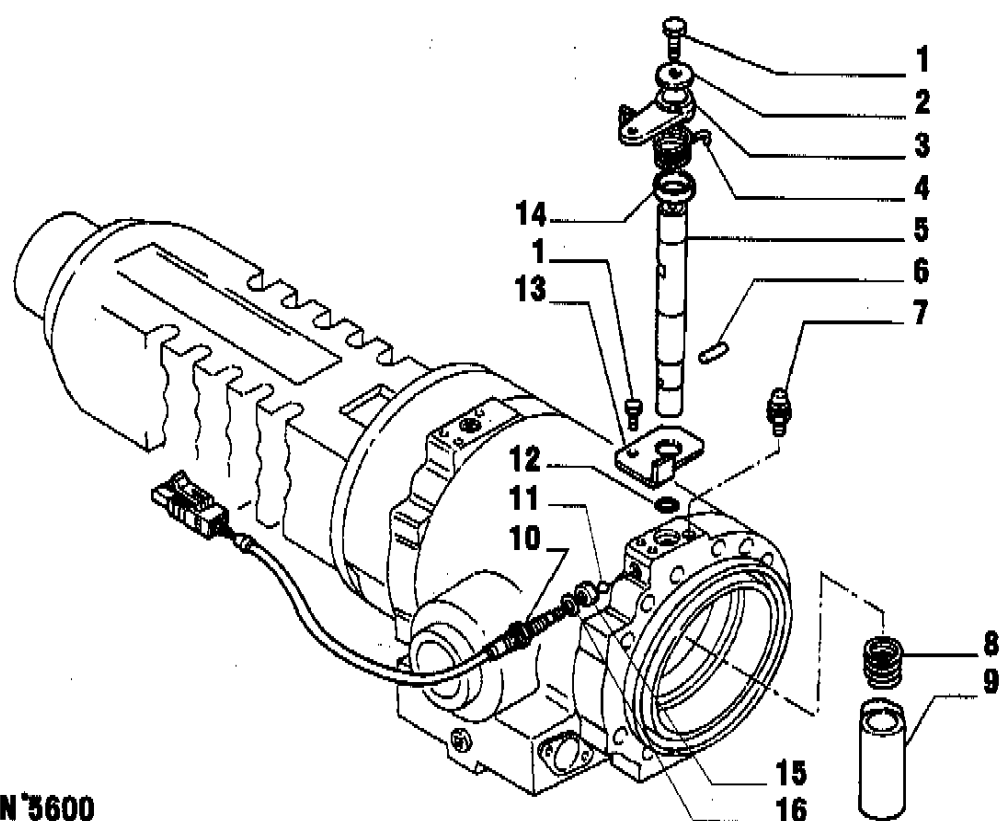


MOD. N. 5971-6088-6097-6130

▲ = 25

● = 7

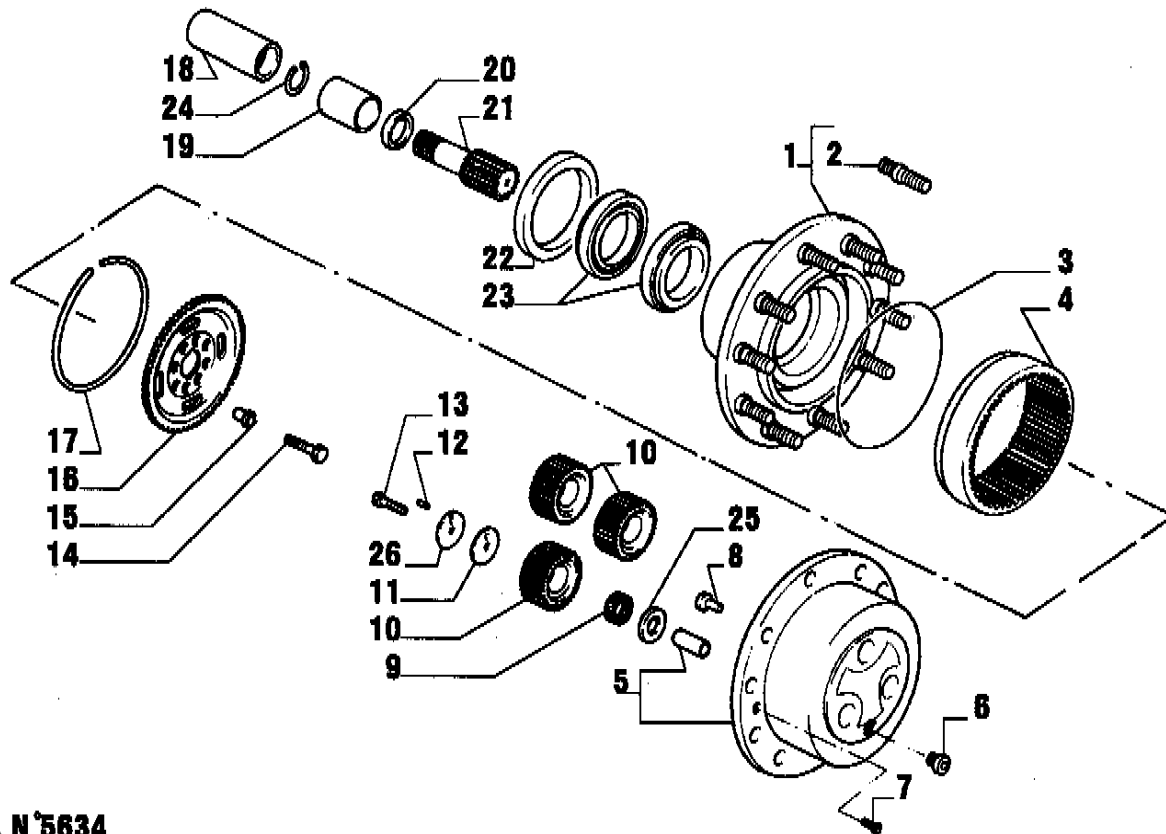
Pos.	Ref.	Q.ty	Description	Pos.	Ref.	Q.ty	Description
1	136132	4	Brake disc				
2	136644	2	Reaction plate				
3	136645	2	Reaction plate				
4	021313	18	Screw socket M8x1.25				
5	132609	2	Flange				
6	132608	2	Flange				
7	137245	1	Kit self adjust				
8	021372	2	Screw M6x18				
9	126292	6	Washer D.6,2x17,5x2				
10	020757	6	Screw M6x35				
11	135784	6	Spring				
12	133756	2	O.ring				
13	134173	2	Brake piston				
14	133757	2	O.ring				
15	024378	6	Split pin D5x14				
16	136648	2	Reaction plate				
17	132600	2	Sleeve				
18	133051	2	Half-shaft				
19	021377	6	Screw M6x35				
20	134043	6	Cover spring				
21	136783	6	Spring				
22	134174	2	Shim				
23	134345	2	Helix RH				
24	134346	1	Helix LH				
25	066590	2	Kit self-adjust (one side)				

28.28M CARRARO AXLE ref.134170**Brake control****6.1****MOD. N°3600**

Pos.	Ref.	Q.ty	Description	Pos.	Ref.	Q.ty	Description
1	127920	6	Bolt socket M8x20 (Self locking)				
2	132622	2	Washer				
3	133699	2	Lever				
4	133680	1	Spring R.H.				
4	133681	1	Spring L.H.				
5	133682	2	Shaft				
6	024462	2	Pin D6x20				
7	116792	2	Breather				
8	133552	2	Spring				
9	132504	2	Cam				
10	132896	2	Switch				
11	028265	4	Ball D.1/4"				
12	028120	2	O.ring				
13	132648	1	Bracket R.H.				
13	132649	1	Bracket L.H.				
14	133984	2	Spacer				
15	022166	-	Nut M8x1				
16	133728	-	Thickness mm 0.5				

28.28M CARRARO AXLE ref.134170**Wheel hubs and epicyclic reduction gears**

7.1

**MOD. N°5634**

Pos.	Ref.	Q.ty	Description	Pos.	Ref.	Q.ty	Description
1	066054	2	Wheel hub assy				
2	116957	20	Stud				
3	028579	2	O.ring				
4	125186	2	Crown gear				
5	066055	2	Planetary carrier assy				
6	125280	2	Oil plug				
7	020490	4	Bolt Count. M8x20				
8	115682	2	Thrust pin				
9	028297	16.8	Needle bearing (by tens)				
10	128714	6	Planetary gear				
11	125134	6	Thrust washer				
12	134950	6	Pin				
13	125229	6	Bolt M10x1.25x50 (Self locking)				
14	119906	16	Screw M14x1.5x65 (Self lock.)				
15	125189	2	Centering bush D.24				
15	125190	14	Centering bush D.20				
16	125194	2	Wheel carrier				
17	125233	2	Lockring				
18	129010	2	Coupling				
19	125390	2	Bush				
20	025153	2	Oil seal 35x50x10				
21	129009	2	Drive shaft				
22	047705	2	Cassette seal				
23	118370	4	Bearing				
24	024875	2	Lockring D.30				
25	128731	6	Thrust washer				
26	132318	6	Thrust washer				