

MARCH '95

26.18-LP CARRARO AXLE ref. 134217
For "FERMEC"
Spare Parts List

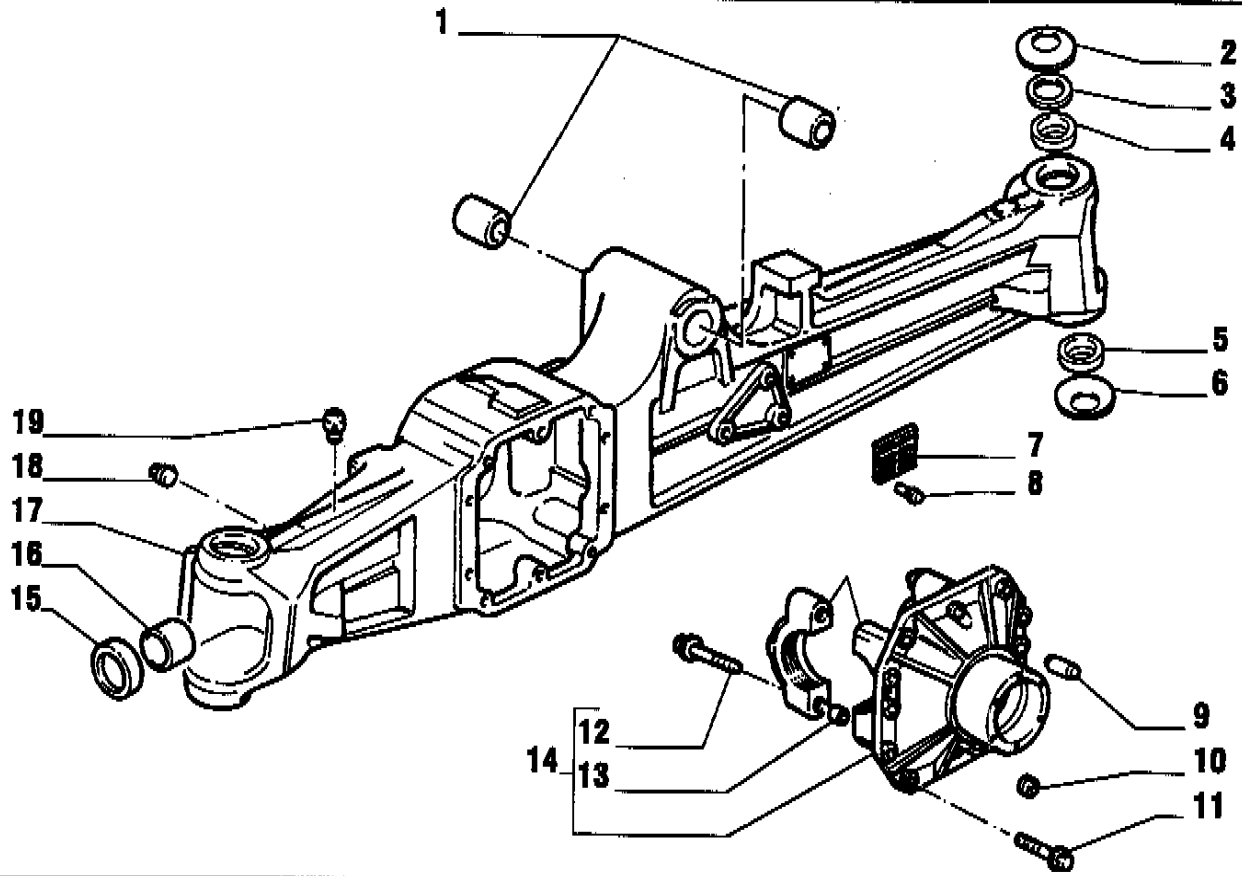
26.18-LP CARRARO AXLE ref. 134217

For "FERMEC"

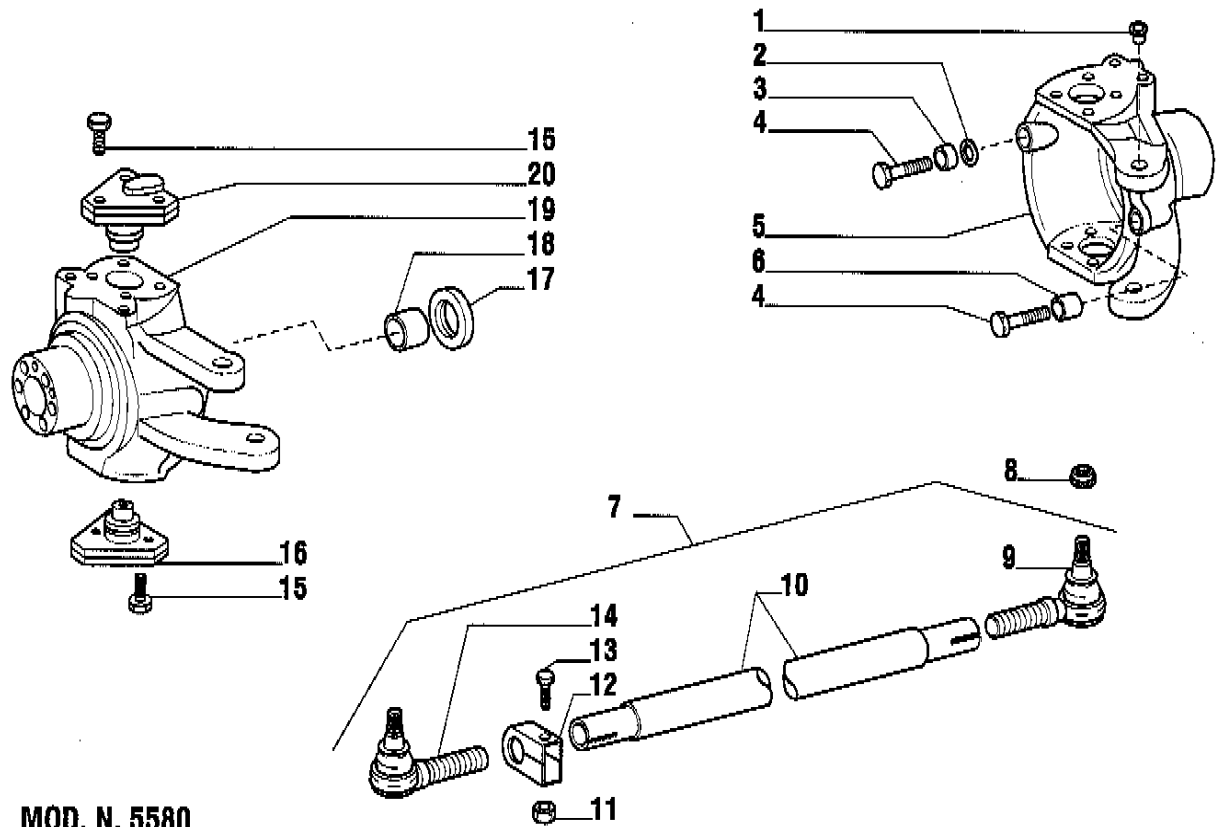
SPARE PARTS LIST

INDEX OF PAGES

- 1.0 Axle housing
- 2.1 Swivel housing and tie rod
- 3.1 Bevel Gear/Pinion Set
- 4.0 Differential
- 5.0 Drive shafts
- 6.0 Wheel hub and epicyclic reduction gears

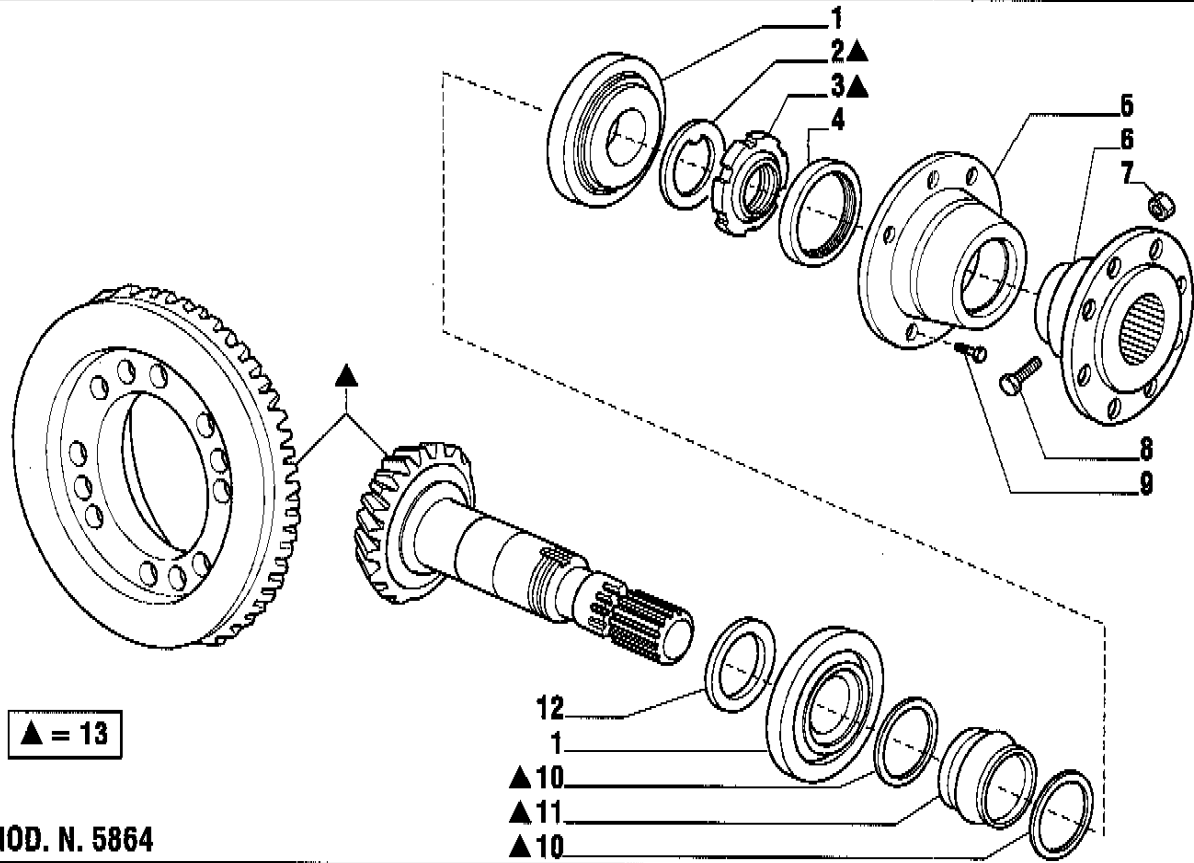


Pos.	Ref.	Q.ty	Description	Pos.	Ref.	Q.ty	Description
1	120121	2	Bushing				
2	128633	2	Belleville washer				
3	131265	2	Spacer washer				
4	123641	2	Bush				
5	123728	2	Spherical bearing				
6	128630	2	Belleville washer				
7	123147	1	Plate				
8	023827	4	Rivet D3.2				
9	087860	2	Pin D.15x35				
10	021565	1	Drain plug M.22x1,5 DIN 906				
11	125827	10	Bolt 12.9 M12x1.75x33				
12	126022	4	Bolt 12.9 M14x2x75				
13	072235	4	Centering bush				
14	125836	1	Differential support Assy				
15	116723	2	Oil seal 42x62x14				
16	118547	2	Bush				
17	129868	1	Axle housing				
18	092270	1	Oil plug M22x1.5				
19	104988	1	Breather M10x1				



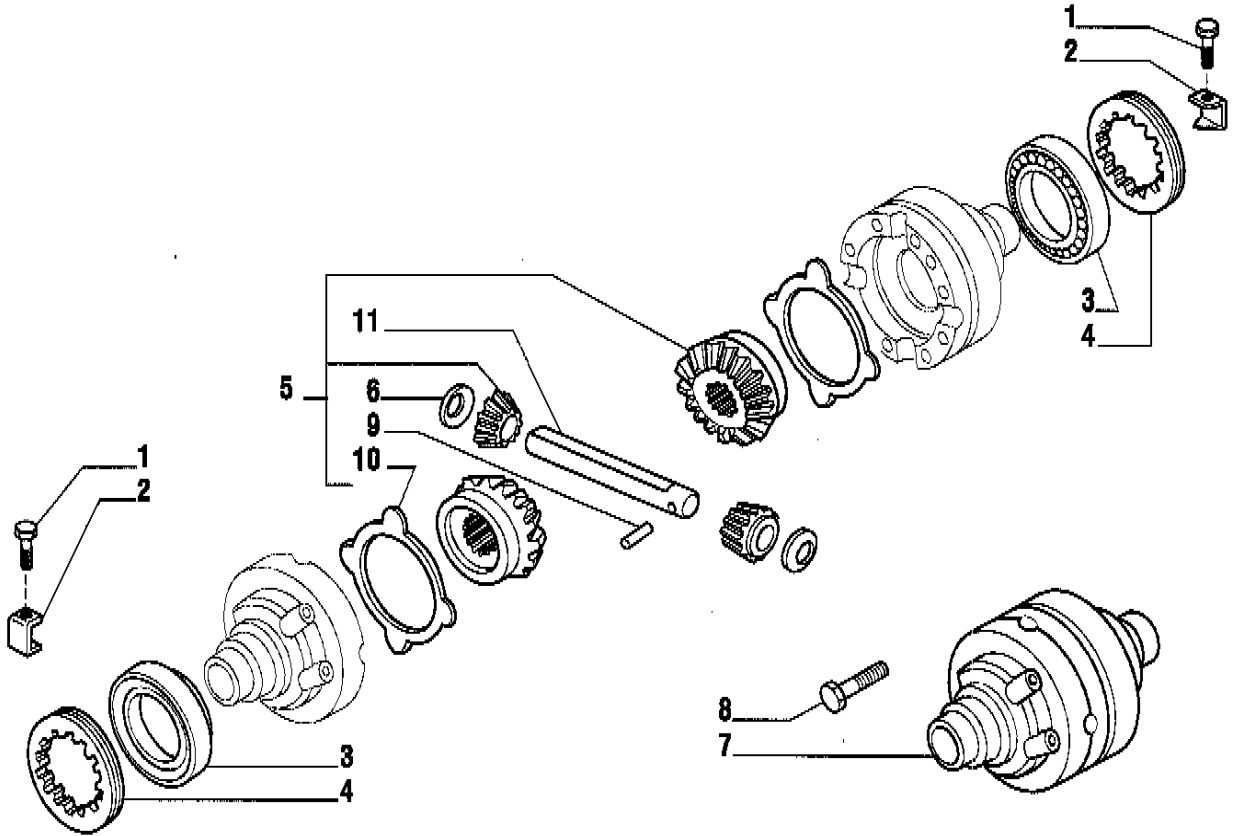
MOD. N. 5580

Pos.	Ref.	Q.ty	Description	Pos.	Ref.	Q.ty	Description
1	132099	1	Bush				
2	101035	-	Shim 1mm				
3	132672	2	Bush				
4	117357	4	Bolt M14x60				
5	132658	1	Swivel housing R.H.				
6	120387	2	Bush 30x14,5x28				
7	124925	1	Tie rod assy				
8	022433	2	Nut M16x1,5 (Self-lock)				
9	088759	1	Ball joint (L.H. Thread)				
10	123736	1	Tie rod				
11	022440	2	Nut M16x1,5 (Self-lock)				
12	114840	2	Clamp				
13	021199	2	Bolt M16x1,5x65				
14	087031	1	Ball joint (R.H. Thread)				
15	126922	12	Bolt M14x2x35 (Self-lock)				
16	130466	2	King pin				
17	116722	2	Oil seal 35x52x16				
18	109972	2	Bush				
19	119945	1	Swivel housing L.H.				
20	130465	2	King pin				



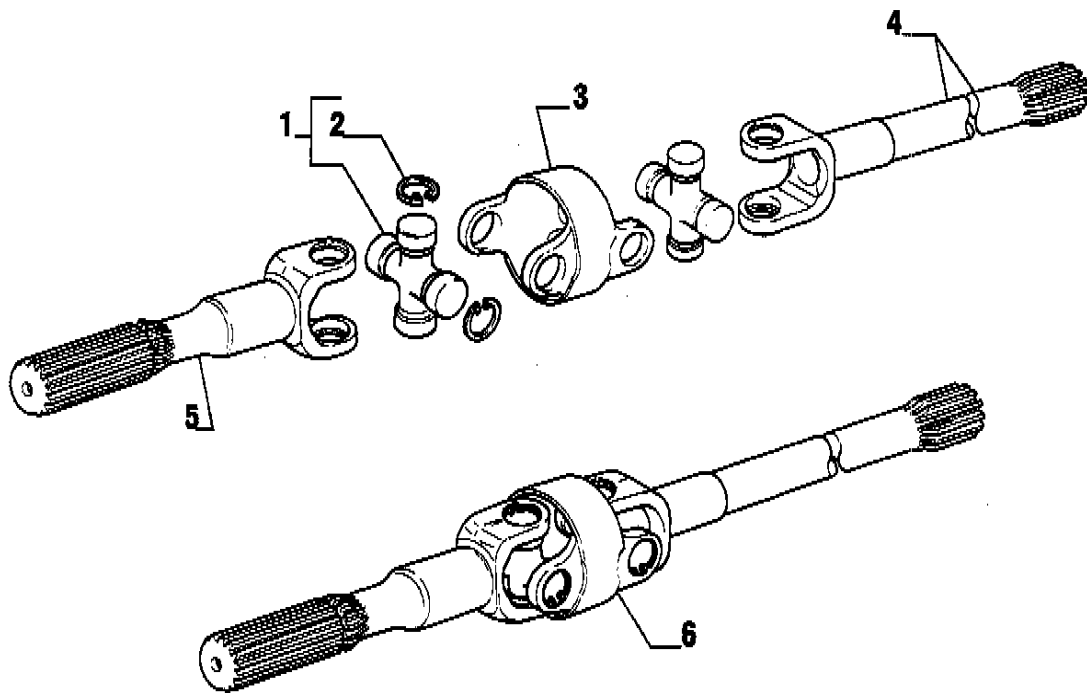
MOD. N. 5864

Pos.	Ref.	Q.ty	Description	Pos.	Ref.	Q.ty	Description
1	027360	2	Bearing				
2	113717	1	Lockwasher				
3	115064	1	Ring nut M40x1,5				
4	116722	1	Oil seal 35x52x16				
5	116370	1	Cover				
6	117382	1	Flange				
7	022411	2	Nut M10x1,25 (Self locking)				
8	021105	2	Bolt M10x60				
9	020746	6	Bolt M6x16				
10	125829	2	Collapsible washer				
11	125806	1	Spacer				
12	132265	-	Shim 2,5mm				
12	132266	-	Shim 2,6mm				
12	132267	-	Shim 2,7mm				
12	132268	-	Shim 2,8mm				
12	132269	-	Shim 2,9mm				
12	132270	-	Shim 3,0mm				
12	132271	-	Shim 3,1mm				
12	132272	-	Shim 3,2mm				
12	132273	-	Shim 3,3mm				
12	132274	-	Shim 3,4mm				
13	065675	1	Bevel gear/Pinion set Z=10/32				



Pos.	Ref.	Q.ty	Description	Pos.	Ref.	Q.ty	Description
------	------	------	-------------	------	------	------	-------------

1	126440	2	Screw M6x10 (Self locking)
2	107778	2	Locking plate
3	027308	2	Bearing
4	107400	2	Ring nut
5	086161	1	Differential kit
6	115730	2	Thrust washer
7	127711	1	Differential housing
8	125552	12	Bolt M10x1,5x75 (Self-locking)
9	116451	1	Pin D.7x40
10	120361	2	Thrust washer
11	115731	1	Shaft

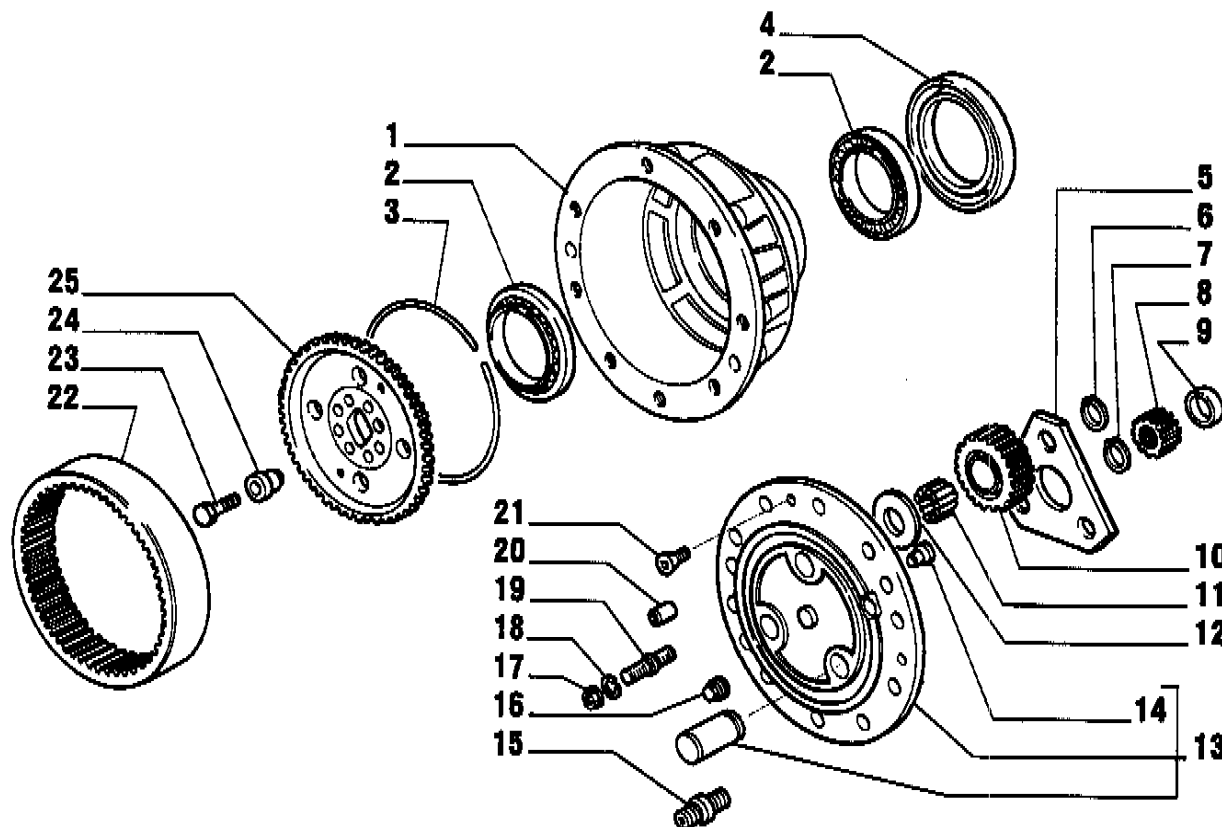


Pos.	Ref.	Q.ty	Description	Pos.	Ref.	Q.ty	Description
------	------	------	-------------	------	------	------	-------------

1	040823	4	Spider				
2	040822	16	Snap ring				
3	040824	2	Central body				
4	040882	1	* Half shaft (differential side)				
4	040883	1	** Half shaft (differential side)				
5	040821	2	Half shaft (Wheel Side)				
6	125935	1	Drive shaft (long)				
6	125936	1	Drive shaft (short)				

* For drive shaft ref.125936

** For drive shaft ref.125835



Pos.	Ref.	Q.ty	Description	Pos.	Ref.	Q.ty	Description
1	118376	2	Wheel hub				
2	118370	4	Bearing 37431A/37625				
3	125555	2	Lockring				
4	047705	2	Cassette seal				
5	116458	2	Thrust washer				
6	024789	6	Snap ring D.34 DIN 471				
7	024784	2	Snap ring D.29 - DIN 471				
8	115843	2	Sun gear				
9	127592	2	Spacer				
10	115544	6	Planetary gear				
11	028284	18	Needle bearing (by tens)				
12	115834	6	Thrust washer				
13	065417	2	Planetary carrier assy				
14	115682	2	Thrust pin				
15	106199	12	Stud				
16	092270	2	Oil plug M22x1.5				
17	115812	16	Nut DIN 74361/2B				
18	119505	16	Washer C18,5 DIN 74361/2B				
19	120853	4	Stud with collar				
20	115840	4	Pin D18x36				
21	020510	4	Screw 10.9 M12x30 UNI 5933				
22	125549	2	Crown gear				
23	119906	8	Screw 10.9 M14x1,5x65 (Self lock.)				
24	125189	2	Centering bush D.24				
24	125190	6	Centering bush D.20				
25	125550	2	Wheel carrier				