

AUGUST '95

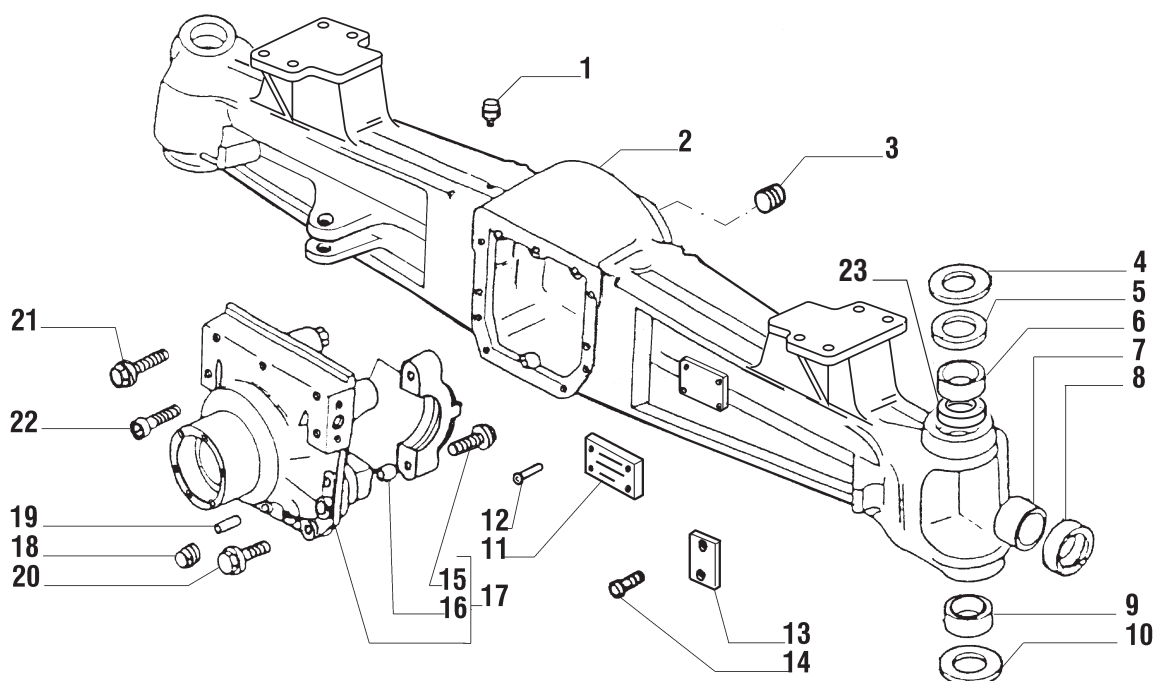
26.25 FR CARRARO AXLE REF. 134238
For "FERMEC"
Spare Parts List

26.25 FR CARRARO AXLE REF. 134238
for "FERMEC"

SPARE PARTS LIST

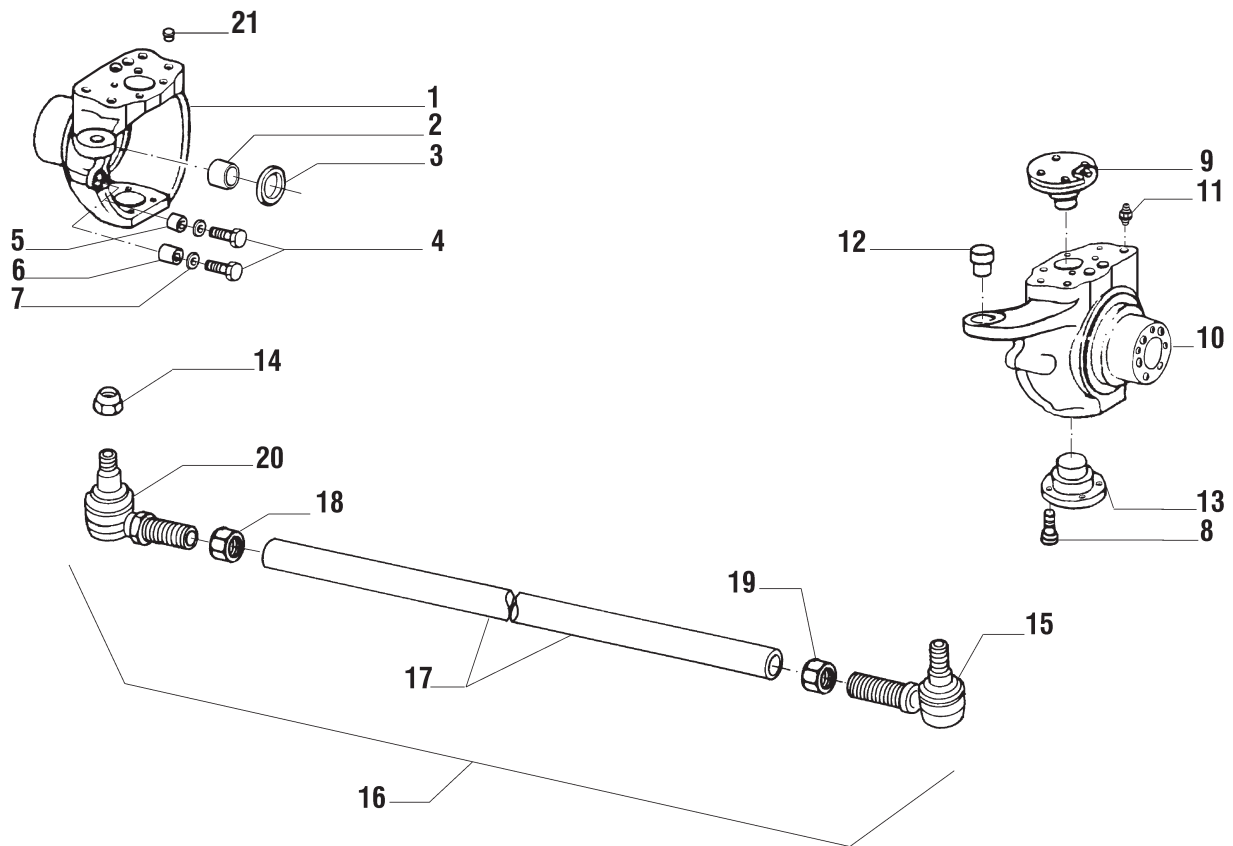
INDEX OF PAGES

1.0	Axle housing
2.0	Swivel housing and steering cylinder
3.0	Bevel gear/pinion set
4.0	Differential
5.0	Drive shafts
6.0	Wheel hub and Epicyclic Reduction
7.0	Potentiometer
8.0	Differential lock

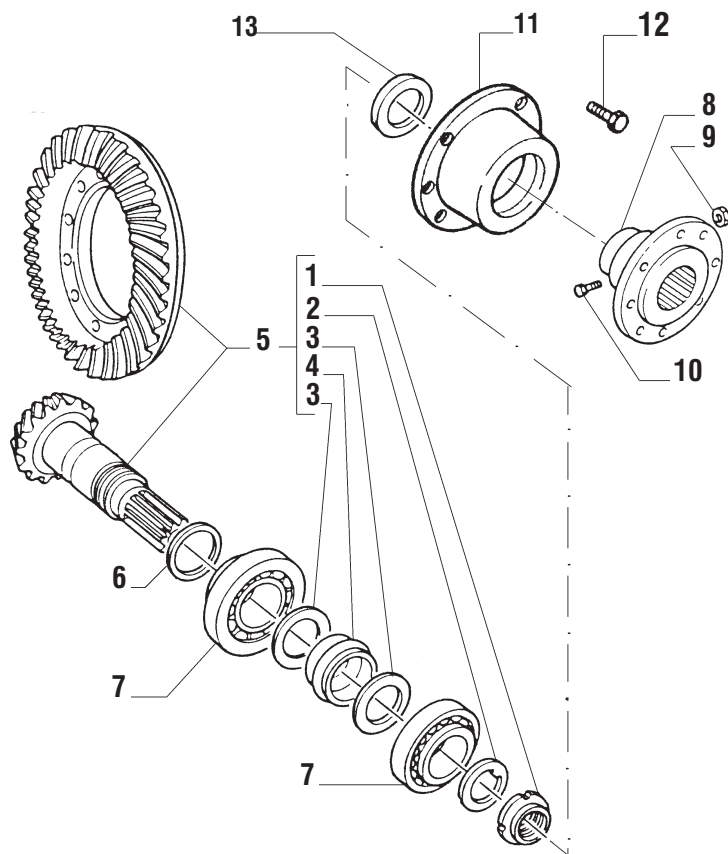


Pos.	Ref.	Q.	Description	Pos.	Ref.	Q.	Description
1	104988	1	Breather M10x1				
2	066266	1	* Axle housing				
3	128050	1	Drain plug M.24				
4	128632	2	Belleville washer				
5	131276	2	Spacer washer				
6	123660	2	Bush				
7	116962	2	Bush				
8	118675	2	Oil seal "COMBI" 40x55x10				
9	027693	2	Bearing				
10	128631	2	Belleville washer				
11	123147	1	Plate				
12	023827	4	Rivet D.3,2				
13	130534	4	Plate				
14	021369	8	Screw M6x10 (Self locking)				
15	126022	4	Bolt				
16	072235	4	Centering bush				
17	129764	1	Differential support				
18	092270	1	Oil plug				
19	087660	2	Pin D.15x35				
20	126334	2	Bolt				
21	125827	5	Bolt M12x33				
22	021427	3	Bolt M12x60				
23	-	2	Washer, inner thoothed (not serviceable)				

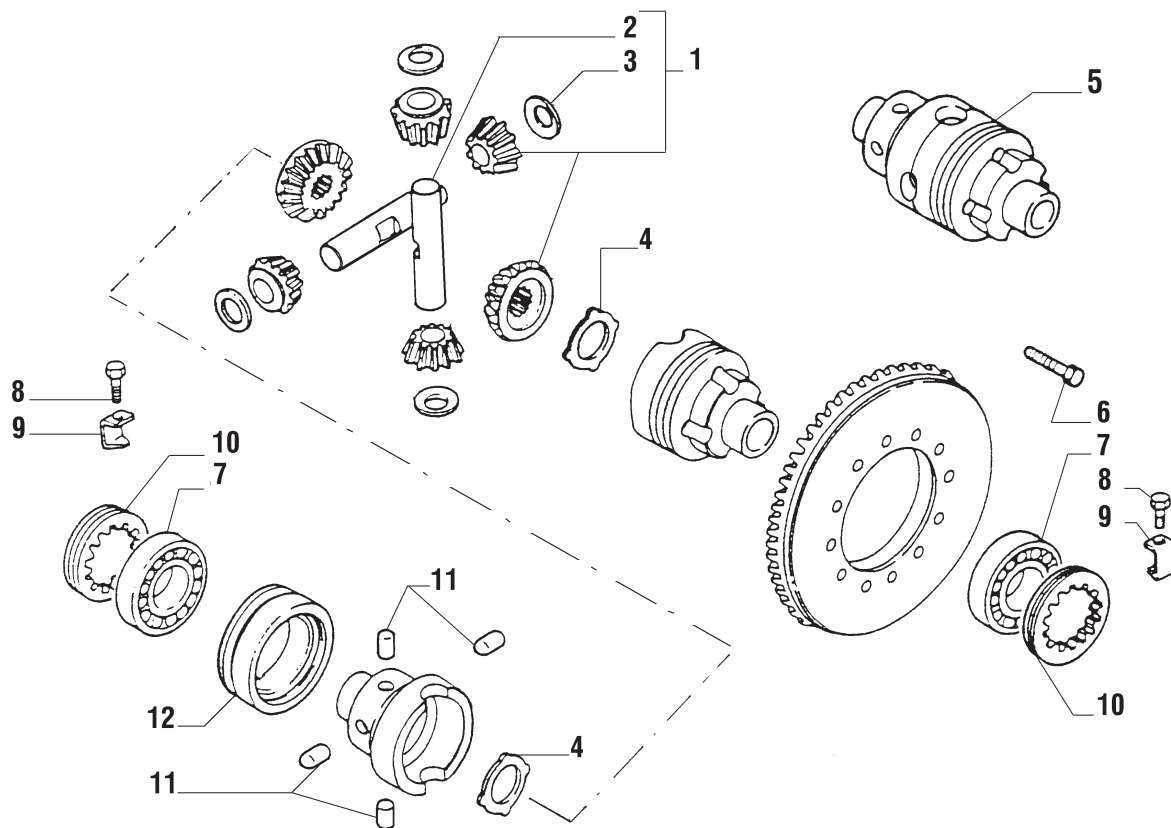
* Includes items pos. 23 and 7



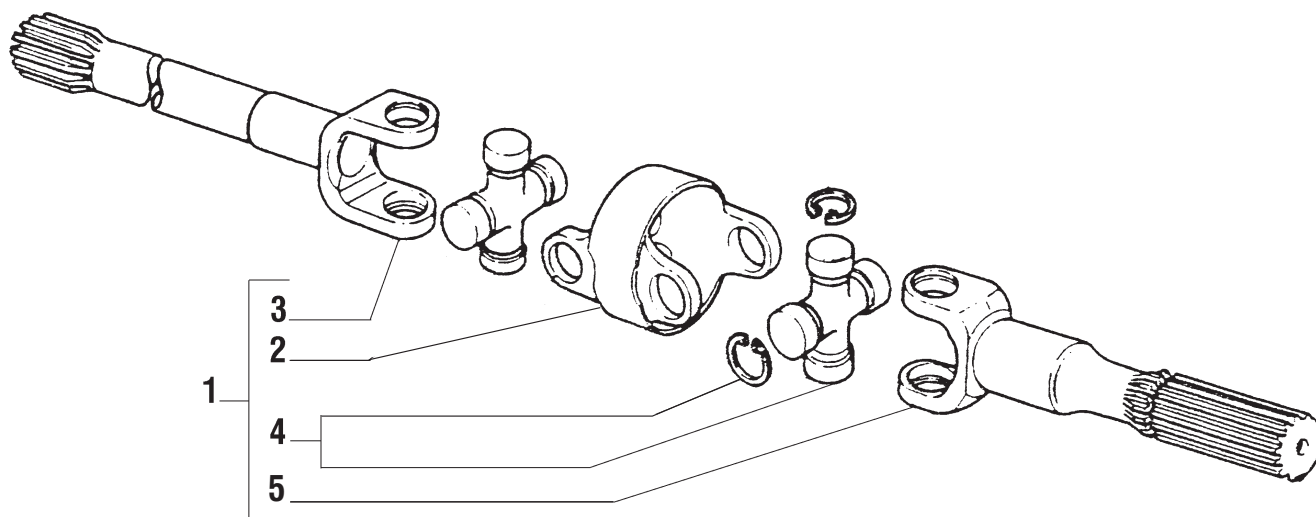
Pos.	Ref.	Q.	Description	Pos.	Ref.	Q.	Description
1	134185	1	Swivel housing L.H.				
2	125161	2	Bushing				
3	125235	2	Oil seal "COMBI" 48x65x11				
4	123206	4	Bolt M 14x95				
5	134995	2	Spacer 30x14,5x45				
6	134994	2	Spacer 30x14,5x52				
7	101035	4	Shim 1 mm				
8	126923	16	Bolt 10.9 M16x2x36 (Self locking)				
9	131896	2	King pin				
10	134184	1	Swivel housing R.H.				
11	116792	2	Breather M10x1				
12	132099	1	Bush				
13	130428	2	King pin				
14	022431	2	Nut R80 M20x1,5				
15	351209	1	Ball joint D.35				
16	133437	1	Tie rod assy				
17	134033	1	Tie Rod				
18	107759	1	Nut				
19	107760	1	Nut				
20	351238	1	Ball joint D.35 L.H.				
21	030740	2	Oil plug KAPSTO				



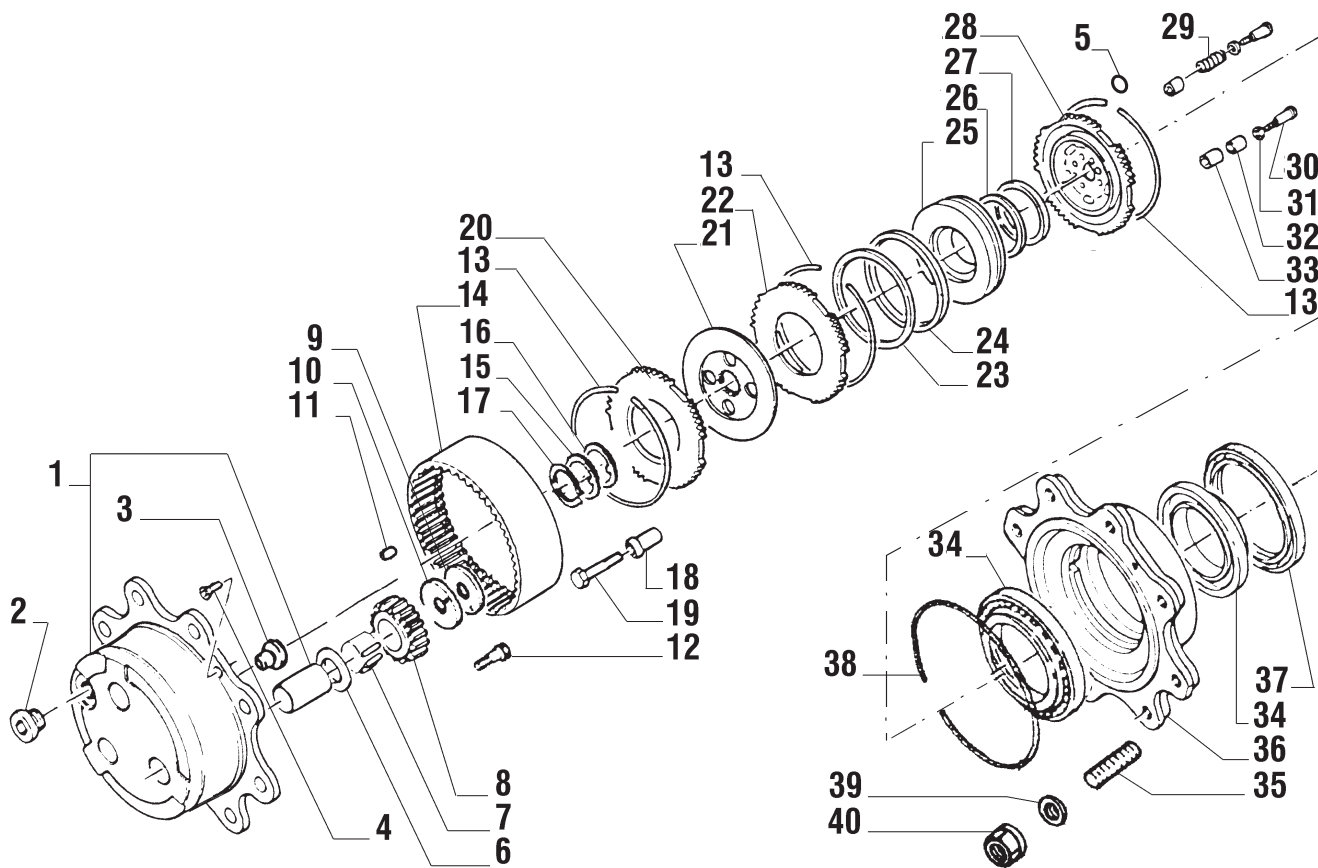
Pos.	Ref.	Q.	Description	Pos.	Ref.	Q.	Description
1	115054	1	Ring nut				
2	113717	1	Lockwasher				
3	125829	2	Washer				
4	125806	1	Collapsible spacer				
5	065526	1	Bevel gear/pinion set Z=13-31				
6	132265	-	Shim 2,50mm				
6	132266	-	Shim 2,60mm				
6	132267	-	Shim 2,70mm				
6	132268	-	Shim 2,80mm				
6	132269	-	Shim 2,90mm				
6	132270	-	Shim 3,00mm				
6	132271	-	Shim 3,10mm				
6	132272	-	Shim 3,20mm				
6	132273	-	Shim 3,30mm				
6	132274	-	Shim 3,40mm				
7	130807	2	Bearing				
8	117362	1	Flange				
9	022411	2	Nut R80 M10x1,25 (Self locking)				
10	021105	2	Bolt 8.8 M10x55				
11	116370	1	Cover				
12	020746	6	Screw M6x16				
13	116722	1	Oil seal 35x52x16				



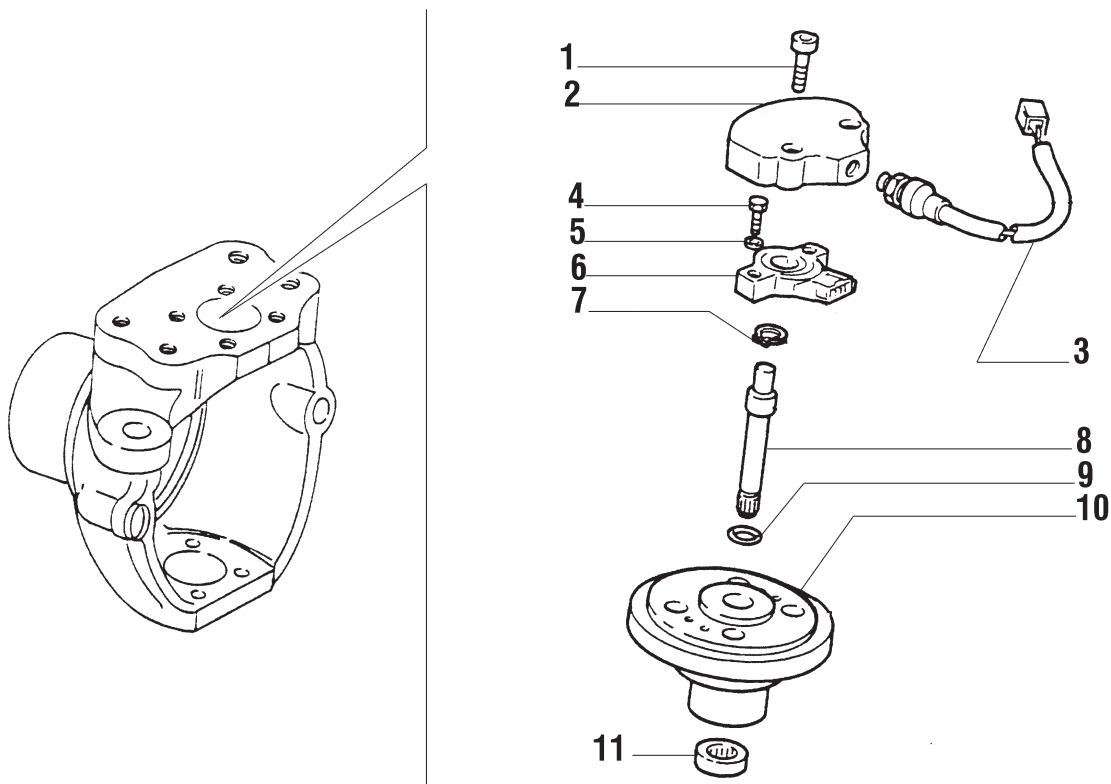
Pos.	Ref.	Q.	Description	Pos.	Ref.	Q.	Description
1	066189	1	Differential kit				
2	116369	2	Shaft				
3	115730	4	Thrust washer				
4	120361	2	Thrust washer				
5	134693	1	Differential housing				
6	125552	12	Bolt M10x1,5x75 (Self locking)				
7	027309	2	Bearing 30210				
8	128440	2	Screw M6x10 (Self locking)				
9	107778	2	Locking plate				
10	107400	2	Ring nut				
11	128955	4	Pin				
12	134691	1	Sleeve				



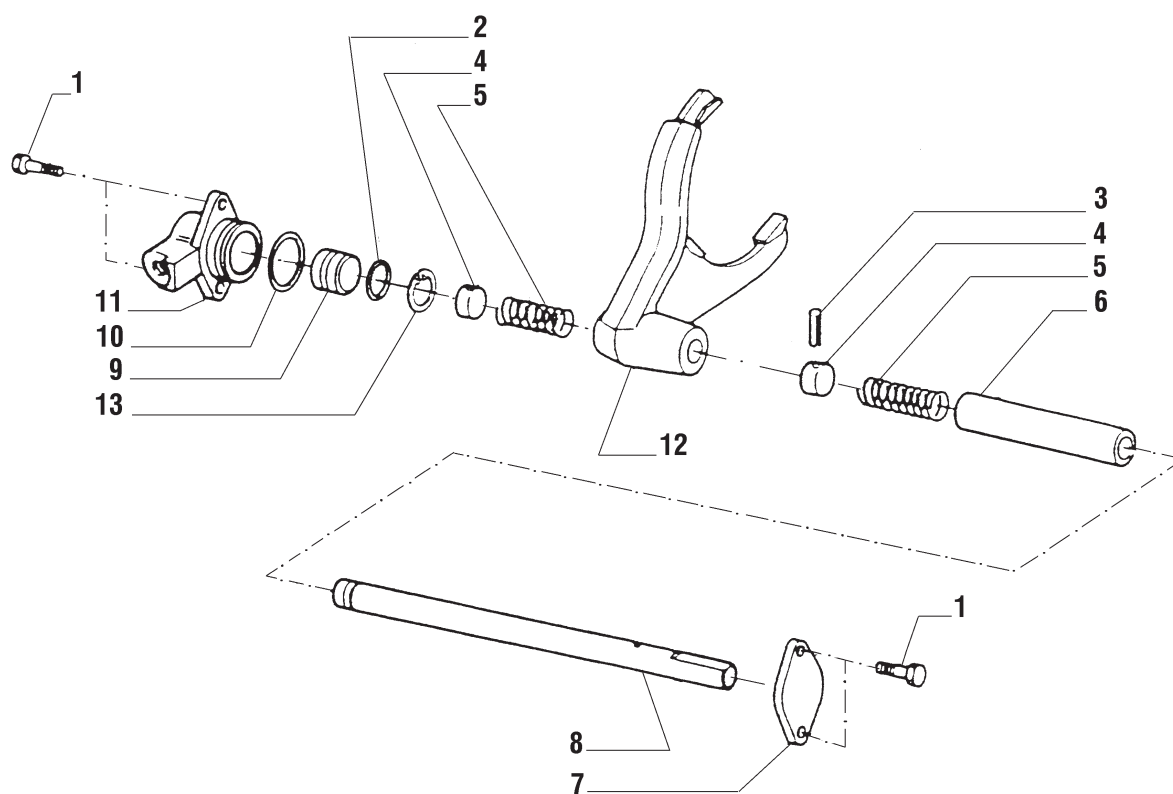
Pos.	Ref.	Q.	Description	Pos.	Ref.	Q.	Description
1	134220	1	Drive shaft B320 52° D				
2	046285	2	Central body				
3	046287	2	Half shaft Differential side				
4	040837	4	Spider				
5	046284	2	Half shaft Wheel side				



Pos.	Ref.	Q.	Description	Pos.	Ref.	Q.	Description
1	066264		Planetary carrier	27	123972	2	Quadring
2	125280	2	Drain plug	28	134677	1	Wheel carrier R.H.
3	115682	2	Pad	28	134178	1	Wheel carrier L.H.
4	020490	4	Screw M8x20	29	126297	6	Spring
5	028526	4	O.ring 2031	30	020754	12	Screw M6x30
6	128731	6	Thrust washer	31	126292	12	Washer
7	028297	16,8	Needle bearing	32	126696	12	Bushing
8	128714	6	Planetary gear	33	123622	6	Split pin
9	125134	6	Washer	34	118370	4	Bearing
10	132319	6	Washer	35	116957	20	Stud
11	134350	6	Pin	36	134230	2	Wheel hub
12	125229	6	Bolt	37	047705	2	Cassette seal
13	125233	6	Ring	38	028642	2	O. ring
14	134235	2	Crown gear	39	119504	20	Washer
15	132779	4	Ring	40	119503	20	Nut
16	132780	2	Ring				
17	024800	2	Snap ring				
18	125189	2	Bush				
18	125190	14	Bush				
19	119906	16	Bolt M14x1,5x65				
20	134179	2	Reaction plate				
21	134181	2	Brake disk				
22	134180	2	Reaction plate				
23	124006	2	Antiextrusion ring				
24	121271	2	Quadring				
25	124004	2	Brake piston				
26	124005	2	Antiextrusion ring				



Pos.	Ref.	Q.	Description	Pos.	Ref.	Q.	Description
1	021397	4	Bolt 8.8 M8x45				
2	134715	2	Cover				
3	133443	2	Potentiometer				
4	020701	4	Bolt 8.8 M4x20				
5	023060	4	Washer D4				
6	131897	2	Potentiometer				
7	024859	2	Seeger D.15				
8	131894	2	Potentiometer pin				
9	028111	2	O.ring D.I 15,34x2,62				
10	-	-	See pos. 9 Tav. 2.0				
11	-	-	See pos. 10 Tav.1.0				



Pos.	Ref.	Q.	Description	Pos.	Ref.	Q.	Description
1	020778	4	Bolt 8.8 M8x20				
2	028118	1	O.ring				
3	024334	1	Split pin D.3x20				
4	126038	2	Lockring				
5	126085	2	Spring				
6	126039	1	Bush				
7	126042	1	Flange				
8	130988	1	Shaft				
9	126040	1	Piston				
10	028557	1	O.ring 2-128				
11	130780	1	Cylinder support				
12	126036	1	Fork				
13	024765	1	Snap ring D.12				