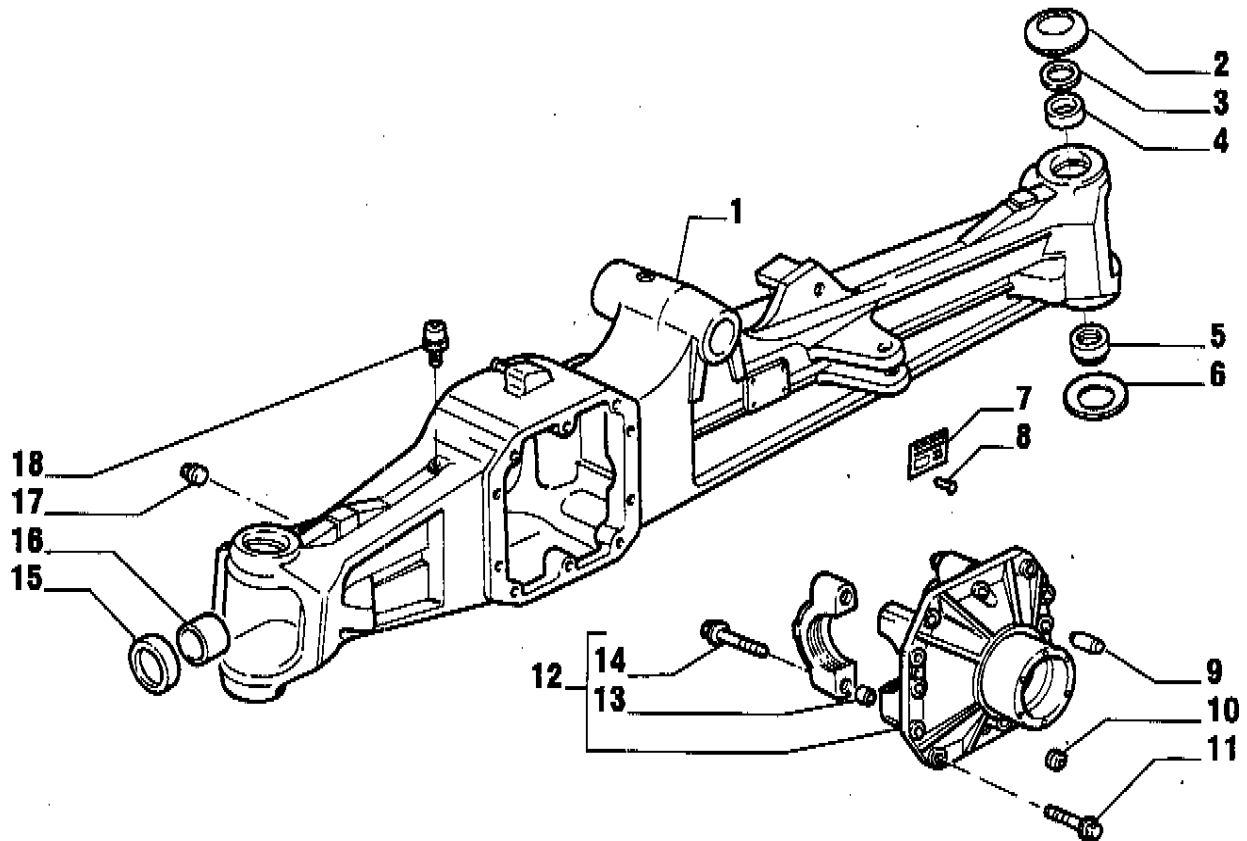


**JULY '96**

**26,18 LP CARRARO AXLES ref. 134213-134324**  
**For "FERMEC"**  
**Spare Parts List**

**26.18 LP CARRARO AXLES Ref. 134213 - 134324**  
**Axle housing**

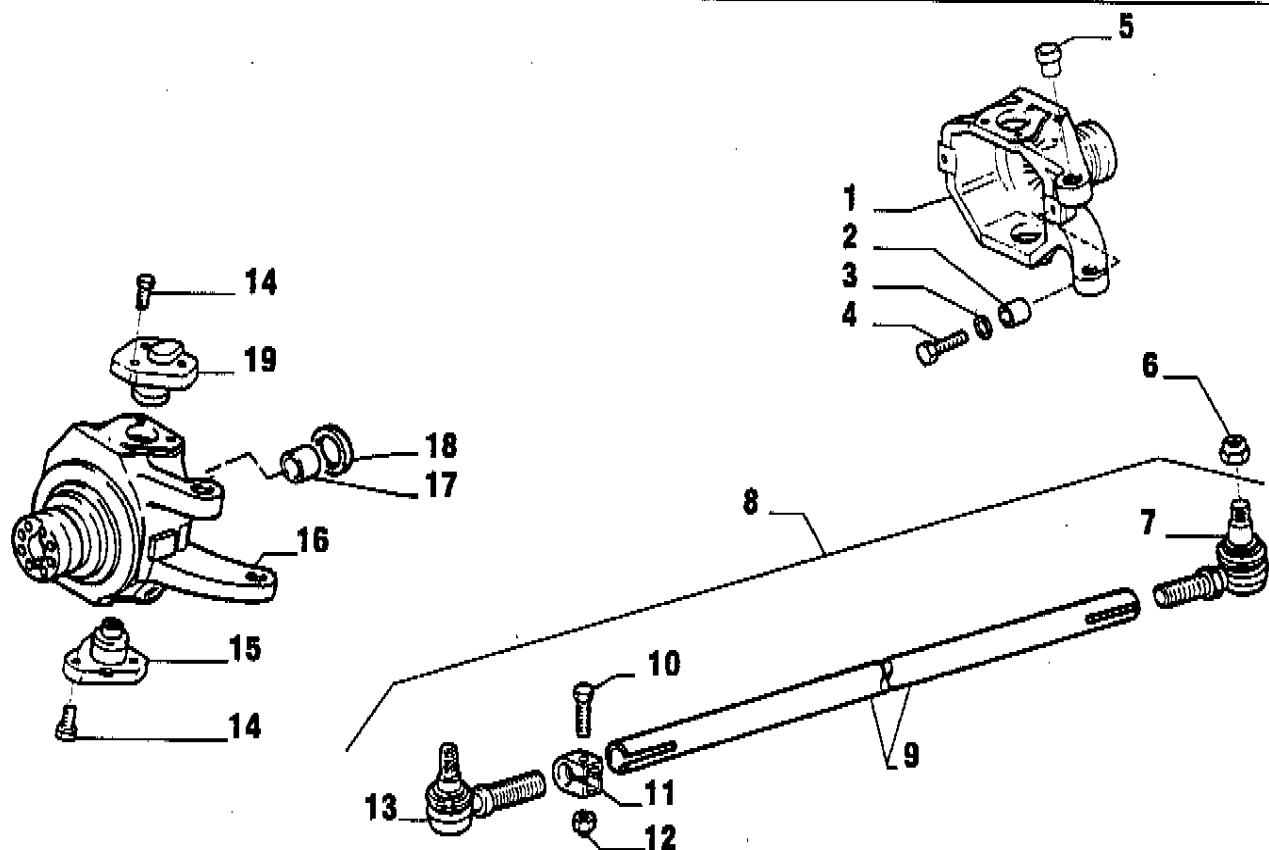
1.0



Pos.	Ref.	Q.ty	Description	Pos.	Ref.	Q.ty	Description
1	130046	1	Axle housing				
2	128633	2	Belleville washer				
3	131265	2	Spacer washer				
4	123641	2	Bush				
5	123726	2	Spherical bearing				
6	128630	2	Belleville washer				
7	123147	1	Plate				
8	023827	1	Rivet D3.2				
9	087660	2	Pin D.15x35				
10	021565	1	Drain plug M.22x1,5 DIN 906				
11	125827	10	Bolt 12.9 M12x1.75x33				
12	125836	1	Differential support Assy				
13	072236	4	Centering bush				
14	126022	4	Bolt 12.9 M14x2x75				
15	116723	2	Oil seal 42x62x14				
16	118547	2	Bush				
17	092270	1	Oil plug M22x1.5				
18	104988	1	Breather M10x1				

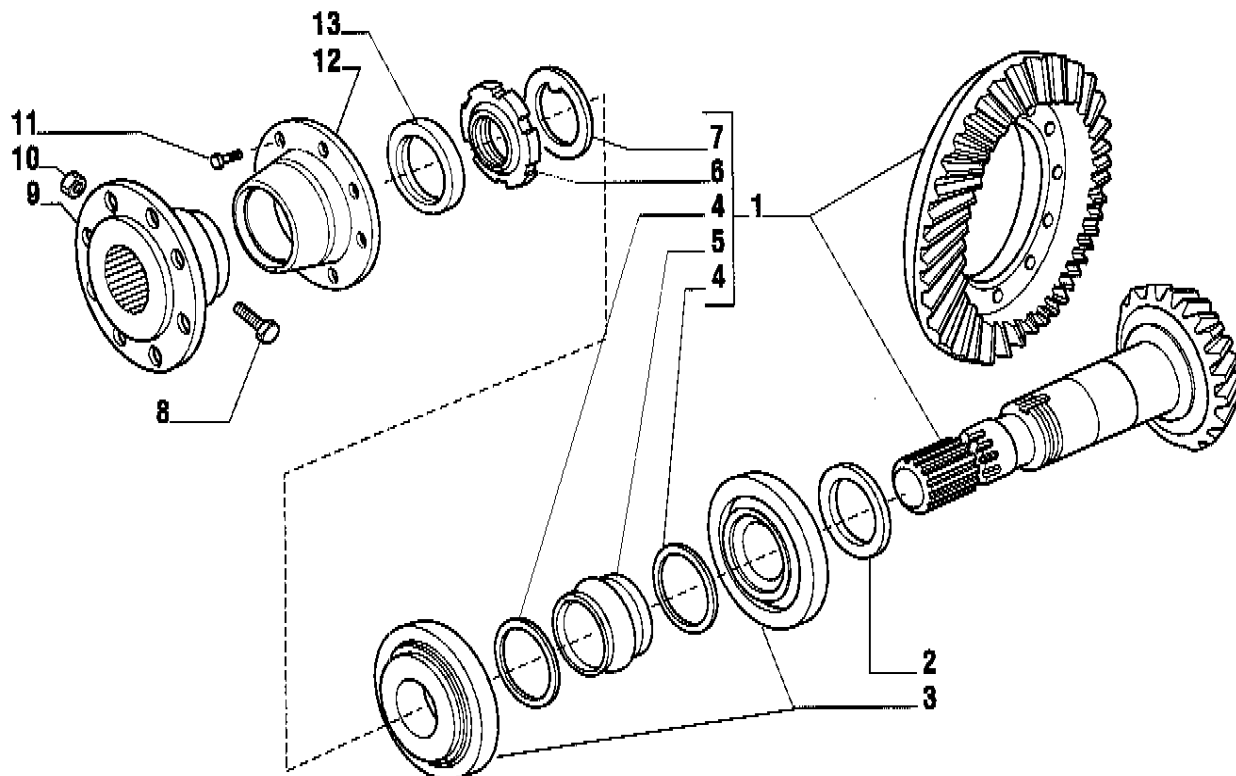
**26.18 LP CARRARO AXLES Ref. 134213 - 134324**  
**Swivel housing and tie rod**

2.0



Pos.	Ref.	Q.ty	Description	Pos.	Ref.	Q.ty	Description
------	------	------	-------------	------	------	------	-------------

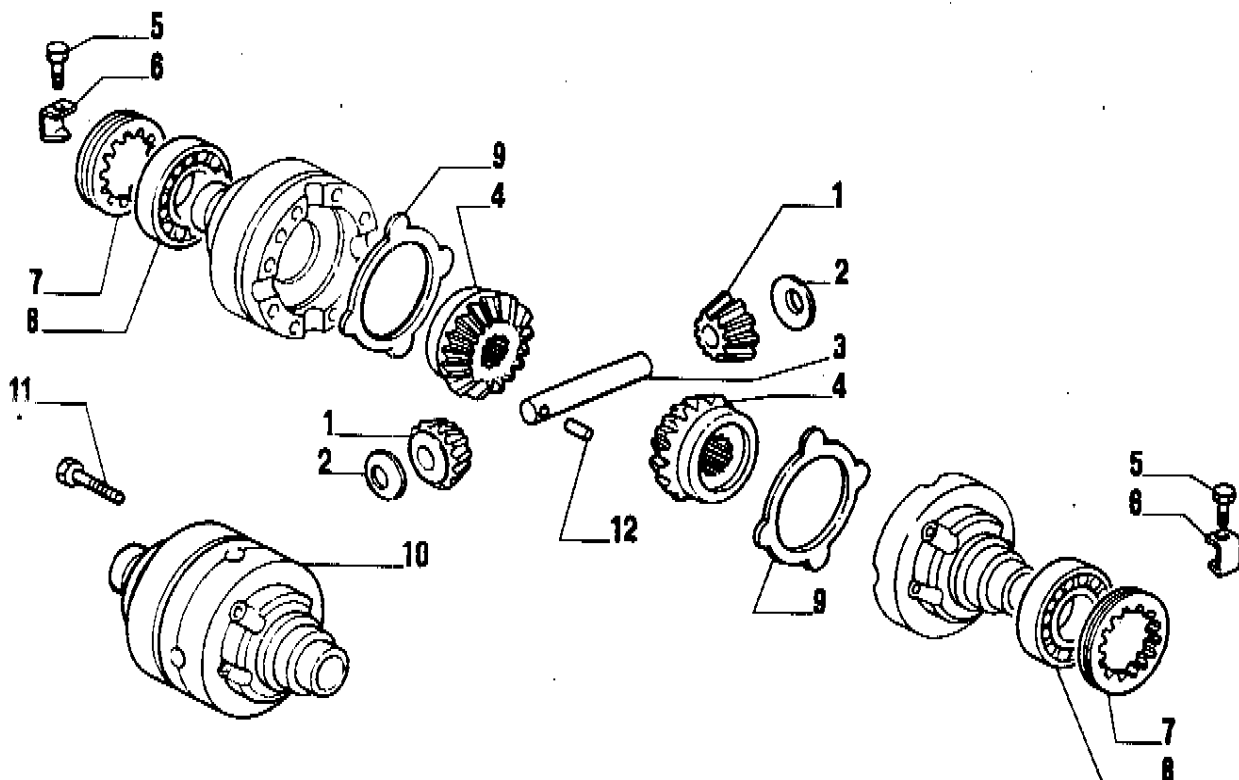
1	132688	1	Swivel housing RH				
2	132672	4	Bush				
3	101036	1	Shim 1mm				
4	117357	4	Bolt M14x60				
5	132099	1	Bush				
6	022433	2	Nut M16x1,5 B (Self-lock) UNI 5931				
7	088759	1	Ball joint (L.H.Thread)				
8	124924	1	Tie rod assy				
9	120818	1	Tie Rod				
10	021199	2	Bolt 8.8 M16x1,5x65 UNI 5738				
11	114840	2	Clamp				
12	022440	2	Nut R80 M16x1,5 A (Self locking)				
13	067031	1	Ball joint (R.H.Thread)				
14	126922	12	Bolt 10.9 M14x2x35 (Self lock)				
15	130466	2	King pin				
16	119945	1	Swivel housing L.H.				
17	109972	2	Bush				
18	116722	2	Oil seal 35x52x16				
19	130465	2	King pin				

**26.18-LP CARRARO AXLES Ref. 134213-1343247****Bevel gear / Pinion set****3.1****MOD. N. 5504-5864**

Pos.	Ref.	Q.ty	Description	Pos.	Ref.	Q.ty	Description
1	065598	1 *	Bevel gear/Pinion set Z=15/32				
1	065492	1 **	Bevel gear Pinion set Z=16/31				
2	132265	-	Shim 2,5mm				
2	132266	-	Shim 2,6mm				
2	132267	-	Shim 2,7mm				
2	132268	-	Shim 2,8mm				
2	132269	-	Shim 2,9mm				
2	132270	-	Shim 3,0mm				
2	132271	-	Shim 3,1mm				
2	132272	-	Shim 3,2mm				
2	132273	-	Shim 3,3mm				
2	132274	-	Shim 3,4mm				
3	027350	2	Bearing				
4	125829	2	Collapsible spacer				
5	125806	1	Spacer				
6	115054	1	Ring nut M40x1,5				
7	113717	1	Lockwasher				
8	021105	2	Bolt M10x60				
9	117362	1	Flange				
10	022411	2	Nut M10x1,25 (Self locking)				
11	020746	6	Bolt M6x16				
12	116370	1	Cover				
13	116722	1	Oil seal 35x52x16				

\* = Only for axle ref. 134213

\*\* = Only for axle ref. 134324

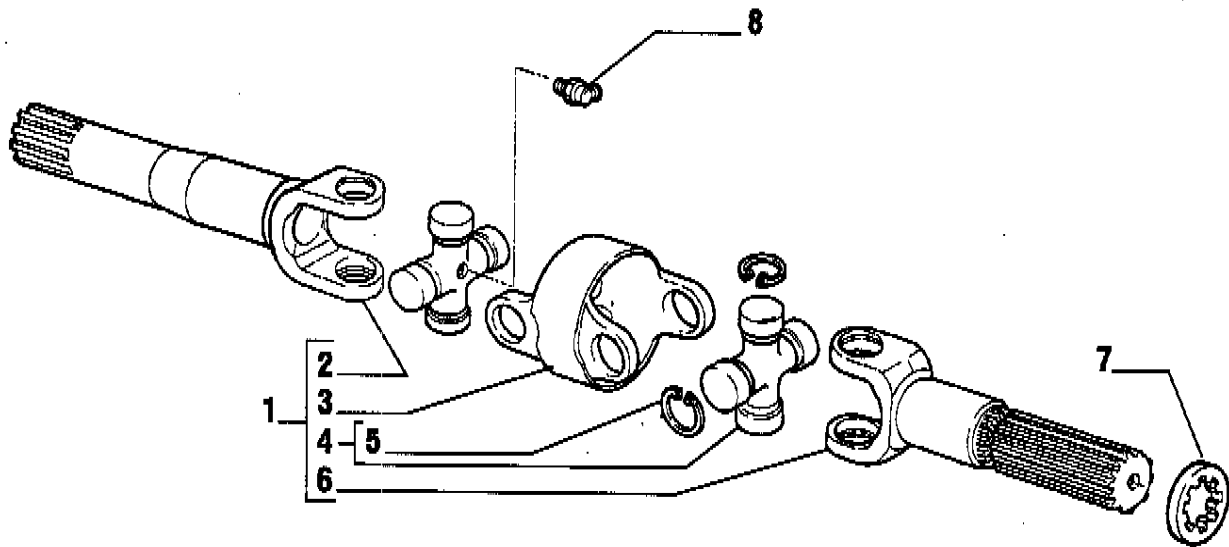
**26.18 LP CARRARO AXLES Ref. 134213 - 134324****Differential****4.0**

Pos.	Ref.	Q.ty	Description	Pos.	Ref.	Q.ty	Description
1	120786	2	Gear				
2	115730	2	Thrust washer				
3	115731	1	Shaft				
4	120787	2	Planetary gear				
5	128440	2	Screw M6x10 (Self locking)				
6	107778	2	Locking plate				
7	107400	2	Ring nut				
8	027309	2	Bearing 30210				
9	120361	2	Thrust washer				
10	127711	1	Differential housing				
11	125552	12	Bolt 12.9 M10x1,5x75 (Self-locking)				
12	116451	1	Pin D.7x40 UNI 1707				

**26.18 LP CARRARO AXLES Ref. 134213 - 134324**

Drive shafts

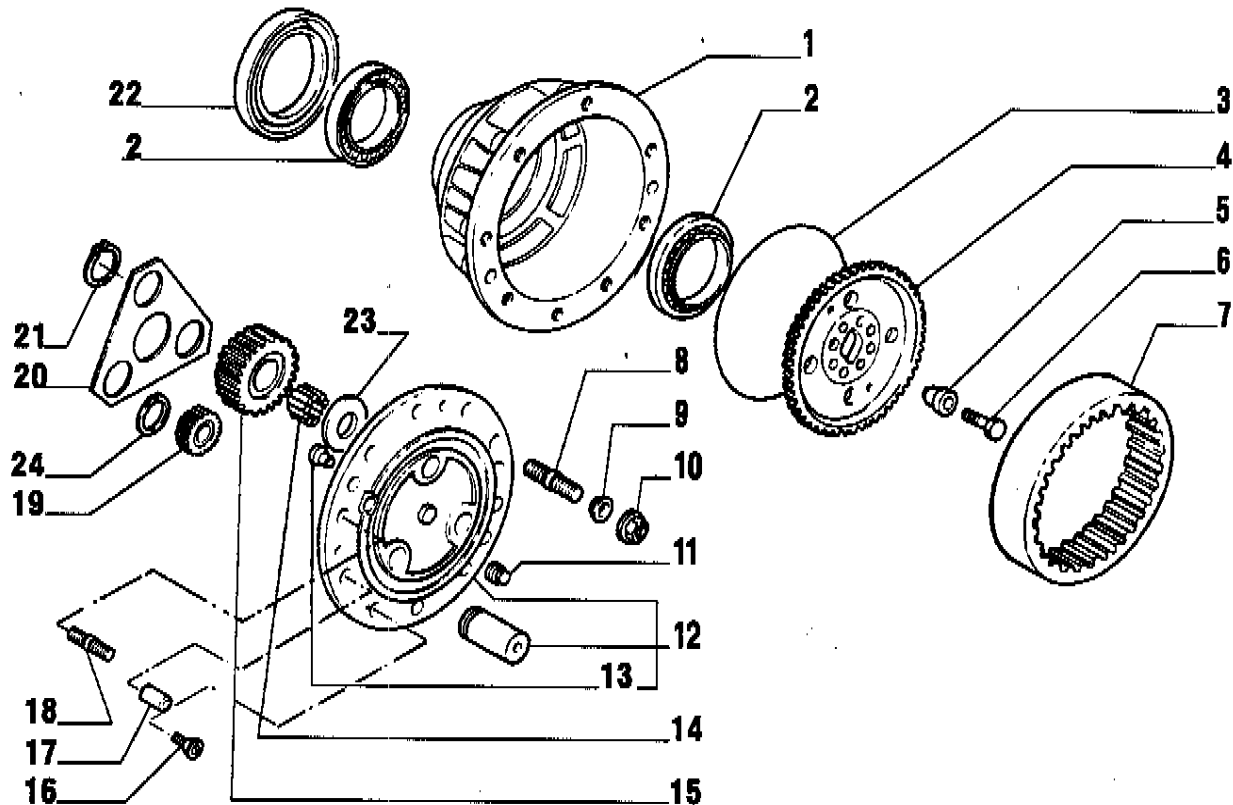
5.0



Pos.	Ref.	Q.ty	Description	Pos.	Ref.	Q.ty	Description
1	125933	1	Drive shaft,short				
1	125934	1	Drive shaft,long				
2	040881	1	Half shaft (Diff. side) for ref.125934				
2	040884	1	Half shaft (Diff. side) for ref.125933				
3	040824	2	Central body				
4	040823	4	Spider				
5	040822	16	Snap ring				
6	040821	2	Half shaft (Wheel Side)				
7	127592	2	Spacer				

**26.18 LP CARRARO AXLES Ref. 134213 - 134324****Wheel hub and epyclic reduction gears**

6.0



Pos.	Ref.	Q.ty	Description	Pos.	Ref.	Q.ty	Description
1	118376	2	Wheel hub				
2	118370	2	Bearing 37431A/37625				
3	125555	2	Lockring				
4	125550	2	Wheel carrier				
5	125189	2	Centering bush D.24				
5	125190	6	Centering bush D.20				
6	119906	8	Screw 10.9 M14x1,5x65 (Self lock.)				
7	125548	2	Crown gear				
8	106199	12	Stud				
9	119505	16	Washer C18,5 DIN 74361/2B				
10	115812	16	Nut DIN 74361/2B				
11	092270	2	Oil plug M22x1,5				
12	065417	6	Planetary carrier assy				
13	115682	2	Thrust pin				
14	028284	18	Needle bearing (by tens)				
15	115644	6	Planetary gear				
16	020510	4	Screw 10.9 M12x30 UNI 5933				
17	115640	4	Pin D18x36				
18	120853	4	Stud with collar				
19	115643	2	Sun gear				
20	116458	2	Thrust washer				
21	024789	6	Snap ring D.34 DIN 471				
22	047705	2	Cassette seal				
23	115634	6	Thrust washer				
24	024784	2	Snap ring D.29 - DIN 471				