

JUNE '97

26.25M + TB172 CARRARO AXLE REF. 134553 - 139171
For "WORDSWORTH"
Spare Parts List

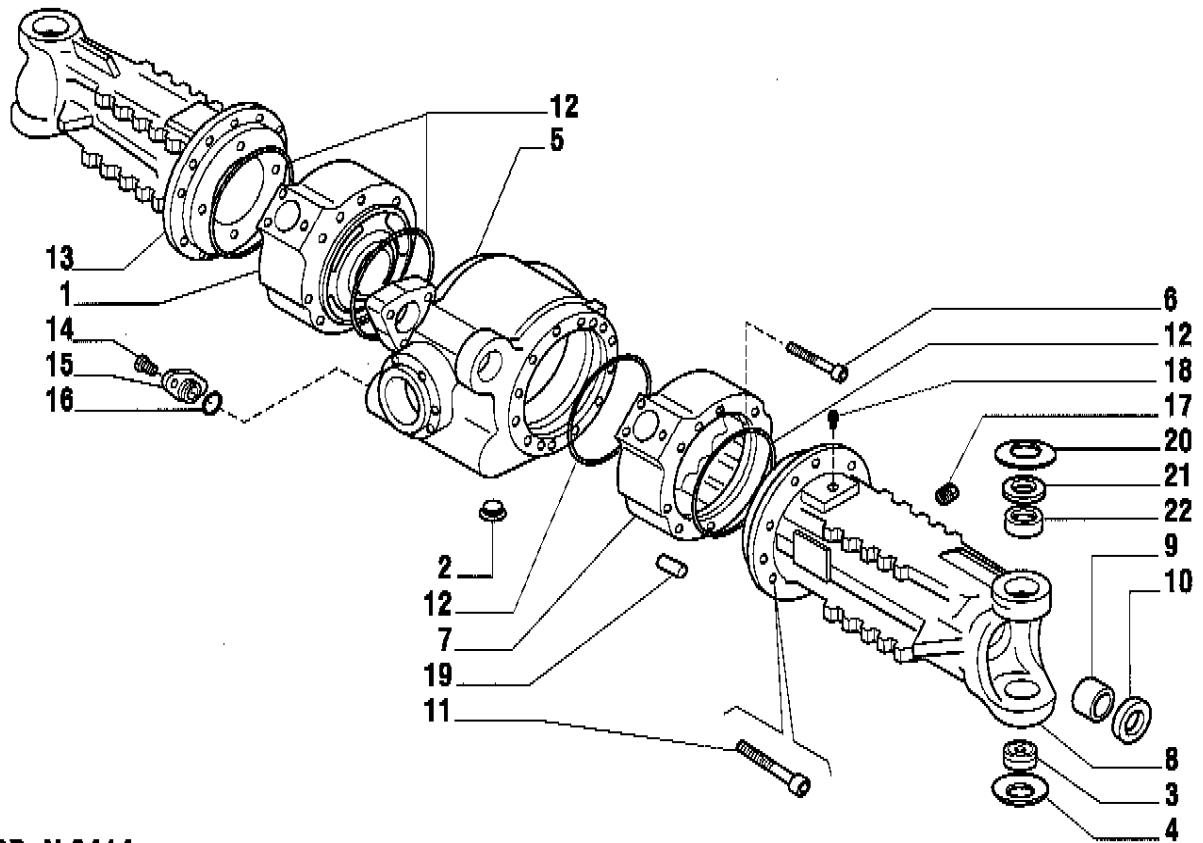
26.25M + TB172 CARRARO AXLE REF. 134553 - 139171

For "WORDSWORTH"

SPARE PARTS LIST

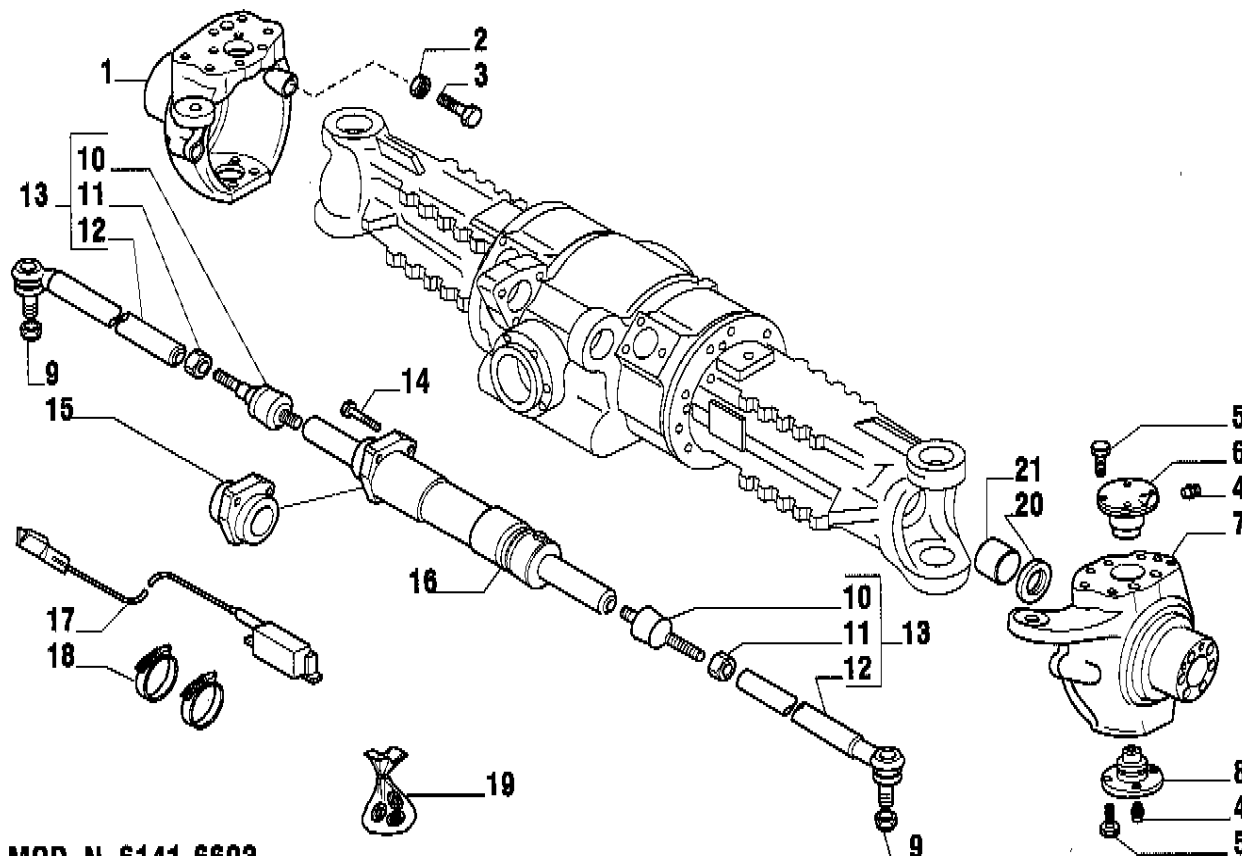
INDEX OF PAGES

- 1.1 Axle Housing
- 2.1 Swivel housing and steering cylinder
- 3.0 Bevel gear/ pinion set
- 4.0 Differential
- 5.0 Drive shaft
- 6.1 Brakes
- 7.1 Housing
- 8.0 Upper and lower shaft
- 9.1 Wheel hubs and epicyclic reduction gears



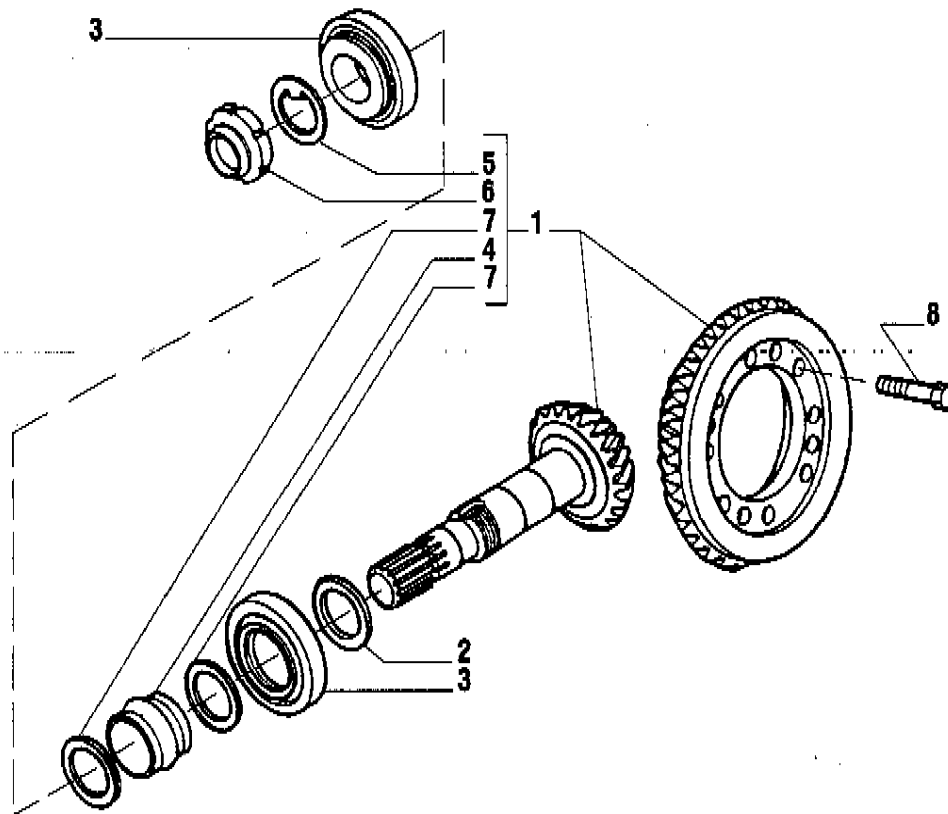
MOD. N 6414

Pos.	Ref.	Q.ty	Description	Pos.	Ref.	Q.ty	Description
1	131756	1	Support L.H.				
2	125280	1	Drain plug M30x2				
3	027693	2	Spherical bearing				
4	128631	2	Belleville washer				
5	131754	1	Axle housing				
6	021334	4	Bolt M12x110				
7	131755	1	Support R.H.				
8	134736	1	Beam trumpet R.H.				
9	118547	2	Bush				
10	118723	2	Oil seal				
11	021384	24	Bolt M16x2x150				
12	028562	4	O.ring				
13	134737	1	Beam trumpet L.H.				
14	020781	2	Bolt M8x25				
15	130033	1	Cover				
16	028557	1	O.ring				
17	092270	1	Oil plug M22x1.5				
18	137474	1	Breather M10x1				
19	072259	2	Pin D10x25				
20	128632	2	Belleville washer				
21	131276	2	Spacer washer				
22	123660	2	Bush				

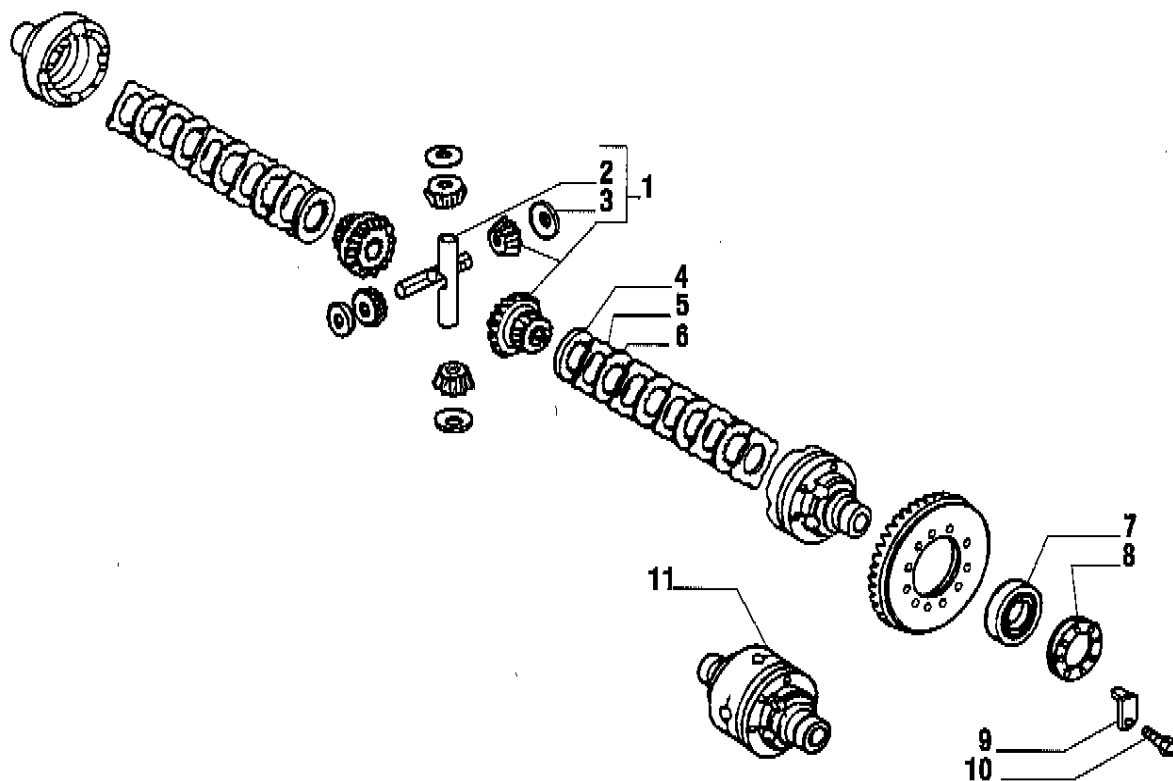


MOD. N. 6141-6693

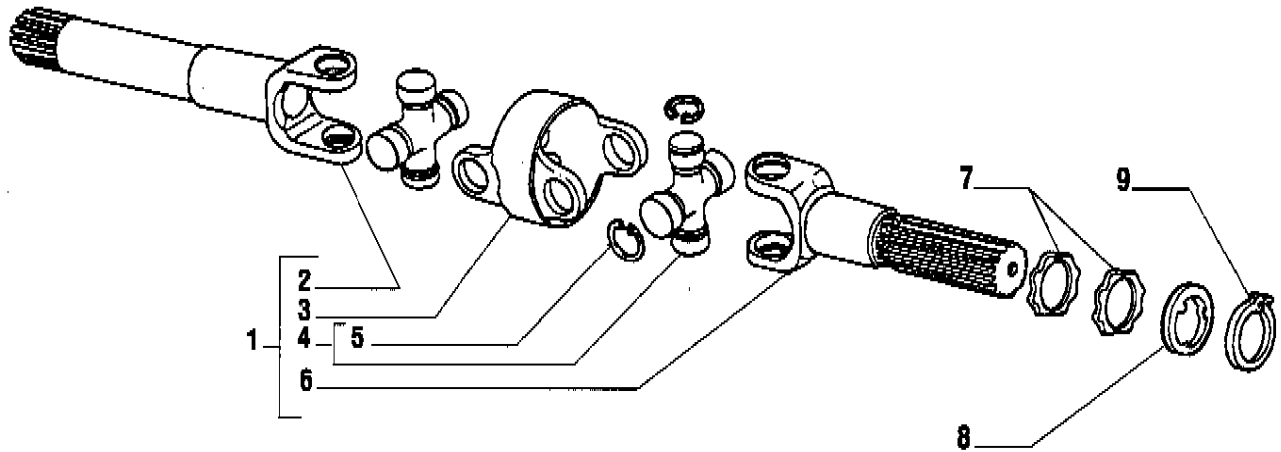
Pos.	Ref.	Q.ty	Description	Pos.	Ref.	Q.ty	Description
1	138923	1	Swivel housing L.H.				
2	022131	4	Nut M14				
3	123206	4	Bolt M14x95				
4	024210	4	Greaser nipple M6x1				
5	128923	16	Bolt M16x2 (Self lock.)				
6	130631	2	King pin				
7	138922	2	Swivel housing R.H.				
8	130632	2	King pin				
9	022431	2	Nut M20x1.5 (Self lock.)				
10	049013	2	Ball joint				
11	070787	2	Nut M24x1.5				
12	049029	2	Steering arm				
13	135578	2	Steering arm assy				
14	128534	3	Bolt M12x45				
15	049138	1	Cylinder head				
16	137177	1	Steering cylinder				
17	137179	1	Sensor				
18	028352	2	Clamp				
19	049226	1	Oil seal kit				
20	125235	2	Oil seal				
21	125161	2	Bush				



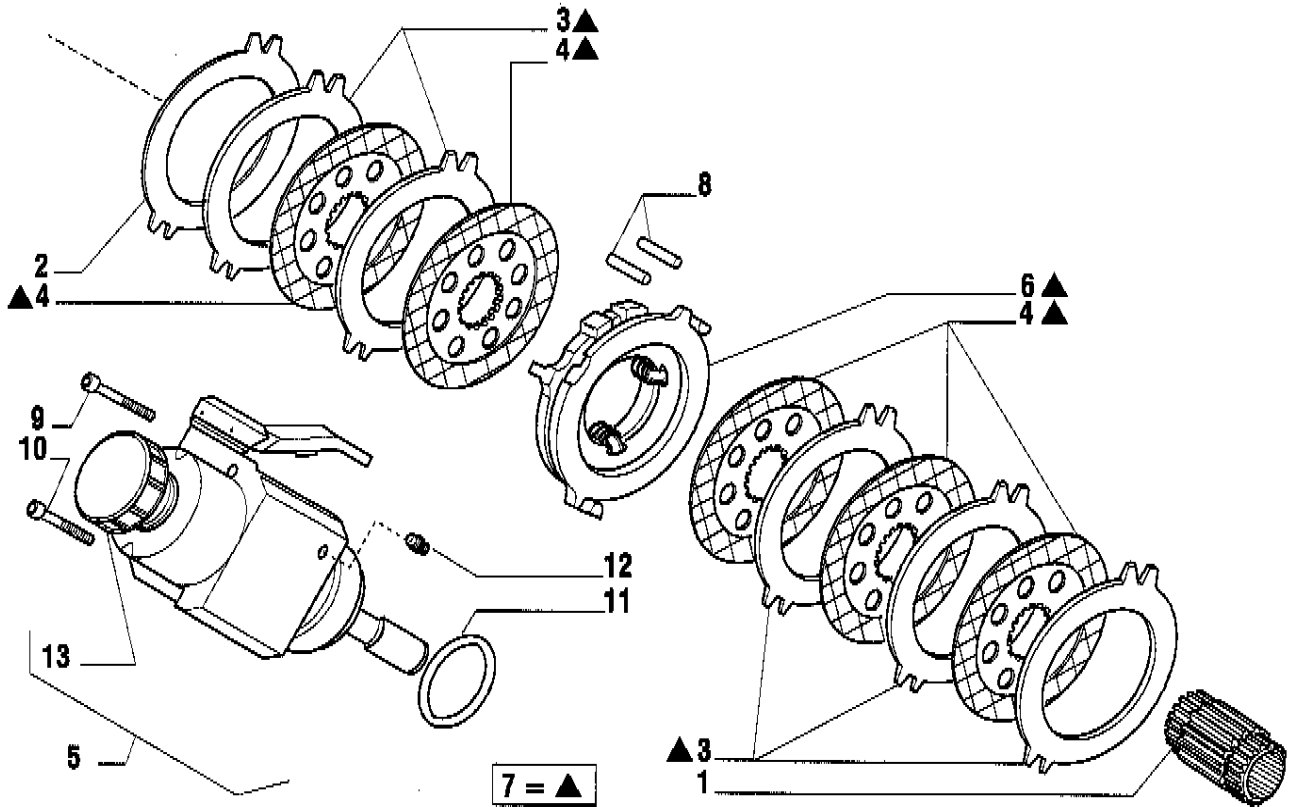
Pos.	Ref.	Q.	Description	Pos.	Ref.	Q.	Description
1	066256	1	Bevel gear/pinion set Z=18/32				
2	132265	-	Shim 2,50mm				
2	132266	-	Shim 2,60mm				
2	132267	-	Shim 2,70mm				
2	132268	-	Shim 2,80mm				
2	132269	-	Shim 2,90mm				
2	132270	-	Shim 3,00mm				
2	132271	-	Shim 3,10mm				
2	132272	-	Shim 3,20mm				
2	132273	-	Shim 3,30mm				
2	132274	-	Shim 3,40mm				
3	027350	2	Bearing 31309				
4	126806	1	Collapsible spacer				
5	113717	1	Lockwasher				
6	115054	1	Ring nut				
7	126829	2	Washer				
8	121557	12	Bolt				



Pos.	Ref.	Q.	Description	Pos.	Ref.	Q.	Description
1	066185	1	Differential kit				
2	116369	2	Shaft				
3	115730	4	Thrust washer				
4	110642	2	Plate				
5	110643	10	Drive plate				
6	110644	8	Plate				
7	027309	2	Bearing 30210				
8	107400	2	Ring nut				
9	129118	2	Locking plate				
10	128440	2	Bolt 10.9 M6x10 (Self locking)				
11	131091	1	Differential housing				



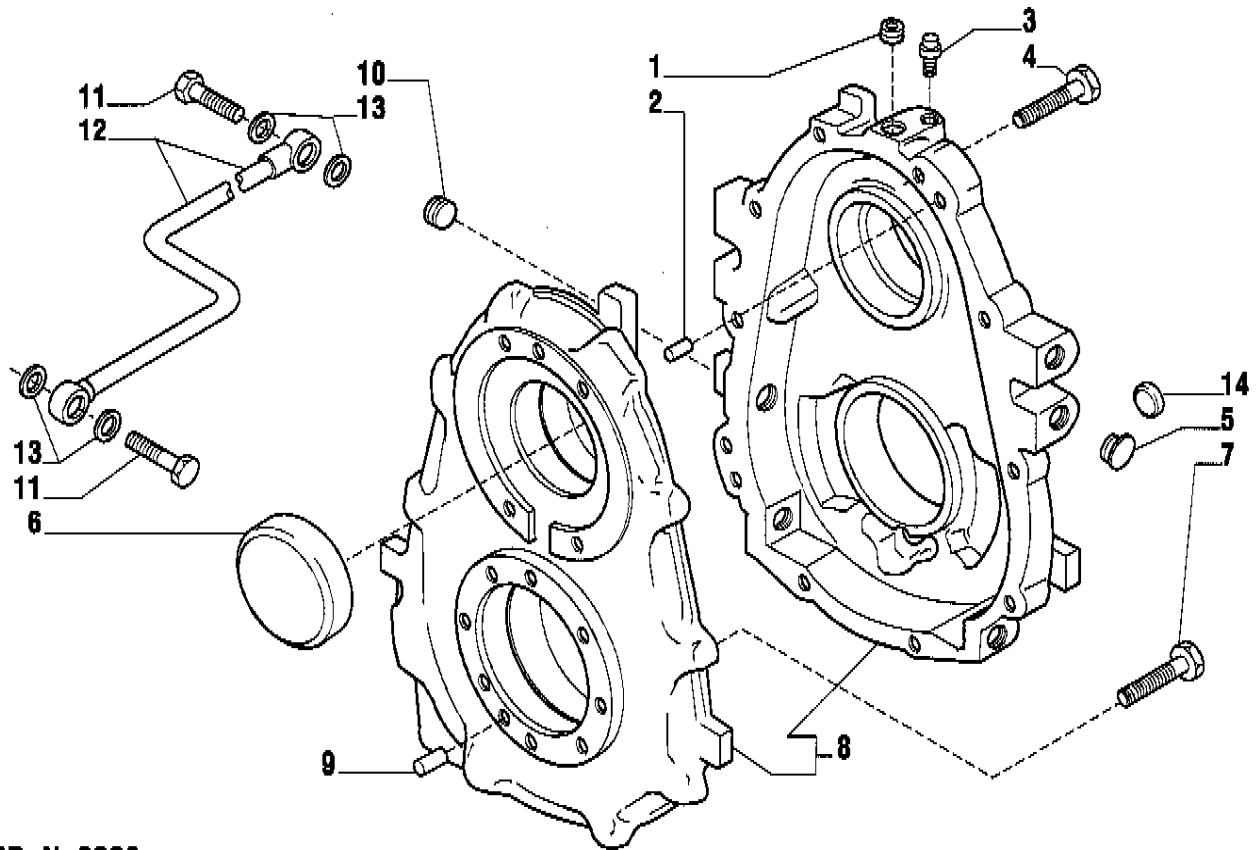
Pos.	Ref.	Q.	Description	Pos.	Ref.	Q.	Description
1	134734	2	Drive shaft B310 50°				
2	046283	1	Half shaft Differential side				
3	040826	1	Central body				
4	046252	2	Spider				
5	040822	8	Snap ring				
6	046282	1	Half shaft Wheel side				
7	132778	4	Ring				
8	132780	2	Ring				
9	024800	2	Snap ring 2D 45 DIN 471				



MOD. N. 5680

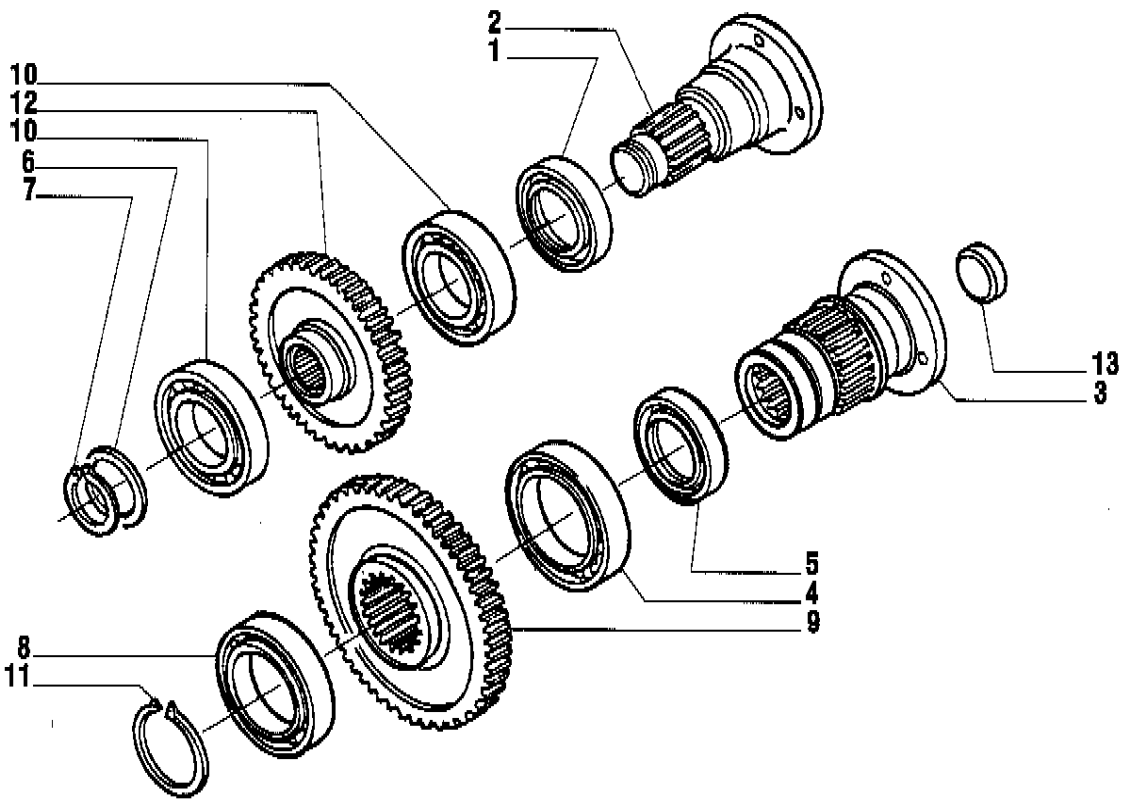
Pos.	Ref.	Q.	Description	Pos.	Ref.	Q.	Description
------	------	----	-------------	------	------	----	-------------

1	133476	2	Wheel carrier
2	133433	1	Shim 1,5mm
2	133434	1	Shim 1mm
3	130403	10	Reaction plate
4	130402	10	Brake disc
5	135773	1	Brake drive L.H.
5	135774	1	Brake drive R.H.
6	130401	2	Brake body
7	135741	2	Brakes set
8	129037	8	Shaft
9	021436	2	Bolt M10x120
10	021417	4	Bolt M10x80
11	040627	2	O.ring
12	040626	2	Bleading screw
13	040628	2	Cover

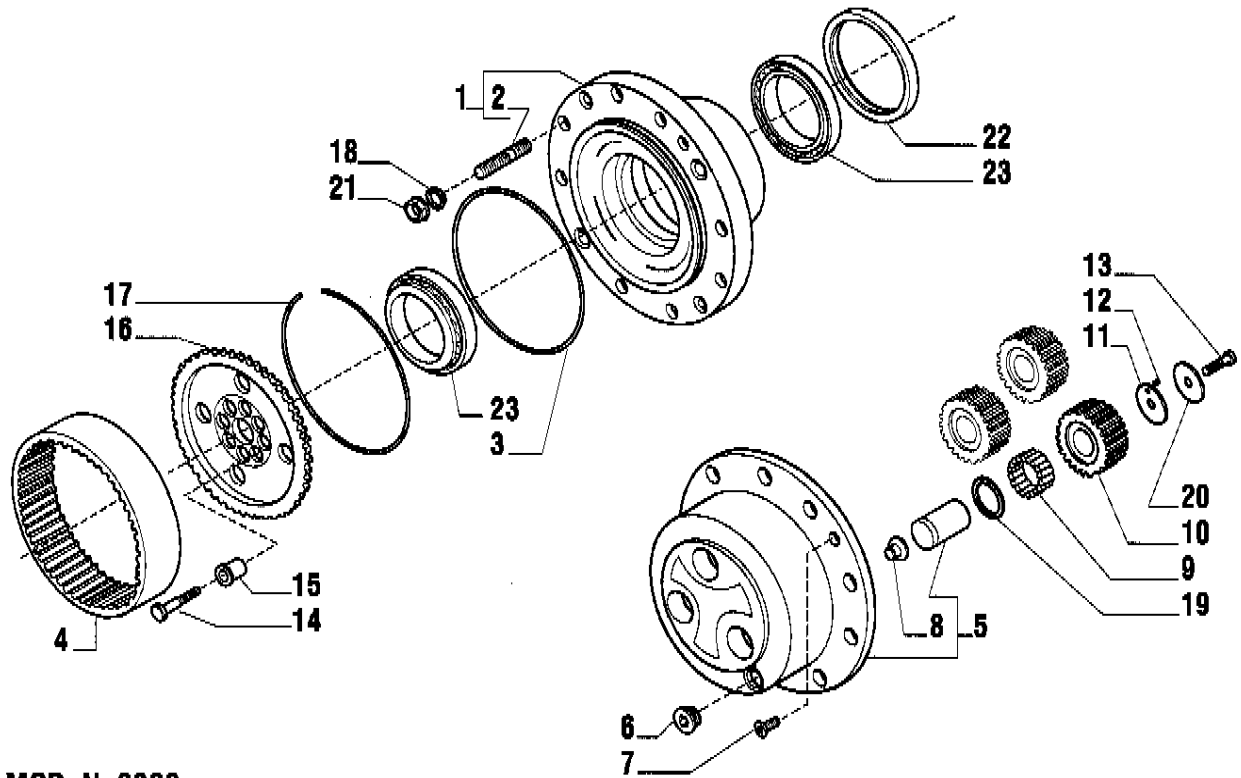


MOD. N. 6308

Pos.	Ref.	Q.ty	Description	Pos.	Ref.	Q.ty	Description
1	021567	1	Plug M16x1.5				
2	072269	2	Pin D10x25				
3	137474	1	Breather M10x1				
4	020864	10	Bolt M10x55				
5	030755	4	Plug D.14.5				
6	109747	1	Plug				
7	021097	8	Bolt M12x55				
8	131679	1	Housing PDM				
9	121710	1	Pin D12x25				
10	128050	2	Plug M24x1,5				
11	128785	2	Bolt M24x1,5				
12	134134	1	Pipe				
13	023271	4	Washer 24x30x1,5				
14	116949	1	Plug				

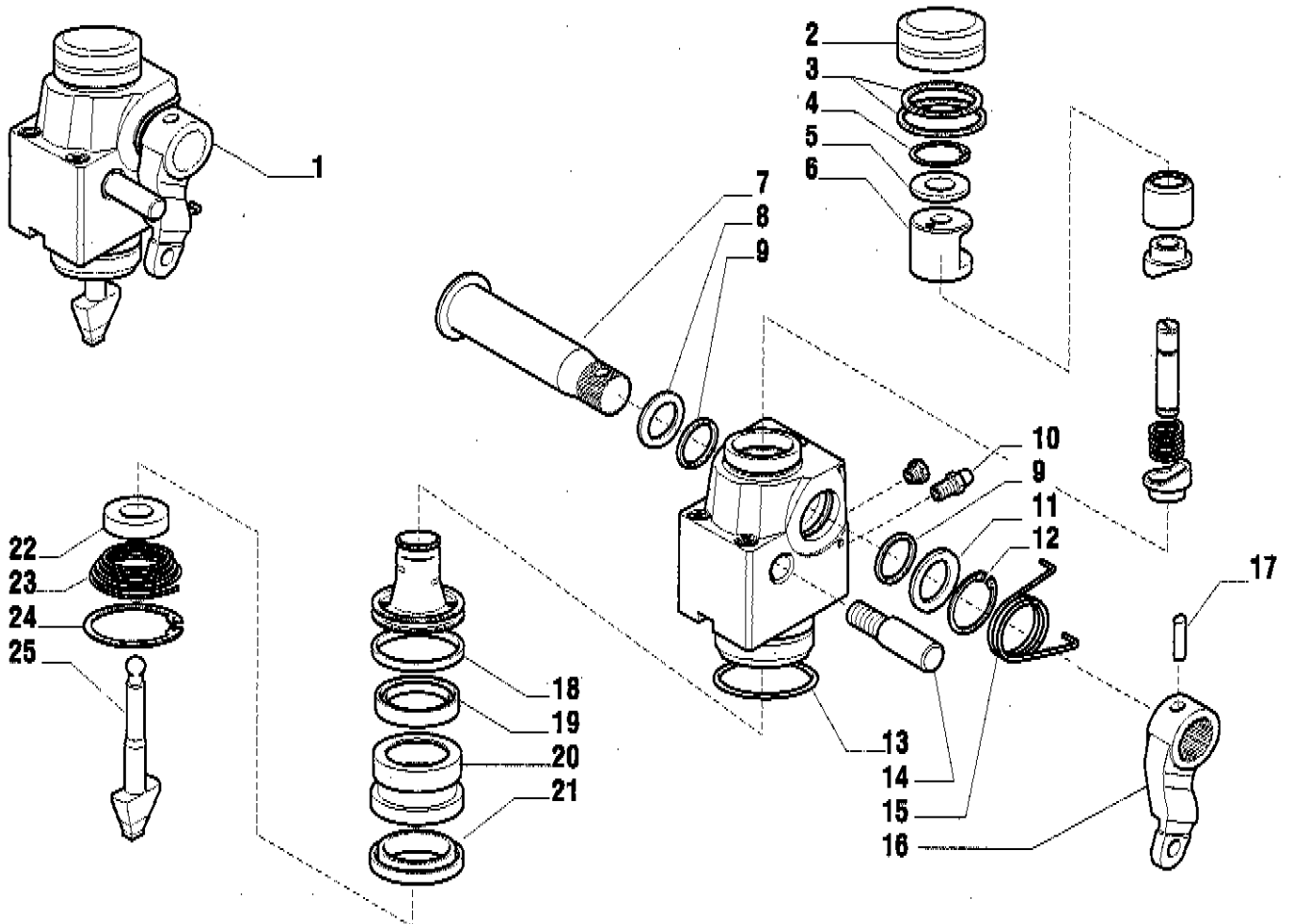


Pos.	Ref.	Q.	Description	Pos.	Ref.	Q.	Description
1	118899	1	Oil seal 82x58x15				
2	131759	1	Upper shaft				
3	131757	1	Lower shaft				
4	025743	1	Bearing 6014				
5	025296	1	Sealing ring				
6	123402	2	Washer				
7	024790	2	Snap ring				
8	025742	1	Bearing 8013				
9	129405	1	Gear Z=46				
10	025741	2	Bearing 6012				
11	024816	1	Snap ring D.65				
12	129404	1	Gear Z=39				
13	130667	1	Plug				



MOD. N. 6693

Pos.	Ref.	Q.ty	Description	Pos.	Ref.	Q.ty	Description
1	086261	2	Wheel hub assy				
2	119907	20	Stud				
3	028579	2	O.ring				
4	125186	2	Crown gear				
5	066053	2	Planetary carrier assy				
6	125280	2	Oil plug M30x2				
7	020490	4	Bolt M8x20				
8	115682	2	Thrust pin				
9	028297	16.8	Needle bearing (by tens)				
10	128714	6	Planetary gear Z=31				
11	125134	6	Thrust washer 60x11x3				
12	134350	6	Pin				
13	125229	6	Bolt M10x50				
14	119906	16	Screw M14x65				
15	125190	16	Centering bush D.20				
16	138683	2	Wheel carrier				
17	125233	2	Lockring				
18	119504	20	Washer				
19	128731	6	Thrust washer 60x 40x1.5				
20	132319	6	Thrust washer 60x11x3				
21	119503	20	Nut M22x1.5				
22	047705	2	Cassette seal				
23	118370	4	Bearing				



Pos.	Ref.	Q.ty	Descrizione	Description	KIT	From S/N	To S/N	Note
1	138798		Comando freno DX	Brake control RH				
1	138797	1	Comando freno SX	Brake control LH				
2	040031	1	Coperchio filettato	Cover				
3	040830	2	Anello OR	O ring				
4	040033	1	Anello seeger	Snap ring				
5	040018	1	Rondella	Washer				
6	040024	1	Pistone guida	Piston				
7	040021	1	Perno	Pin				
8	040022	1	Rondella	Washer				
9	040025	2	Anello Quadring	Quadring				
10	040826	1	Vite di spurgo	Breather				
11	040023	1	Rondella	Washer				
12	040030	1	Anello seeger	Snap ring				
13	040827	1	Anello OR	O ring				
14	040028	1	Perno filettato	Pin				
15	040028	1	Molla	Spring				for ref. 138797
15	040034	1	Molla	Spring				for ref. 138798
16	040025	1	Leva	Lever				
17	040027	1	Spina	Pin				
18	040015	1	Anello guida	Ring				
19	040014	1	Guarnizione	Gasket				
20	040012	1	Pistone	Piston				
21	040013	1	Guarnizione	Gasket				
22	040019	1	Anello a sez. rett.	Ring (rect. Sect.)				
23	040016	1	Molla a pressione	Spring				
24	040017	1	Anello seeger	Snap ring				
25	040020	1	Cuneo di comando	Lever				