



# **CARRARO**

**Catalogo Parti Di Ricambio**

**Spare Parts List**

**Catalogue Pieces De Rechange**

**Ersatzteilkatalog**

**ASSALE 20.19**

**AXLE 20.19**

**ESSIEU 20.19**

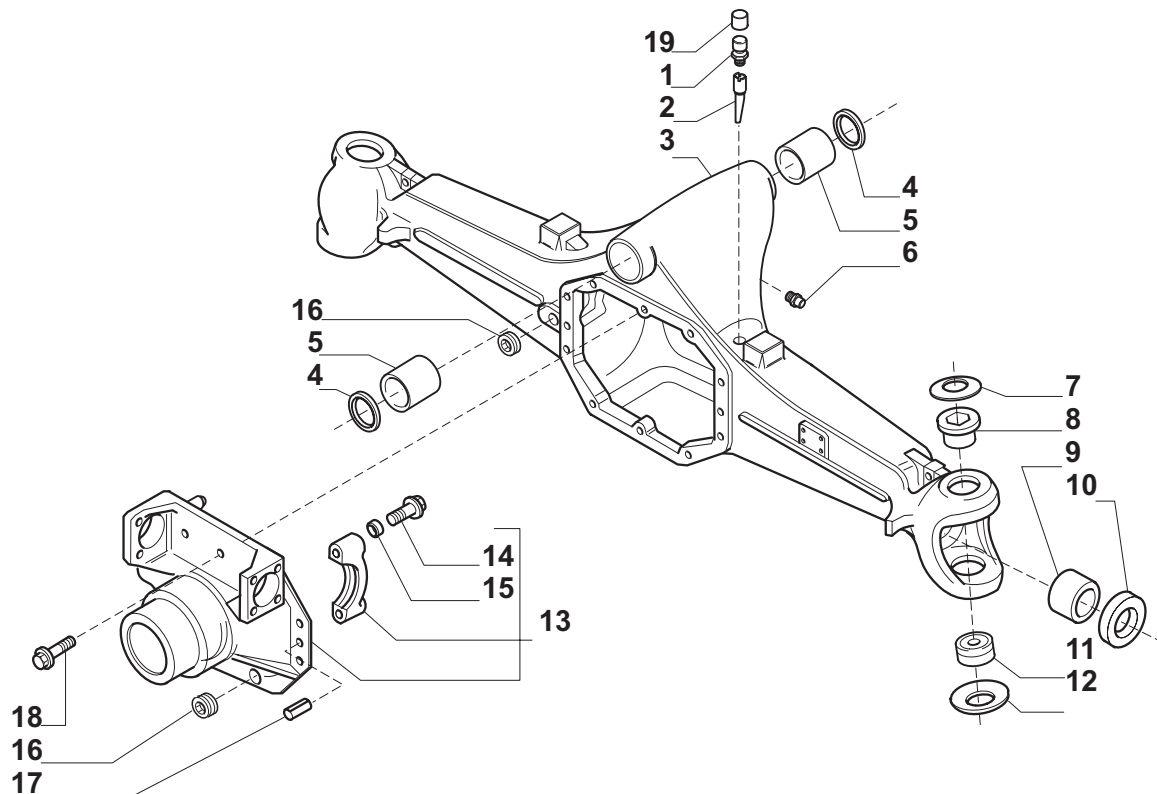
**ACHSE 20.19**

**REF. 134852-134853**

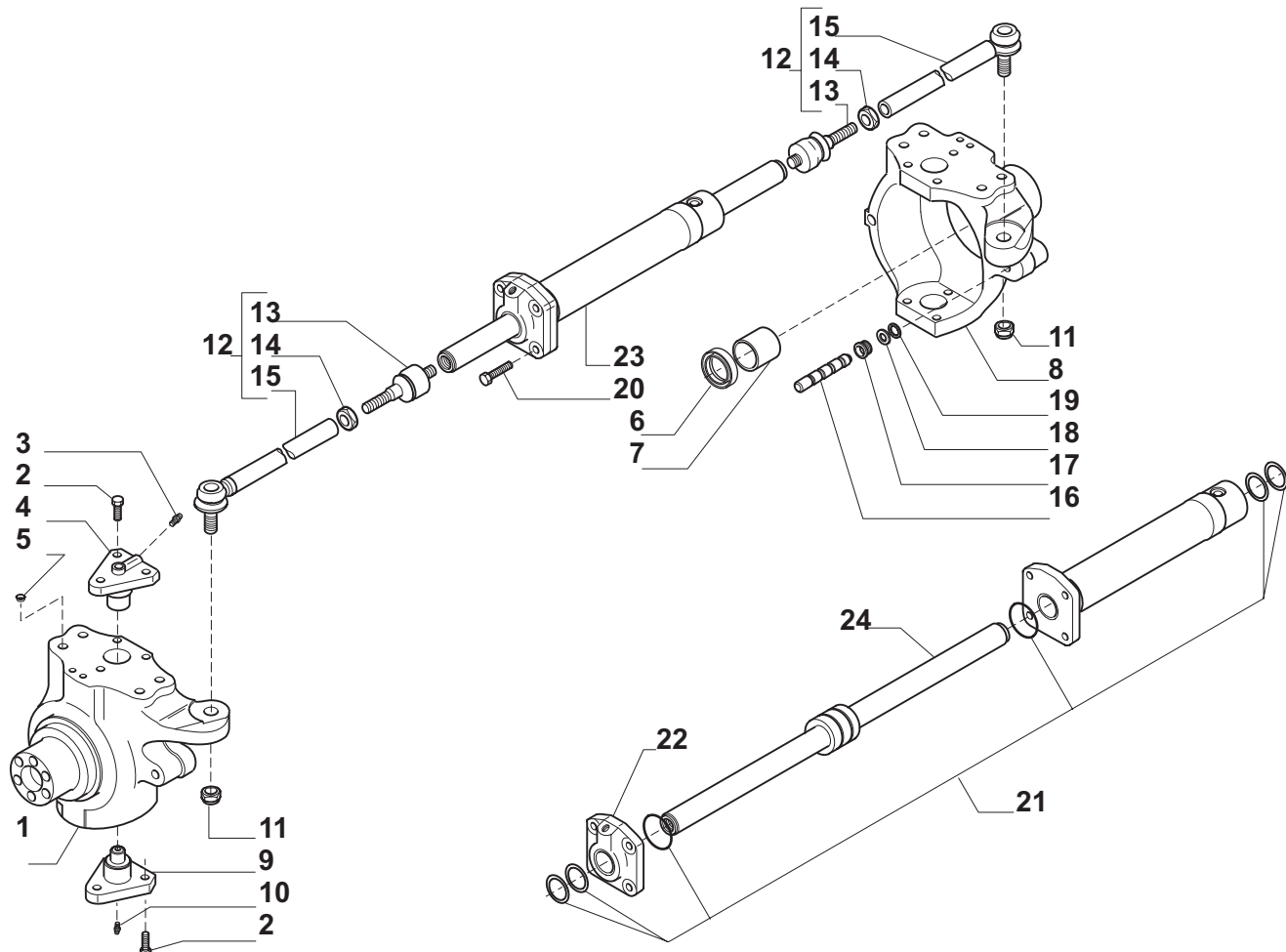
**INDICE  
INDEX  
INDEX  
INDEX**

|              |  |
|--------------|--|
| <b>1.0.0</b> | Corpo assale<br>Axle housing<br>Corps de essieu<br>Zentralgehäuse  |
| <b>2.0.0</b> | Calotte e cilindro di sterzo<br>Swivel housing and steering cylinder<br>Calottes et vérin de direction<br>Achszapfen und Lenkzylinder                          |
| <b>3.0.1</b> | Coppia conica<br>Bevel gear/pinion set<br>Couple conique<br>Kegelradgetriebe   |
| <b>4.0.0</b> | Differenziale (per 134852)<br>Differential (for 134852)<br>Differential (pour 134852)<br>Differential (für 134852)   |
| <b>5.0.0</b> | Differenziale (per 134853)<br>Differential (for 134853)<br>Differential (pour 134853)<br>Differential (für 134853)   |
| <b>6.0.1</b> | Differenziale (per 134853)<br>Differential (for 134853)<br>Differential (pour 134853)<br>Differential (für 134853)   |
| <b>7.0.0</b> | Mozzo ruota e riduzione epicicloidale<br>Wheel hub and epicycloidal reduction gears<br>Moyeu de roue et réduction épicycloidal<br>Radnabe und Planetengetriebe |
|              | Sommario kit<br>Kit summary<br>Sommaire kit<br>Ersatzteil-Sets   |

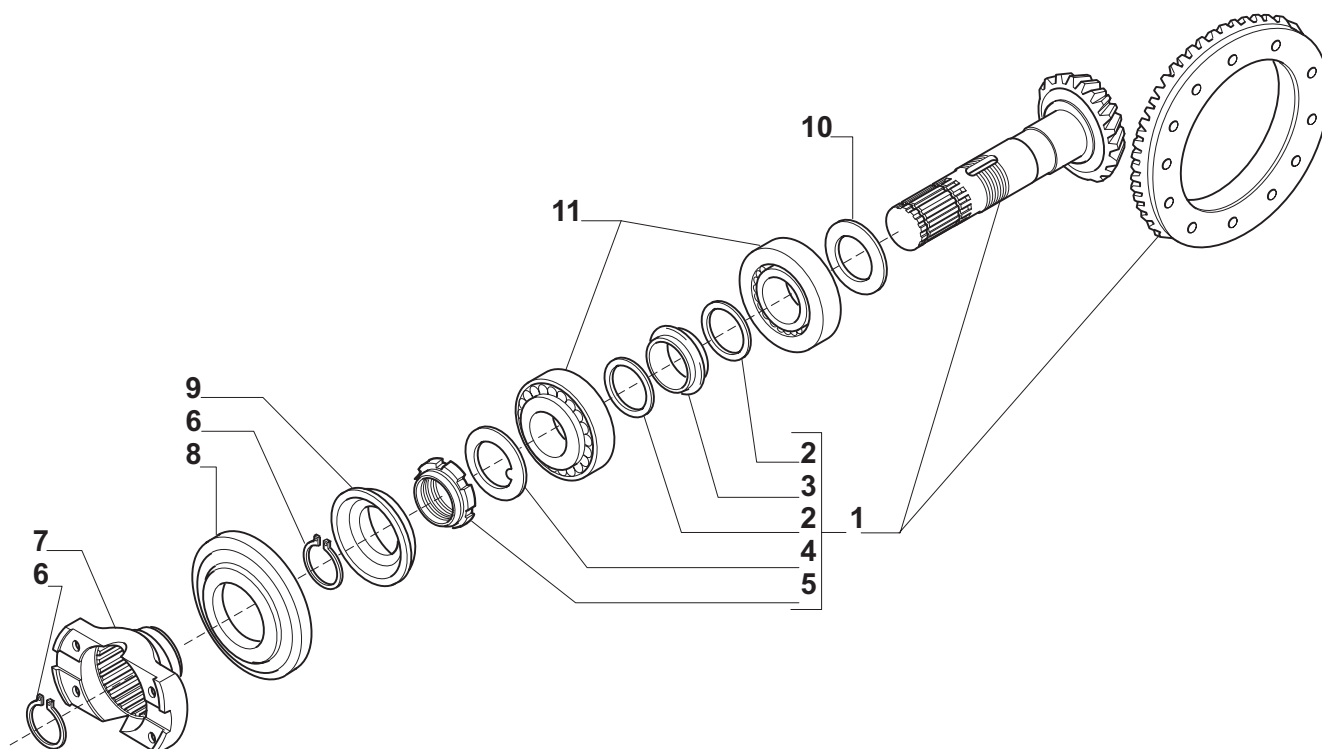
**Il presente catalogo è valido a partire dal N° di matricola 101.  
This catalogue is valid from serial number 101.  
Ce catalogue est valable à commencer du numéro 101.  
Der vorliegende katalog ist gültig ab Serienmr. 101.**



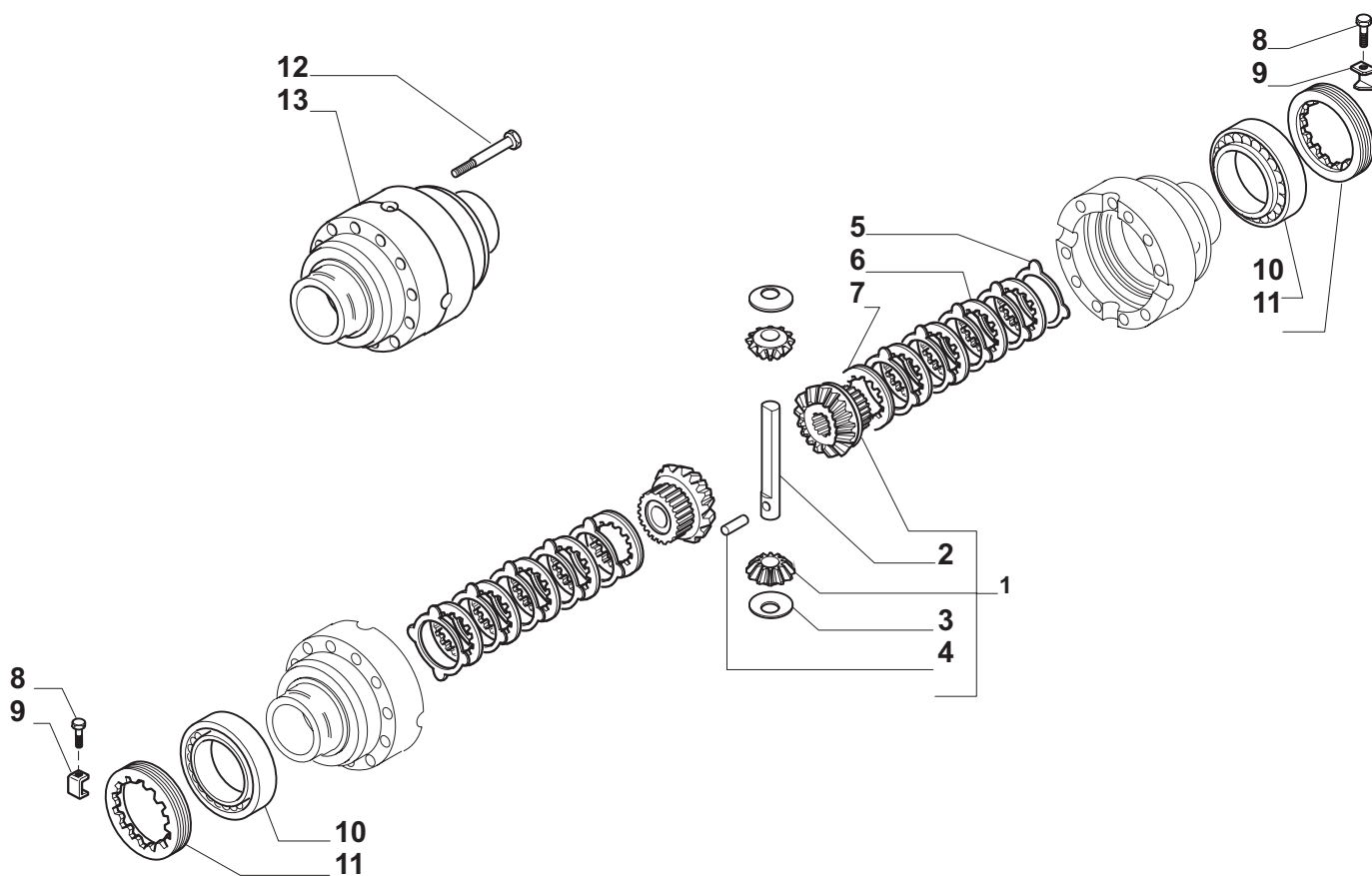
| Pos. | Ref.   | Q.ty | Descrizione            | Description          | Kit | From S/N | To S/N | Note |
|------|--------|------|------------------------|----------------------|-----|----------|--------|------|
| 1    | 104988 | 1    | Sfiato M10x1           | Breather M10x1       |     |          |        |      |
| 2    | 127243 | 1    | Supporto sfiato        | Breather support     |     |          |        |      |
| 3    | 132728 | 1    | Trave                  | Axle housing         |     |          |        |      |
| 4    | 120717 | 2    | Anello di tenuta       | Seal ring            |     |          |        |      |
| 5    | 126610 | 2    | Boccola                | Bush                 |     |          |        |      |
| 6    | 024210 | 1    | Ingrassatore M6x1      | Greaser nipple M6x1  |     |          |        |      |
| 7    | 128633 | 2    | Molla tazza            | Belleville washer    |     |          |        |      |
| 8    | 133148 | 2    | Boccola                | Bush                 |     |          |        |      |
| 9    | 116962 | 2    | Bronzina               | Bush                 |     |          |        |      |
| 10   | 135818 | 2    | Anello di tenuta       | Oil seal             |     |          |        |      |
| 11   | 123726 | 2    | Rotula sferica         | Spherical bearing    |     |          |        |      |
| 12   | 128630 | 2    | Molla tazza            | Belleville washer    |     |          |        |      |
| 13   | 133633 | 1    | Supporto differenziale | Differential support |     |          |        |      |
| 14   | 126022 | 4    | Vite M14x2x75          | Bolt M14x2x75        |     |          |        |      |
| 15   | 072235 | 4    | Bussola centraggio     | Centering bush       |     |          |        |      |
| 16   | 128050 | 2    | Tappo olio M.24        | Drain plug M.24      |     |          |        |      |
| 17   | 087660 | 2    | Spina D.15x35          | Pin D.15x35          |     |          |        |      |
| 18   | 125827 | 10   | Vite M12x1.75x33       | Bolt M12x1.75x33     |     |          |        |      |
| 19   | 130532 | 1    | Coperchio sfiato       | Breather cover       |     |          |        |      |



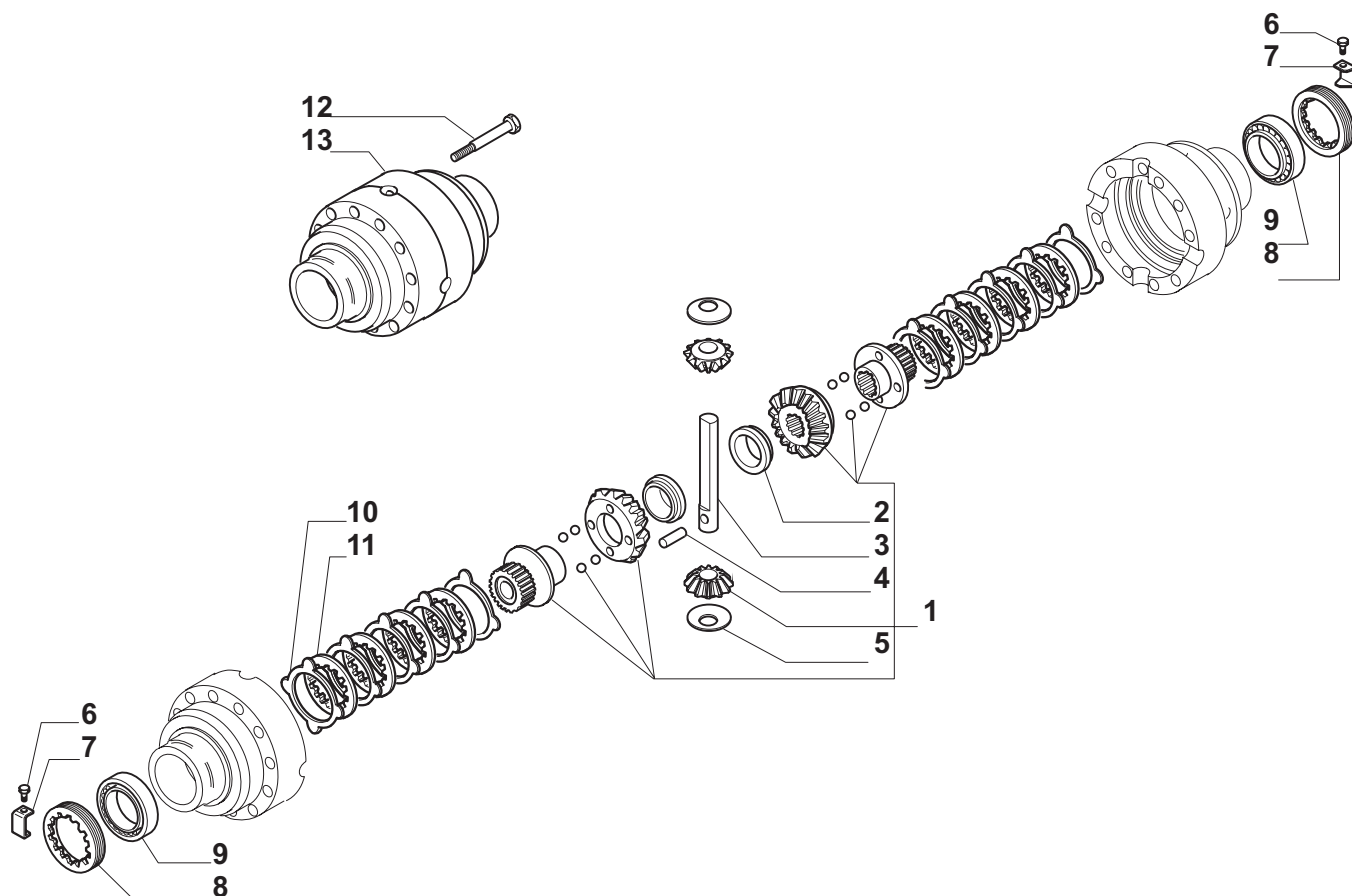
| Pos. | Ref.   | Q.ty | Descrizione               | Description                | Kit | From S/N | To S/N | Note |
|------|--------|------|---------------------------|----------------------------|-----|----------|--------|------|
| 1    | 132729 | 1    | Calotta SX.               | Swivel housing L.H.        |     |          |        |      |
| 2    | 126922 | 12   | Vite M14x2x35 (Atbl.)     | Bolt M14x2x35 (Self lock.) |     |          |        |      |
| 3    | 024210 | 2    | Ingrassatore M6x1         | Greaser nipple M6x1        |     |          |        |      |
| 4    | 133084 | 2    | Perno snodo calotta       | King pin                   |     |          |        |      |
| 5    | 030755 | 8    | Tappo D14.5               | Plug D14.5                 |     |          |        |      |
| 6    | 132741 | 2    | Anello tenuta 48x75x14x17 | Oil seal 48x75x14x17       |     |          |        |      |
| 7    | 125390 | 2    | Bronzina                  | Bush                       |     |          |        |      |
| 8    | 132730 | 1    | Calotta DX                | Swivel housing R.H.        |     |          |        |      |
| 9    | 128881 | 2    | Perno snodo calotta       | King pin                   |     |          |        |      |
| 10   | 024211 | 2    | Ingrassatore M6x1-45°     | Greaser nipple M6x1-45°    |     |          |        |      |
| 11   | 022431 | 2    | Dado M20x1.5 (Atbl.)      | Nut M20x1.5 (Self lock.)   |     |          |        |      |
| 12   | 132751 | 2    | Asta guida                | Steering arm Assy          |     |          |        |      |
| 13   | 350400 | 2    | Snodo sferico             | Ball joint                 |     |          |        |      |
| 14   | 070787 | 2    | Dado M24x1.5              | Nut M24x1.5                |     |          |        |      |
| 15   | 351144 | 2    | Tirante                   | Steering arm               |     |          |        |      |
| 16   | 132783 | 2    | Perno                     | Shaft                      |     |          |        |      |
| 17   | 126532 | 2    | Ghiera M32x2              | Ring nut M32x2             |     |          |        |      |
| 18   | 126534 | 2    | Rondella                  | Washer                     |     |          |        |      |
| 19   | 126533 | -    | Spessore 29x20.5x1        | Shim 29x20.5x1             |     |          |        |      |
| 20   | 128534 | 4    | Vite M12x45 (Atbl.)       | Bolt M12x45 (Self lock.)   |     |          |        |      |
| 21   | 049220 | 1    | Kit guarnizioni           | Oil seal kit               |     |          |        |      |
| 22   | 049221 | 1    | Testata martinetto        | Cylinder head              |     |          |        |      |
| 23   | 132735 | 1    | Martinetto                | Steering cylinder          |     |          |        |      |
| 24   | 049223 | 1    | Stelo                     | Rod                        |     |          |        |      |



| Pos. | Ref.          | Q.ty | Descrizione           | Description           | Kit           | From S/N | To S/N | Note                 |
|------|---------------|------|-----------------------|-----------------------|---------------|----------|--------|----------------------|
| 1    | <b>066314</b> | 1    | Coppia conica Z=10/31 | Bevel gear/Pinion set |               |          |        |                      |
| 2    | <b>125829</b> | 2    | Rondella 50x40.5x2    | Washer 50x40.5x2      | <b>066314</b> |          |        |                      |
| 3    | <b>126806</b> | 1    | Distanziale elastico  | Collapsible spacer    | <b>066314</b> |          |        |                      |
| 4    | <b>113717</b> | 1    | Rondella fermo ghiera | Lockwasher            | <b>066314</b> |          |        |                      |
| 5    | <b>115054</b> | 1    | Ghiera M40x1,5        | Ring nut M40x1,5      | <b>066314</b> |          |        |                      |
| 6    | <b>024789</b> | 2    | Anello seeger D.34    | Snap ring D.34        |               |          |        |                      |
| 7    | <b>134398</b> | 1    | Flangia               | Flange                |               | 101      | 113    | For axle ref. 134852 |
|      |               |      |                       |                       |               | 101      | 124    | For axle ref. 134853 |
| 7    | <b>137653</b> | 1    | Flangia               | Flangia               |               | 114      |        | For axle ref. 134852 |
|      |               |      |                       |                       |               | 125      |        | For axle ref. 134853 |
| 8    | <b>123767</b> | 1    | Coperchio             | Cover                 |               |          |        |                      |
| 9    | <b>134339</b> | 1    | Anello di tenuta      | Oil seal              |               |          |        |                      |
| 10   | <b>132265</b> | -    | Spessore 2.50mm       | Shim 2.50mm           |               |          |        |                      |
| 10   | <b>132266</b> | -    | Spessore 2.60mm       | Shim 2.60mm           |               |          |        |                      |
| 10   | <b>132267</b> | -    | Spessore 2.70mm       | Shim 2.70mm           |               |          |        |                      |
| 10   | <b>132268</b> | -    | Spessore 2.80mm       | Shim 2.80mm           |               |          |        |                      |
| 10   | <b>132269</b> | -    | Spessore 2.90mm       | Shim 2.90mm           |               |          |        |                      |
| 10   | <b>132270</b> | -    | Spessore 3.00mm       | Shim 3.00mm           |               |          |        |                      |
| 10   | <b>132271</b> | -    | Spessore 3.10mm       | Shim 3.10mm           |               |          |        |                      |
| 10   | <b>132272</b> | -    | Spessore 3.20mm       | Shim 3.20mm           |               |          |        |                      |
| 10   | <b>132273</b> | -    | Spessore 3.30mm       | Shim 3.30mm           |               |          |        |                      |
| 10   | <b>132274</b> | -    | Spessore 3.40mm       | Shim 3.40mm           |               |          |        |                      |
| 11   | <b>027350</b> | 2    | Cuscinetto            | Bearing               |               |          |        |                      |



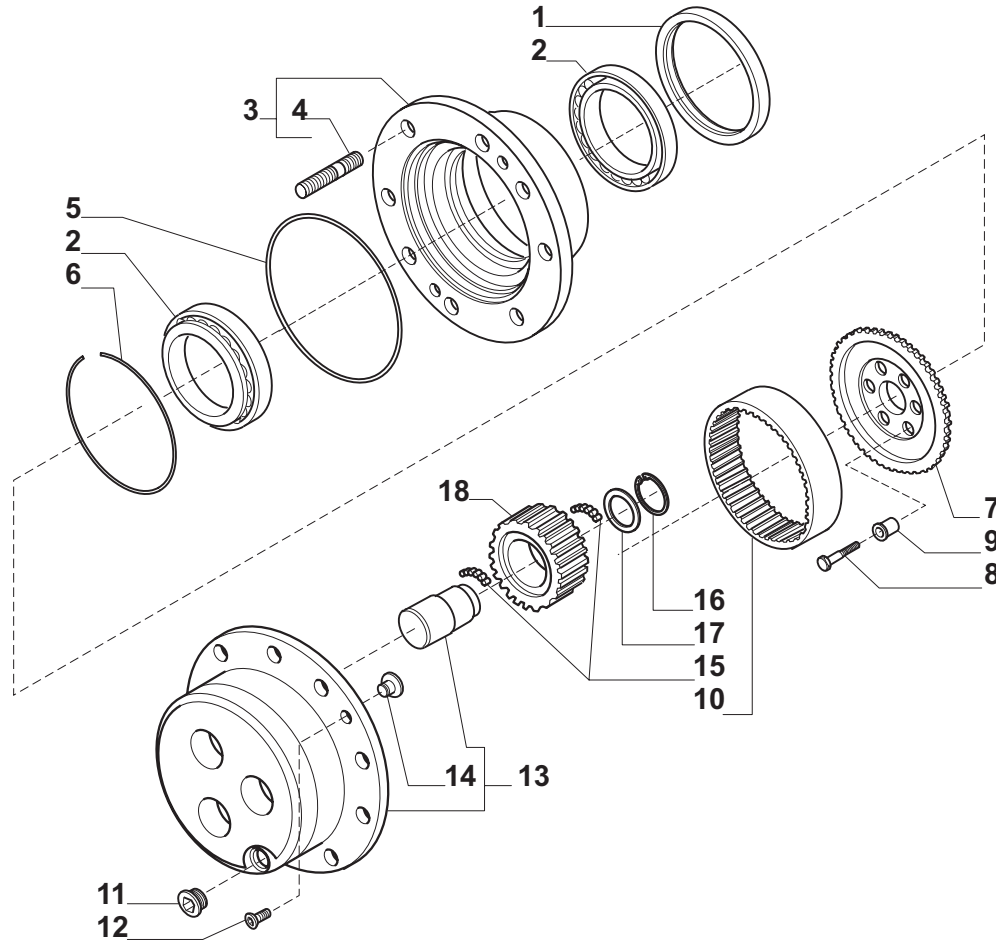
| Pos. | Ref.          | Q.ty | Descrizione                  | Description             | Kit           | From S/N | To S/N | Note |
|------|---------------|------|------------------------------|-------------------------|---------------|----------|--------|------|
| 1    | <b>066283</b> | 1    | Kit ingranaggeria differenz. | Differential kit        |               |          |        |      |
| 2    | <b>115731</b> | 1    | Perno                        | Shaft                   | <b>066283</b> |          |        |      |
| 3    | <b>115730</b> | 2    | Rondella spallamento         | Thrust washer           | <b>066283</b> |          |        |      |
| 4    | <b>116451</b> | 1    | Spina D.7x40                 | Pin D.7x40              | <b>066283</b> |          |        |      |
| 5    | <b>110643</b> | 12   | Controdisco bloc. diff.      | Drive plate             |               |          |        |      |
| 6    | <b>110644</b> | 10   | Disco bloc. diff.            | Plate                   |               |          |        |      |
| 7    | <b>110642</b> | 2    | Disco bloc. diff.            | Plate                   |               |          |        |      |
| 8    | <b>128440</b> | 2    | Vite M6x10 (Atbl.)           | Bolt M6x10 (Self lock.) |               |          |        |      |
| 9    | <b>107778</b> | 2    | Fermo ghiera                 | Locking plate           |               |          |        |      |
| 10   | <b>027309</b> | 2    | Cuscinetto                   | Bearing                 |               |          |        |      |
| 11   | <b>107400</b> | 2    | Ghiera                       | Ring nut                |               |          |        |      |
| 12   | <b>125552</b> | 12   | Vite M10x1.5x75              | Bolt M10x1.5x75         |               |          |        |      |
| 13   | <b>125812</b> | 1    | Scatola differenziale        | Differential housing    |               |          |        |      |



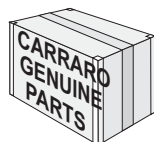
| Pos. | Ref.          | Q.ty | Descrizione               | Description             | Kit           | From S/N | To S/N | Note |
|------|---------------|------|---------------------------|-------------------------|---------------|----------|--------|------|
| 1    | <b>066317</b> | 1    | Kit ingranagg. differenz. | Differential kit        |               |          |        |      |
| 2    | <b>125797</b> | 2    | Rondella spallamento      | Thrust washer           | <b>066317</b> |          |        |      |
| 3    | <b>127897</b> | 1    | Perno                     | Drive plate             | <b>066317</b> |          |        |      |
| 4    | <b>116451</b> | 1    | Spina D7x40               | Pin D7x40               | <b>066317</b> |          |        |      |
| 5    | <b>115730</b> | 2    | Rondella spallamento      | Thrust washer           | <b>066317</b> |          |        |      |
| 6    | <b>128440</b> | 2    | Vite M6x10 (Atbl.)        | Bolt M6x10 (Self lock.) |               |          |        |      |
| 7    | <b>107778</b> | 2    | Fermo ghiera              | Locking plate           |               |          |        |      |
| 8    | <b>107400</b> | 2    | Ghiera                    | Ring nut                |               |          |        |      |
| 9    | <b>027309</b> | 2    | Cuscinetto                | Bearing                 |               |          |        |      |
| 10   | <b>110643</b> | 10   | Controdisco bloc. diff.   | Drive plate             |               |          |        |      |
| 11   | <b>110644</b> | 8    | Disco bloc. diff.         | Plate                   |               |          |        |      |
| 12   | <b>125552</b> | 12   | Vite M10x.5x75 (Atbl.)    | Bolt M10x1.5x75         |               |          |        |      |
| 13   | <b>125812</b> | 1    | Scatola differenziale     | Differential housing    |               |          |        |      |







| Pos. | Ref.   | Q.ty | Descrizione              | Description              | Kit    | From S/N | To S/N | Note |
|------|--------|------|--------------------------|--------------------------|--------|----------|--------|------|
| 1    | 133267 | 2    | Tenuta cassetto          | Cassette seal            |        |          |        |      |
| 2    | 118370 | 4    | Cuscinetto               | Bearing                  |        |          |        |      |
| 3    | 066313 | 2    | Kit mozzo ruota          | Wheel hub assy           | 066313 |          |        |      |
| 4    | 126710 | 16   | Prigioniero              | Stud                     |        |          |        |      |
| 5    | 028603 | 2    | Anello OR                | O.ring                   |        |          |        |      |
| 6    | 125344 | 2    | Anello                   | Ring                     |        |          |        |      |
| 7    | 134298 | 2    | Mozzo fermo corona       | Wheel carrier            |        |          |        |      |
| 8    | 128534 | 12   | Vite M14x1,5x65          | Bolt M14x1,5x65          |        |          |        |      |
| 9    | 131821 | 12   | Bussola di centraggio    | Centering bush           |        |          |        |      |
| 10   | 134299 | 2    | Corona epic. Z=77        | Crown gear Z=77          |        |          |        |      |
| 11   | 125280 | 2    | Tappo olio M30x2         | Drain plug M30x2         |        |          |        |      |
| 12   | 020490 | 4    | Vite M8x20               | Screw M8x20              |        |          |        |      |
| 13   | 066285 | 2    | Kit treno portasatelliti | Planetary carrier assy   | 066285 |          |        |      |
| 14   | 115682 | 2    | Pattino arresto semiasse | Pad                      |        |          |        |      |
| 15   | 028370 | 33.6 | Rullini (a decine)       | Needle bearing (By tens) |        |          |        |      |
| 16   | 024793 | 6    | Anello seeger D.38       | Snap ring                |        |          |        |      |
| 17   | 135366 | 6    | Ralla 45x38.1x2.4        | Thrust washer            |        |          |        |      |
| 18   | 135947 | 6    | Ingranaggio Z=23         | Planetary gear Z=23      |        |          |        |      |



| Kit ref.      | Ref.   | Descrizione              | Description               | Q.ty | Note                  |
|---------------|--------|--------------------------|---------------------------|------|-----------------------|
| <b>066314</b> | -      | Kit coppia conica        | Bevel gear/pinion set     | -    |                       |
| -             | -      | Coppia conica Z=10/31    | Bevel gear/pinion Z=10/31 | 1    |                       |
| -             | 125829 | Rondella 50x40.5x2       | Washer 50x40.5x2          | 2    |                       |
| -             | 126806 | Distanziale elastico     | Collapsible spacer        | 1    |                       |
| -             | 113717 | Rondella fermo ghiera    | Lockwasher                | 1    |                       |
| -             | 115054 | Ghiera M40x1.5           | Ring nut M40x1.5          | 1    |                       |
| <b>066283</b> | -      | Kit ingranaggeria diff.  | Differential kit          | -    | Valid for axle 134852 |
| -             | 115731 | Perno                    | Shaft                     | 1    |                       |
| -             | 115730 | Rondella spallamento     | Thrust washer             | 2    |                       |
| -             | 116451 | Spina D.7x40             | Pin D.7x40                | 1    |                       |
| -             | -      | Ingranaggio Z=11         | Gear Z=11                 | 2    |                       |
| -             | -      | Ingranaggio Z=16         | Gear Z=16                 | 2    |                       |
| <b>066317</b> | -      | Kit ingranaggeria diff.  | Differential kit          | -    | Valid for axle 134853 |
| -             | 125797 | Rondella spallamento     | Thrust washer             | 2    |                       |
| -             | 127897 | Perno                    | Shaft                     | 1    |                       |
| -             | 116451 | Spina D7x40              | Pin D7x40                 | 1    |                       |
| -             | 115730 | Rondella spallamento     | Thrust washer             | 2    |                       |
| -             | -      | Ingranaggio              | Gear                      | 2    |                       |
| -             | -      | Ingranaggio DX           | Gear RH                   | 1    |                       |
| -             | -      | Ingranaggio SX           | Gear LH                   | 1    |                       |
| -             | -      | Manicotto DX             | Sleeve RH                 | 1    |                       |
| -             | -      | Manicotto SX             | Sleeve LH                 | 1    |                       |
| -             | -      | Sfera D10                | Ball D.10                 | 8    |                       |
| <b>066313</b> | -      | Kit mozzo ruota          | Wheel hub assy            | -    |                       |
| -             | 126710 | Prigioniero              | Stud                      | 8    |                       |
| -             | -      | Mozzo ruota              | Whel hub                  | 1    |                       |
| <b>066285</b> | -      | Kit treno portasatelliti | Planetary carrier assy    | -    |                       |
| -             | 115682 | Pattino arresto          | Pad                       | 1    |                       |
| -             | -      | Perno                    | Shaft                     | 3    |                       |
| -             | -      | Treno portasatelliti     | Planetary carrier         | 1    |                       |