



# **CARRARO**

**Catalogo Parti Di Ricambio**

**Spare Parts List**

**Catalogue Pieces De Rechange**

**Ersatzteilkatalog**

**ASSALE 20.22**

**AXLE 20.22**

**ESSIEU 20.22**

**ACHSE 20.22**

**REF. 134854-134855-134856**

**INDICE  
INDEX  
INDEX  
INDEX**

Corpo assale  
Axle housing  
Corps de essieu  
Zentralgehäuse

Calotte e cilindro di sterzo  
Swivel housing and steering cylinder  
Calottes et vérin de direction  
Achszapfen und Lenkzylinder

Coppia conica  
Bevel gear/pinion set  
Couple conique  
Kegelradgetriebe

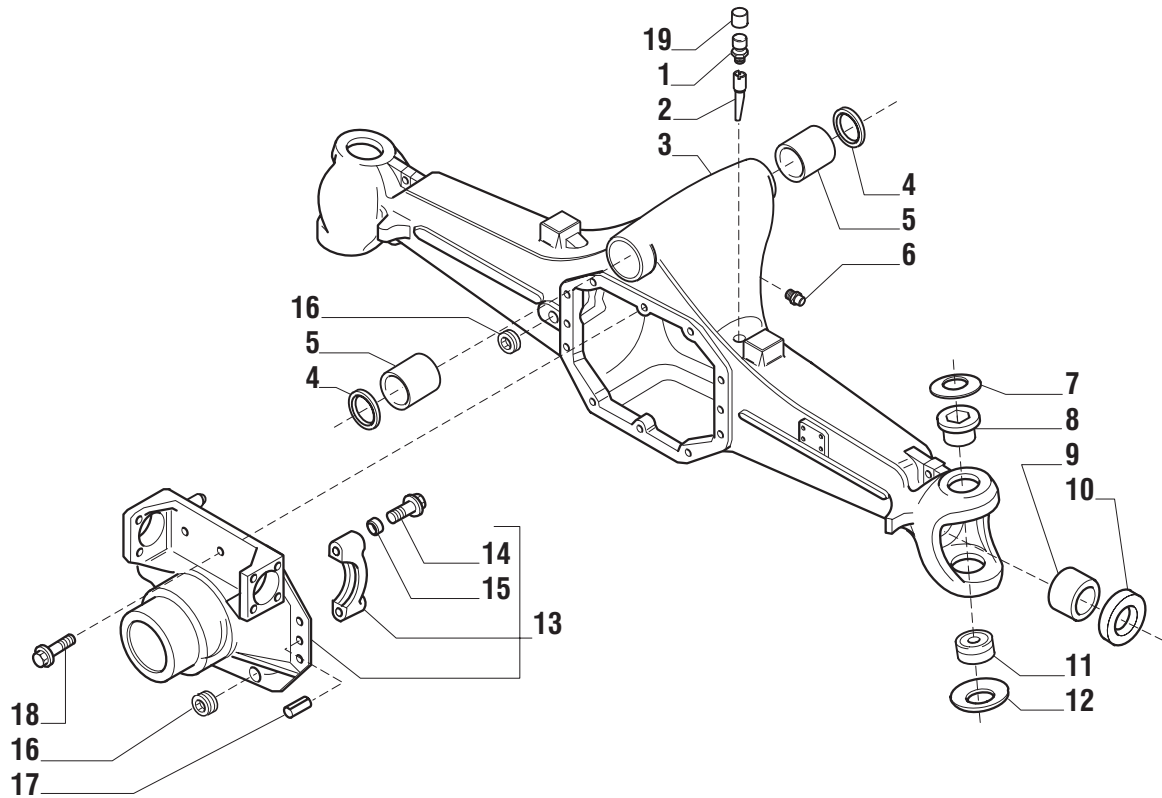
Differenziale (per 134854-134855)  
Differential (for 134854-134855)  
Differential (pour 134854-134855)  
Differential (für 134854-134855)

Differenziale (per 134856)  
Differential (for 134856)  
Differential (pour 134856)  
Differential (für 134856)

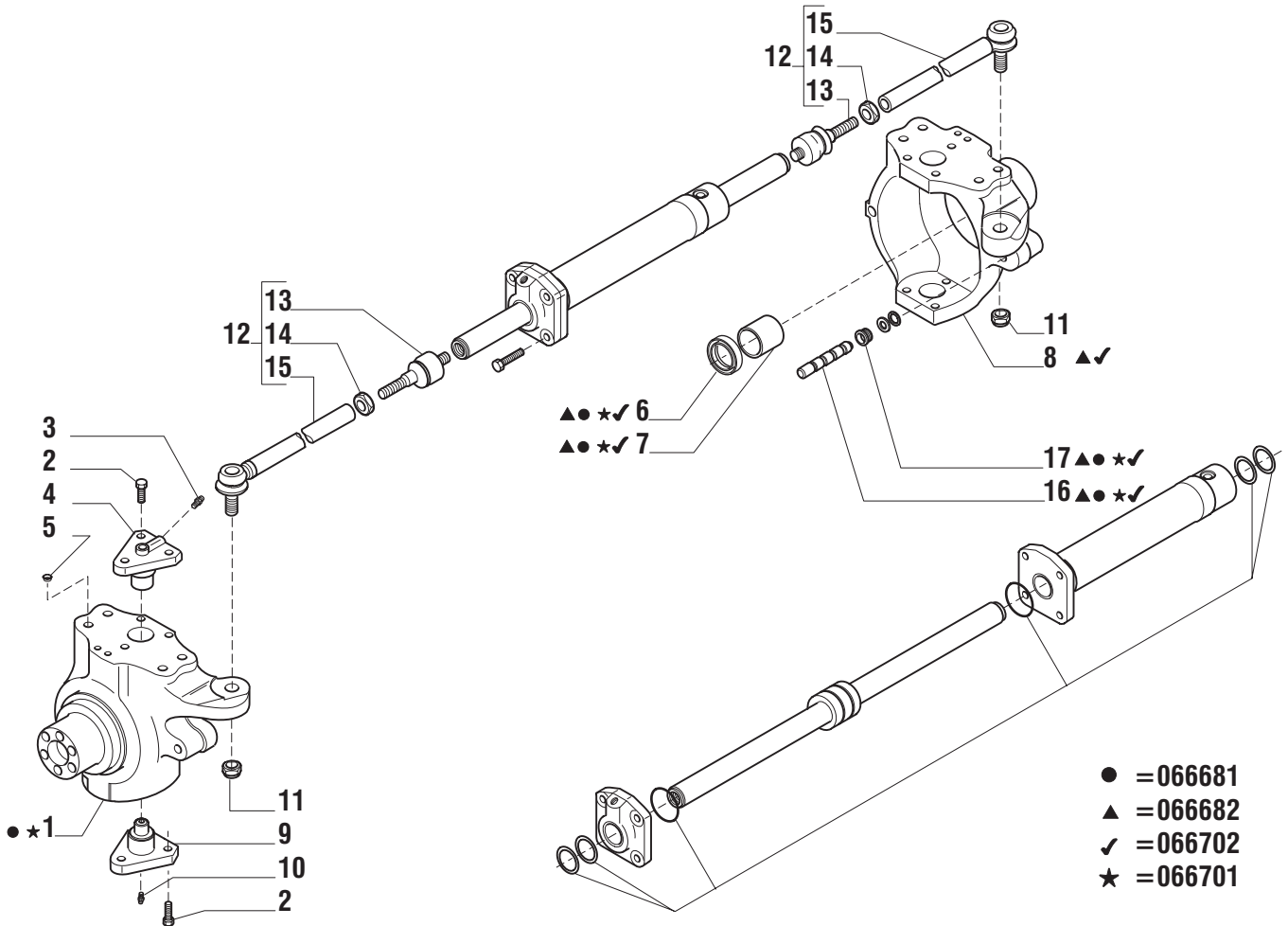
Mozzo ruota e riduzione epicicloidale  
Wheel hub and epicycloidal reduction gears  
Moyeu de roue et réduction épicycloidal  
Radnabe und Planetengetriebe

Sommario kit  
Kit summary  
Sommaire kit  
Ersatzteil-Sets

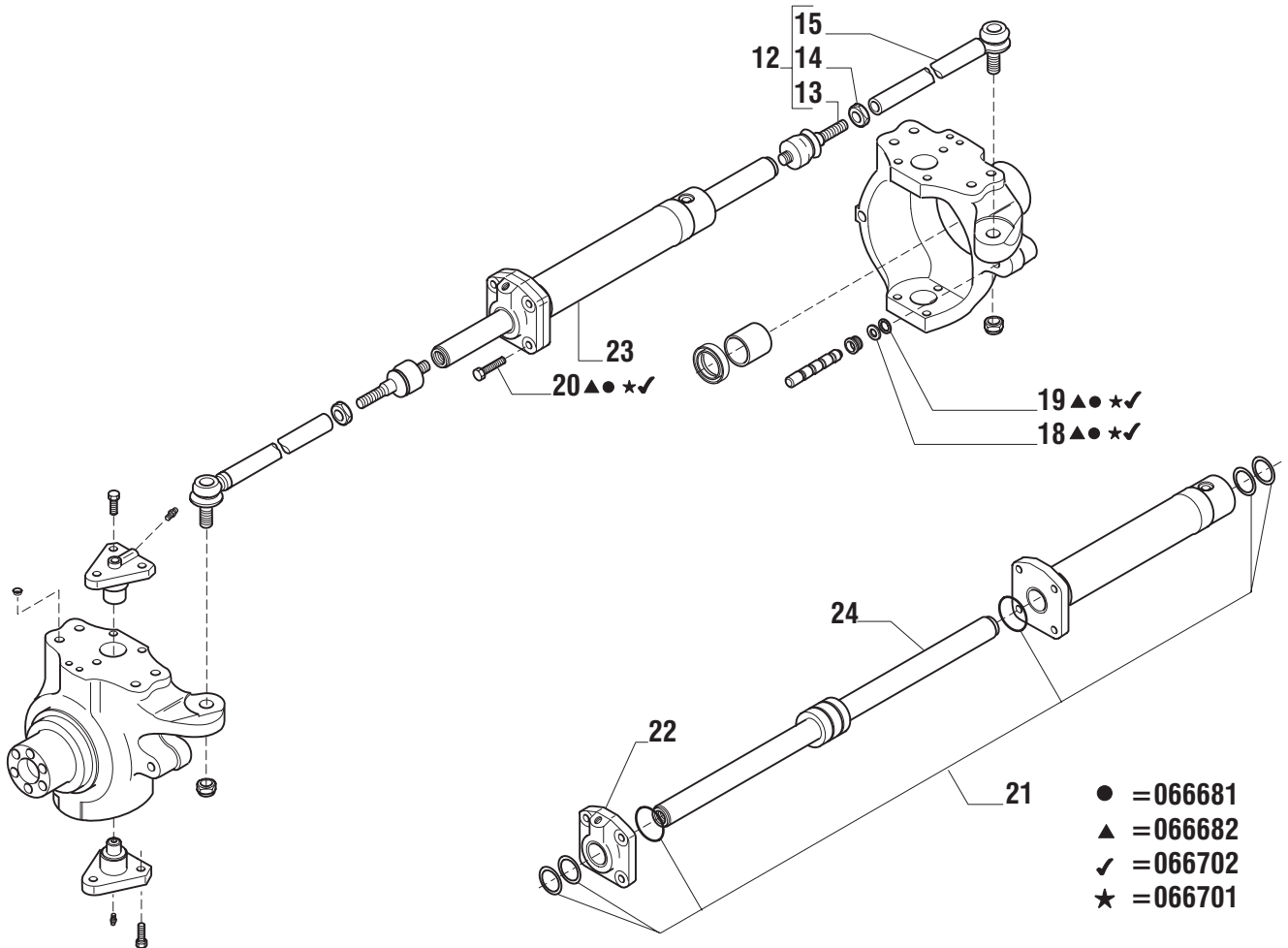
**Il presente catalogo è valido a partire dal N° di matricola 101.  
This catalogue is valid from serial number 101.  
Ce catalogue est valable à commencer du numéro 101.  
Der vorliegende katalog ist gültig ab Serienmr. 101.**



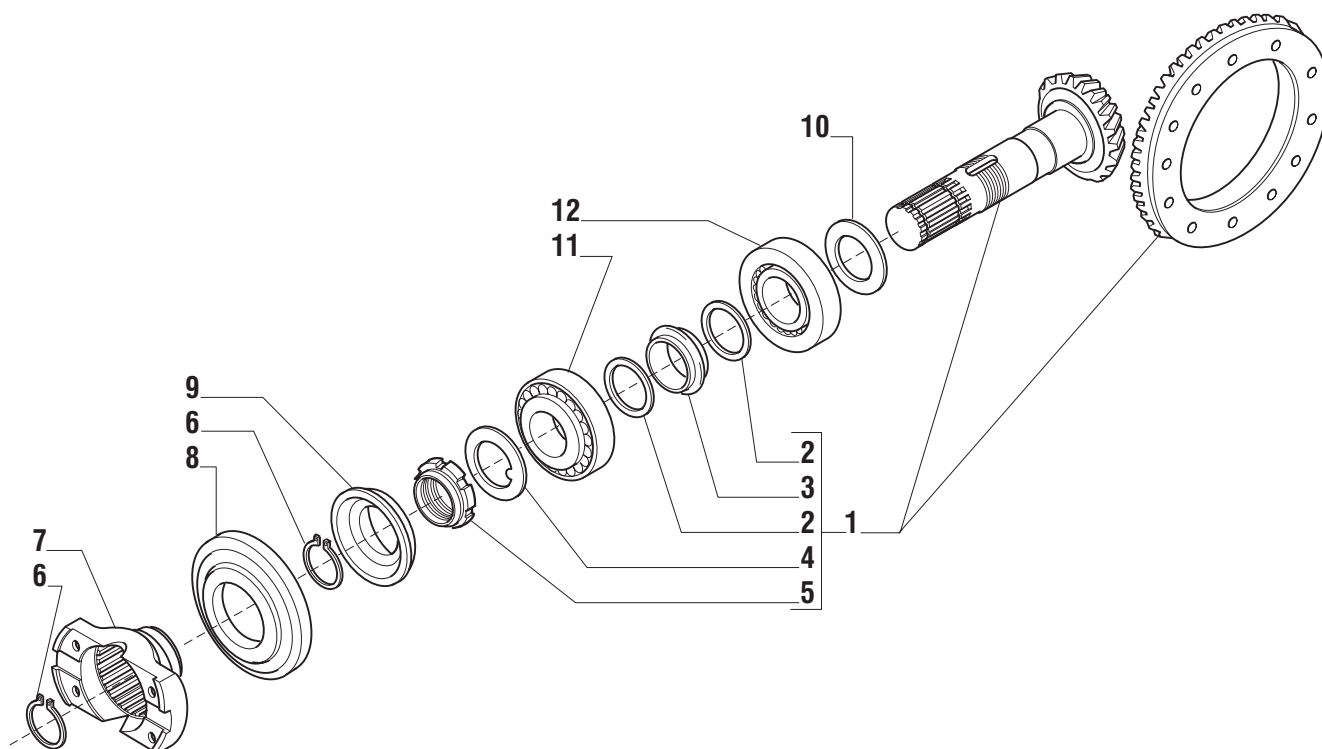
| Pos. | Ref.   | Q.ty | Descrizione            | Description          | Kit | From S/N | To S/N | Note |
|------|--------|------|------------------------|----------------------|-----|----------|--------|------|
| 1    | 104988 | 1    | Sfiato M10x1           | Breather M10x1       |     |          |        |      |
| 2    | 127243 | 1    | Supporto sfiato        | Breather support     |     |          |        |      |
| 3    | 132728 | 1    | Trave                  | Axle housing         |     |          |        |      |
| 4    | 120717 | 2    | Anello di tenuta       | Seal ring            |     |          |        |      |
| 5    | 126610 | 2    | Boccola                | Bush                 |     |          |        |      |
| 6    | 024210 | 1    | Ingrassatore M6x1      | Greaser nipple M6x1  |     |          |        |      |
| 7    | 128633 | 2    | Molla tazza            | Belleville washer    |     |          |        |      |
| 8    | 133148 | 2    | Boccola                | Bush                 |     |          |        |      |
| 9    | 116962 | 2    | Bronzina               | Bush                 |     |          |        |      |
| 10   | 135818 | 2    | Anello di tenuta       | Oil seal             |     |          |        |      |
| 11   | 123726 | 2    | Rotula sferica         | Spherical bearing    |     |          |        |      |
| 12   | 128630 | 2    | Molla tazza            | Belleville washer    |     |          |        |      |
| 13   | 136025 | 1    | Supporto differenziale | Differential support |     |          |        |      |
| 14   | 126022 | 4    | Vite M14x2x75          | Bolt M14x2x75        |     |          |        |      |
| 15   | 072235 | 4    | Bussola centraggio     | Centering bush       |     |          |        |      |
| 16   | 128050 | 2    | Tappo olio M.24        | Drain plug M.24      |     |          |        |      |
| 17   | 087660 | 2    | Spina D.15x35          | Pin D.15x35          |     |          |        |      |
| 18   | 125827 | 10   | Vite M12x1.75x33       | Bolt M12x1.75x33     |     |          |        |      |
| 19   | 130532 | 1    | Coperchio sfiato       | Breather cover       |     |          |        |      |



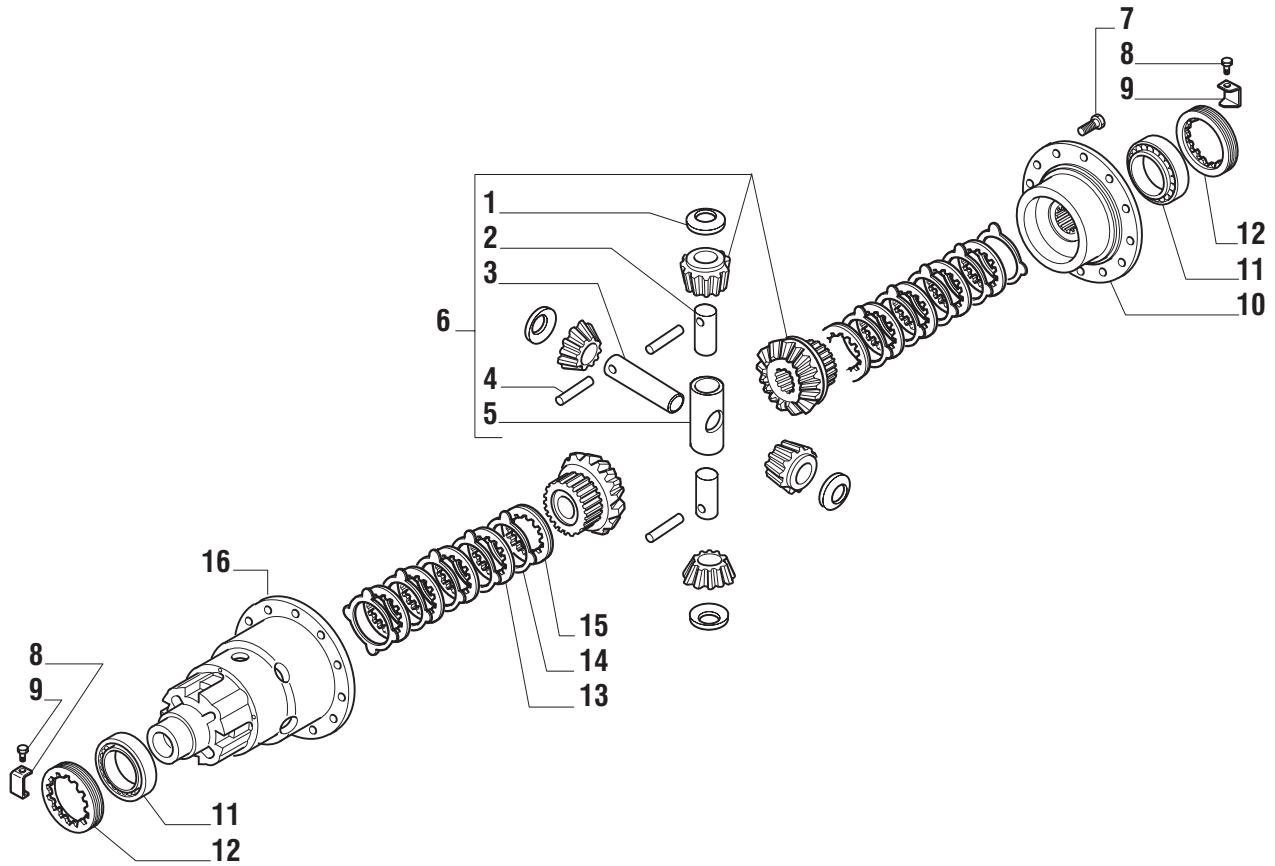
| Pos. | Ref.   | Q.ty | Descrizione               | Description                | Kit                                  | From S/N | To S/N | Note |
|------|--------|------|---------------------------|----------------------------|--------------------------------------|----------|--------|------|
| 1    | 132729 | 1    | Calotta SX.               | Swivel housing L.H.        | 066701<br>066681                     |          |        |      |
| 2    | 126922 | 12   | Vite M14x2x35 (Atbl.)     | Bolt M14x2x35 (Self lock.) |                                      |          |        |      |
| 3    | 024210 | 2    | Ingrassatore M6x1         | Greaser nipple M6x1        |                                      |          |        |      |
| 4    | 133084 | 2    | Perno snodo calotta       | King pin                   |                                      |          |        |      |
| 5    | 030755 | 8    | Tappo D14.5               | Plug D14.5                 |                                      |          |        |      |
| 6    | 132741 | 2    | Anello tenuta 48x75x14x17 | Oil seal 48x75x14x17       | 066682<br>066681<br>066701<br>066702 |          |        |      |
| 7    | 125390 | 2    | Bronzina                  | Bush                       | 066682<br>066681<br>066701<br>066702 |          |        |      |
| 8    | 132730 | 1    | Calotta DX                | Swivel housing R.H.        | 066682<br>066702                     |          |        |      |
| 9    | 128881 | 2    | Perno snodo calotta       | King pin                   |                                      |          |        |      |
| 10   | 024211 | 2    | Ingrassatore M6x1-45°     | Greaser nipple M6x1-45°    |                                      |          |        |      |
| 11   | 022431 | 2    | Dado M20x1.5 (Atbl.)      | Nut M20x1.5 (Self lock.)   |                                      |          |        |      |
| 12   | 132751 | 2    | Asta guida                | Steering arm assy          |                                      |          |        |      |
| 13   | 350400 | 2    | Snodo sferico             | Ball joint                 |                                      |          |        |      |
| 14   | 070787 | 2    | Dado M24x1.5              | Nut M24x1.5                |                                      |          |        |      |
| 15   | 351144 | 2    | Tirante                   | Steering arm               |                                      |          |        |      |
| 16   | 132783 | 2    | Perno                     | Shaft                      | 066682<br>066681<br>066701<br>066702 |          |        |      |
| 17   | 126532 | 2    | Ghiera M32x2              | Ring nut M32x2             | 066682<br>066681<br>066701<br>066702 |          |        |      |



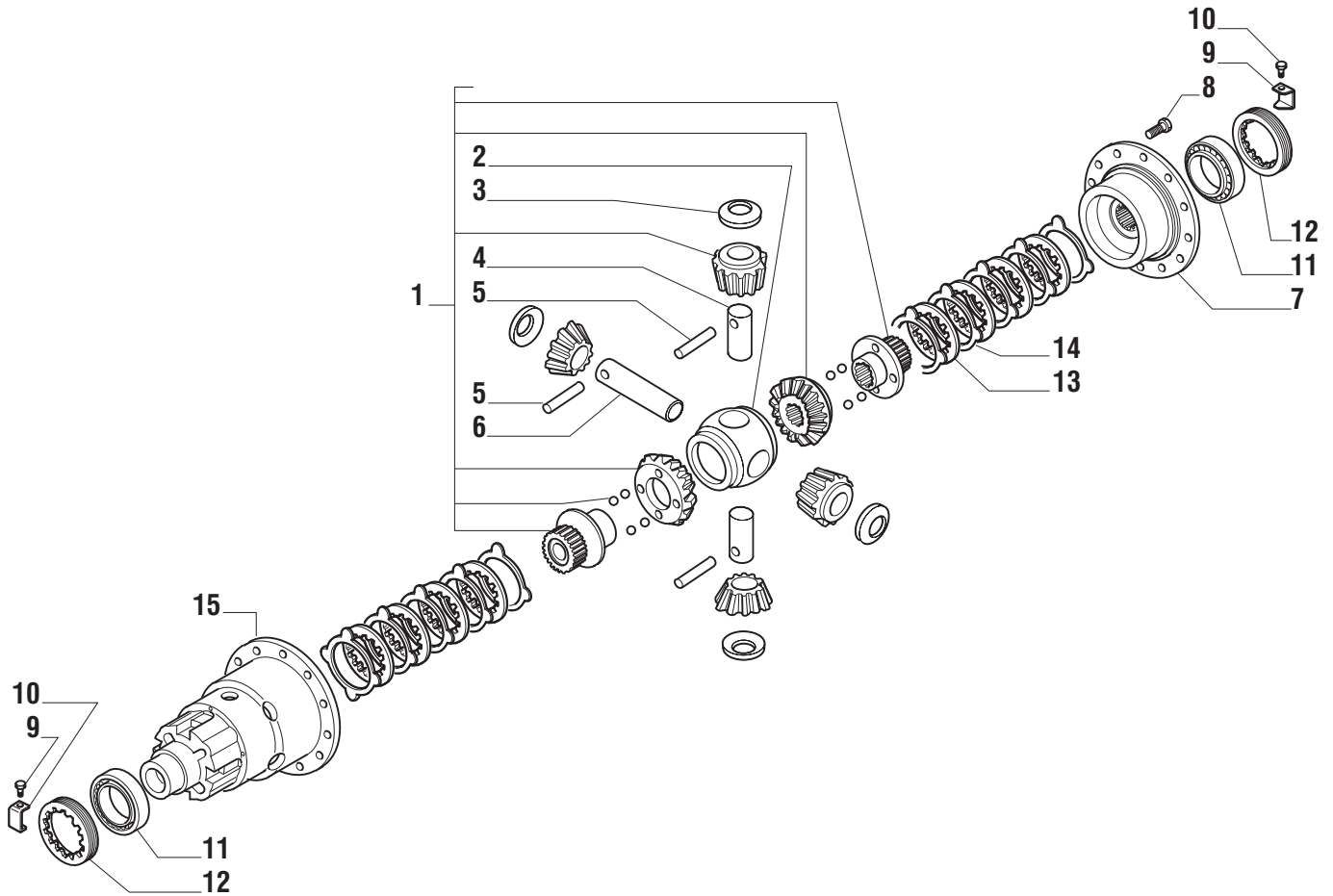
| Pos. | Ref.   | Q.ty | Descrizione         | Description              | Kit                                  | From S/N | To S/N | Note |
|------|--------|------|---------------------|--------------------------|--------------------------------------|----------|--------|------|
| 18   | 126534 | 2    | Rondella            | Washer                   | 066682<br>066681<br>066701<br>066702 |          |        |      |
| 19   | 126533 | -    | Spessore 29x20.5x1  | Shim 29x20.5x1           | 066682<br>066681<br>066701<br>066702 |          |        |      |
| 20   | 128534 | 4    | Vite M12x45 (Atbl.) | Bolt M12x45 (Self lock.) | 066682<br>066681<br>066701<br>066702 |          |        |      |
| 21   | 049220 | 1    | Kit guarnizioni     | Oil seal kit             |                                      |          |        |      |
| 22   | 049221 | 1    | Testata martinetto  | Cylinder head            |                                      |          |        |      |
| 23   | 132735 | 1    | Martinetto          | Steering cylinder        |                                      |          |        |      |
| 24   | 049223 | 1    | Stelo               | Rod                      |                                      |          |        |      |



| Pos. | Ref.          | Q.ty | Descrizione           | Description                 | Kit           | From S/N | To S/N | Note                   |
|------|---------------|------|-----------------------|-----------------------------|---------------|----------|--------|------------------------|
| 1    | <b>066315</b> | 1    | Coppia conica Z=10/31 | Bevel gear/Pinion set 10/31 |               |          |        | For ref. 134854-134856 |
| 1    | <b>066316</b> | 1    | Coppia conica Z=10/33 | Bevel gear/Pinion set 10/33 |               |          |        | For ref. 134855        |
| 2    | <b>125829</b> | 2    | Rondella 50x40.5x2    | Washer 50x40.5x2            | <b>066315</b> |          |        | For ref. 134854-134856 |
| 3    | <b>126369</b> | 1    | Distanziale elastico  | Collapsible spacer          | <b>066315</b> |          |        | For ref. 134855        |
| 4    | <b>113717</b> | 1    | Rondella fermo ghiera | Lockwasher                  | <b>066316</b> |          |        | For ref. 134854-134856 |
| 5    | <b>115054</b> | 1    | Ghiera M40x1,5        | Ring nut M40x1,5            | <b>066315</b> |          |        | For ref. 134855        |
| 6    | <b>024789</b> | 2    | Anello seeger D.34    | Snap ring D.34              | <b>066316</b> |          |        | For ref. 134854-134856 |
| 7    | <b>134334</b> | 1    | Flangia               | Flange                      |               | 101      | 109    | For ref. 134854        |
|      |               |      |                       |                             |               | 101      | 105    | For ref. 134855        |
|      |               |      |                       |                             |               | 101      | 113    | For ref. 134856        |
| 7    | <b>137662</b> | 1    | Flangia               | Flange                      |               | 110      |        | For ref. 134854        |
|      |               |      |                       |                             |               | 106      |        | For ref. 134855        |
|      |               |      |                       |                             |               | 114      |        | For ref. 134856        |
| 8    | <b>123767</b> | 1    | Coperchio             | Cover                       |               |          |        |                        |
| 9    | <b>134339</b> | 1    | Anello di tenuta      | Oil seal                    |               |          |        |                        |
| 10   | <b>134186</b> | -    | Spessore 2.50mm       | Shim 2.50mm                 |               |          |        |                        |
| 10   | <b>134187</b> | -    | Spessore 2.60mm       | Shim 2.60mm                 |               |          |        |                        |
| 10   | <b>134188</b> | -    | Spessore 2.70mm       | Shim 2.70mm                 |               |          |        |                        |
| 10   | <b>134189</b> | -    | Spessore 2.80mm       | Shim 2.80mm                 |               |          |        |                        |
| 10   | <b>134190</b> | -    | Spessore 2.90mm       | Shim 2.90mm                 |               |          |        |                        |
| 10   | <b>134191</b> | -    | Spessore 3.00mm       | Shim 3.00mm                 |               |          |        |                        |
| 10   | <b>134192</b> | -    | Spessore 3.10mm       | Shim 3.10mm                 |               |          |        |                        |
| 10   | <b>134193</b> | -    | Spessore 3.20mm       | Shim 3.20mm                 |               |          |        |                        |
| 10   | <b>134194</b> | -    | Spessore 3.30mm       | Shim 3.30mm                 |               |          |        |                        |
| 10   | <b>134195</b> | -    | Spessore 3.40mm       | Shim 3.40mm                 |               |          |        |                        |
| 11   | <b>027350</b> | 1    | Cuscinetto            | Bearing                     |               |          |        |                        |
| 12   | <b>027395</b> | 1    | Cuscinetto            | Bearing                     |               |          |        |                        |

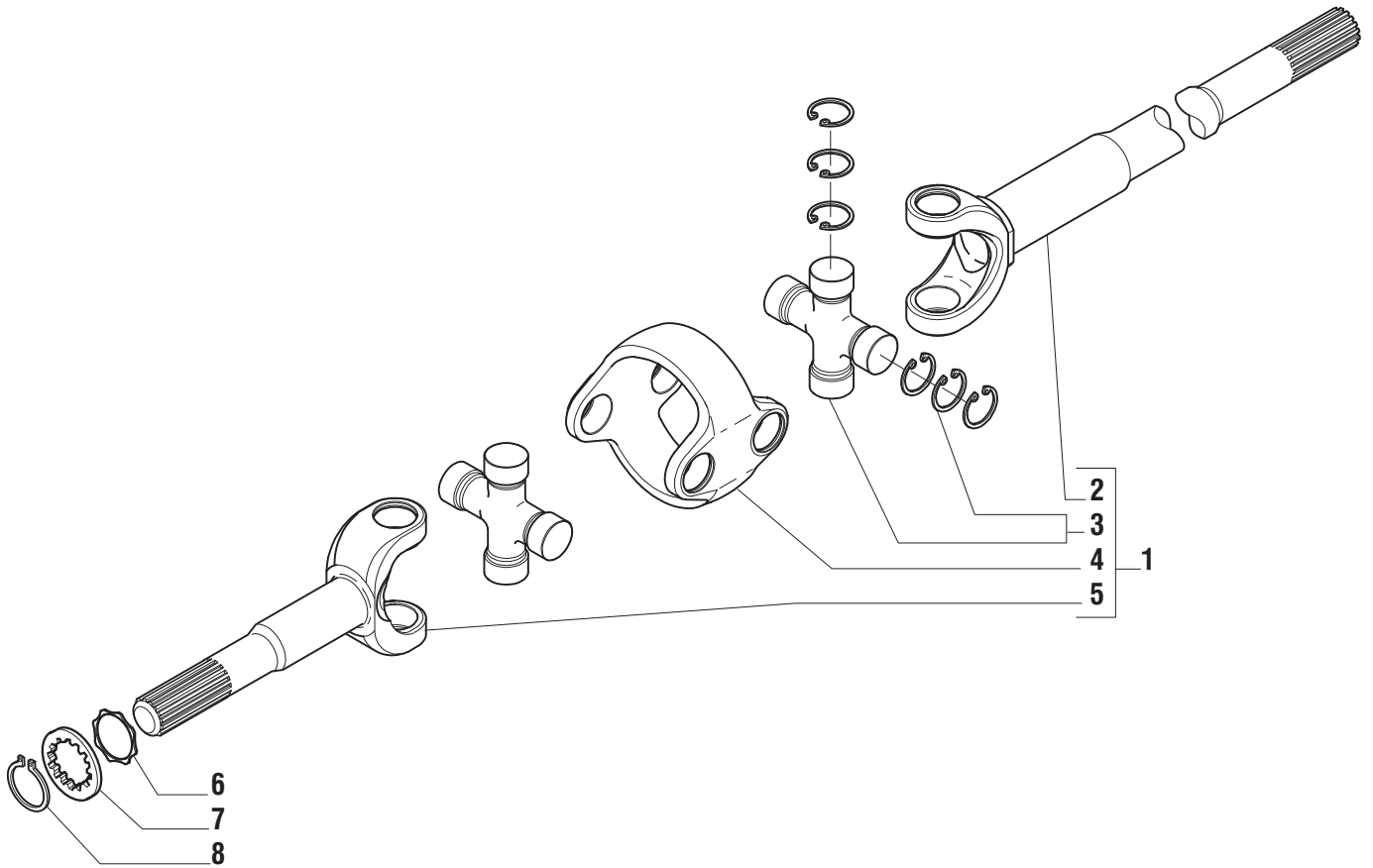


| Pos. | Ref.   | Q.ty | Descrizione                 | Description              | Kit    | From S/N | To S/N | Note            |
|------|--------|------|-----------------------------|--------------------------|--------|----------|--------|-----------------|
| 1    | 115730 | 4    | Rondella spallamento        | Thrust washer            | 066295 |          |        |                 |
| 2    | 133155 | 2    | Perno                       | Shaft                    | 066295 |          |        |                 |
| 3    | 115731 | 1    | Perno                       | Shaft                    | 066295 |          |        |                 |
| 4    | 070273 | 3    | Spina D7x65                 | Pin D7x65                | 066295 |          |        |                 |
| 5    | 130156 | 1    | Crocera                     | Spider                   |        | 101      | 148    | For ref. 134854 |
| 5    | 137537 | 1    | Crocera                     | Spider                   | 066295 | 101      | 141    | For ref. 134855 |
| 5    | 137537 | 1    | Crocera                     | Spider                   | 066295 | 149      |        | For ref. 134854 |
| 5    | 137537 | 1    | Crocera                     | Spider                   | 066295 | 142      |        | For ref. 134855 |
| 6    | 066295 | 1    | Kit ingranag. differenziale | Differential kit         |        |          |        |                 |
| 7    | 127921 | 12   | Vite M10x30 (Atbl.)         | Bolt M10x30 (Self lock.) |        |          |        |                 |
| 8    | 136024 | 2    | Fermo ghiera                | Locking plate            |        |          |        |                 |
| 9    | 128440 | 2    | Vite M6x10 (Atbl.)          | Screw M6x10 (Self lock.) |        |          |        |                 |
| 10   | 133151 | 1    | Coperchio                   | Cover                    |        |          |        |                 |
| 11   | 027256 | 2    | Cuscinetto                  | Bearing                  |        |          |        |                 |
| 12   | 107400 | 2    | Ghiera                      | Ring nut                 |        |          |        |                 |
| 13   | 113879 | 8    | Disco                       | Plate                    |        |          |        |                 |
| 14   | 113880 | 10   | Controdisco                 | Drive-plate              |        |          |        |                 |
| 15   | 113883 | 2    | Disco                       | Plate                    |        |          |        |                 |
| 16   | 133150 | 1    | Scatola differenziale       | Differential housing     |        |          |        |                 |

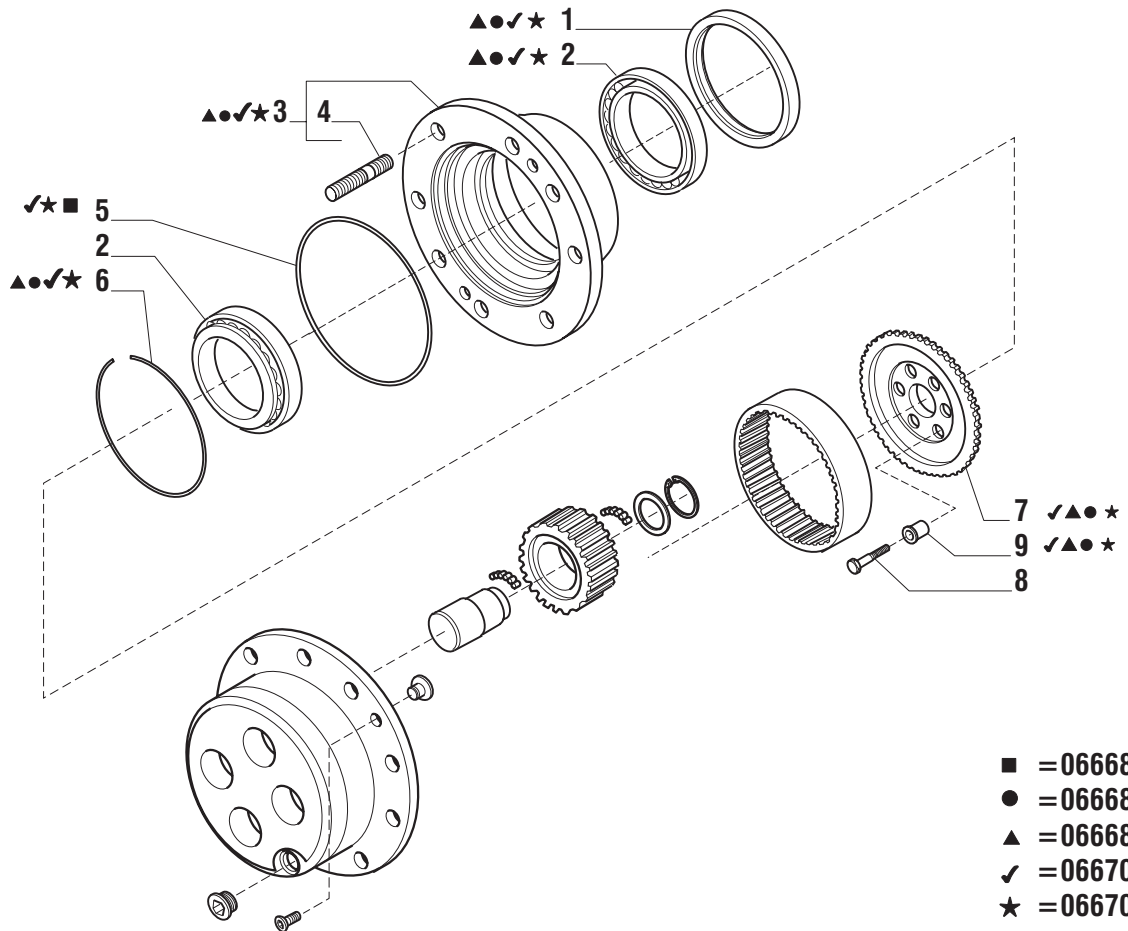


| Pos. | Ref.          | Q.ty | Descrizione                 | Description              | Kit           | From S/N | To S/N | Note |
|------|---------------|------|-----------------------------|--------------------------|---------------|----------|--------|------|
| 1    | <b>066318</b> | 1    | Kit ingranag. differenziale | Differential kit         |               |          |        |      |
| 2    | <b>134001</b> | 1    | Crocera                     | Spider                   | <b>066318</b> |          |        |      |
| 3    | <b>115730</b> | 4    | Rondella spallamento        | Thrust washer            | <b>066318</b> |          |        |      |
| 4    | <b>133155</b> | 2    | Perno                       | Shaft                    | <b>066318</b> |          |        |      |
| 5    | <b>070273</b> | 3    | Spina                       | Pin                      | <b>066318</b> |          |        |      |
| 6    | <b>115731</b> | 1    | Perno                       | Shaft                    | <b>066318</b> |          |        |      |
| 7    | <b>133151</b> | 1    | Coperchio diff.             | Cover                    |               |          |        |      |
| 8    | <b>127921</b> | 12   | Vite M10x30 (Atbl.)         | Bolt M10x30 (Self lock.) |               |          |        |      |
| 9    | <b>136024</b> | 2    | Fermo ghiera                | Locking plate            |               |          |        |      |
| 10   | <b>128440</b> | 2    | Vite M6x10 (Atbl.)          | Screw M6x10 (Self lock.) |               |          |        |      |
| 11   | <b>027256</b> | 2    | Cuscinetto                  | Bearing                  |               |          |        |      |
| 12   | <b>107400</b> | 2    | Ghiera                      | Ring nut                 |               |          |        |      |
| 13   | <b>113879</b> | 8    | Disco                       | Plate                    |               |          |        |      |
| 14   | <b>113880</b> | 10   | Controdisco                 | Drive plate              |               |          |        |      |
| 15   | <b>133150</b> | 1    | Scatola diff.               | Body                     |               |          |        |      |



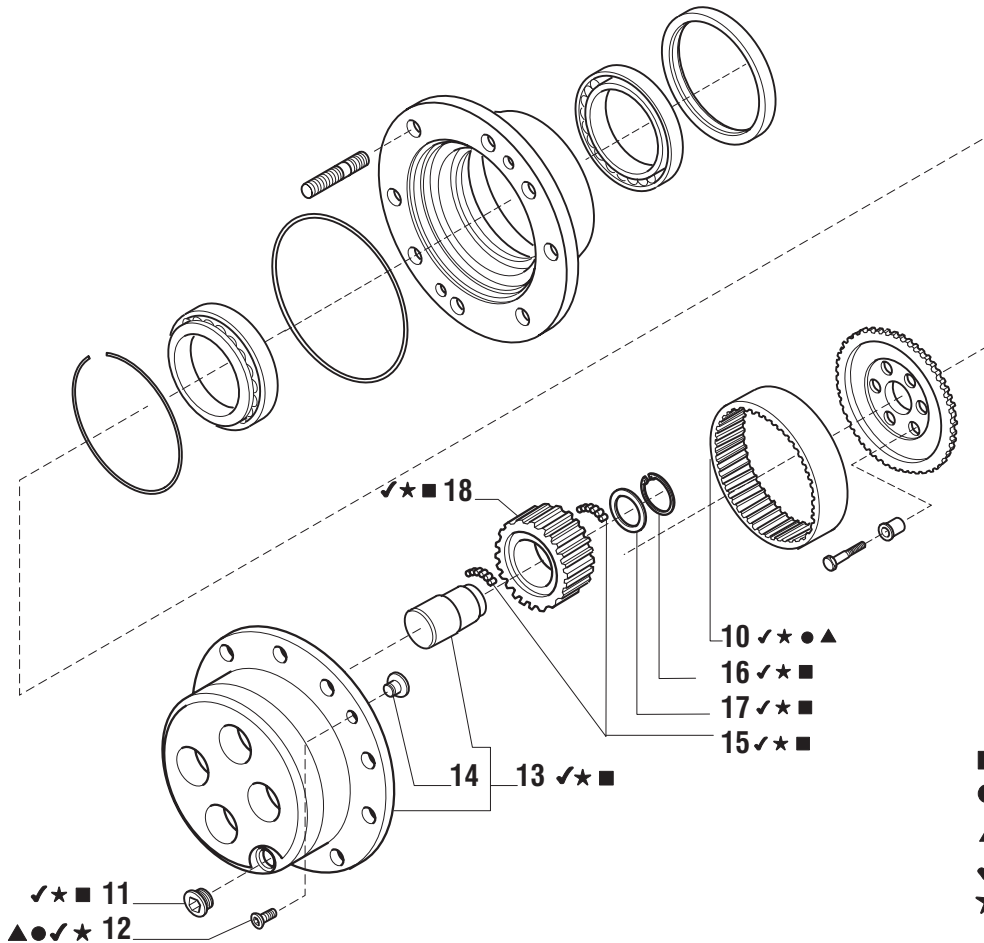


| Pos. | Ref.   | Q.ty | Descrizione            | Description             | Kit | From S/N | To S/N | Note |
|------|--------|------|------------------------|-------------------------|-----|----------|--------|------|
| 1    | 132734 | 2    | Doppio giunto          | Drive shafts            |     | 101      |        |      |
| 1    | 138514 | 2    | Doppio giunto          | Drive shafts            |     |          |        |      |
| 2    | 046293 | 2    | Semiassse (Lato diff.) | Half-shaft (Diff.side)  |     |          |        |      |
| 3    | 046297 | 4    | Crocera                | Spider                  |     |          |        |      |
| 4    | 046279 | 2    | Corpo centrale         | Central body            |     |          |        |      |
| 5    | 046244 | 2    | Semiassse (Lato ruota) | Half-shaft (Wheel side) |     |          |        |      |
| 6    | 132165 | 2    | Rondella rasamento     | Thrust washer           |     |          |        |      |
| 7    | 127129 | 2    | Rondella 52x44.6x2.5   | Washer 52x44.6x2.5      |     |          |        |      |
| 8    | 024800 | 2    | Anello seeger D.45     | Snap ring D.45          |     |          |        |      |
| 8    | 024799 | 2    | Anello seeger D.45     | Snap ring D.45          |     | 101      |        |      |



- = 066683
- = 066681
- ▲ = 066682
- ✓ = 066702
- ★ = 066701

| Pos. | Ref.   | Q.ty | Descrizione           | Description    | Kit                                  | From S/N | To S/N | Note |
|------|--------|------|-----------------------|----------------|--------------------------------------|----------|--------|------|
| 1    | 133267 | 2    | Tenuta cassetto       | Cassette seal  | 066682<br>066681<br>066701<br>066702 |          |        |      |
| 2    | 118370 | 4    | Cuscinetto            | Bearing        | 066682<br>066681<br>066701<br>066702 |          |        |      |
| 3    | 066313 | 2    | Kit mozzo ruota       | Wheel hub assy | 066682<br>066681<br>066701<br>066702 |          |        |      |
| 4    | 126710 | 16   | Prigioniero           | Stud           | 066313                               |          |        |      |
| 5    | 028603 | 2    | Anello OR             | O.ring         | 066701<br>066702<br>066683           |          |        |      |
| 6    | 125344 | 2    | Anello                | Ring           | 066682<br>066681<br>066702<br>066701 |          |        |      |
| 7    | 134298 | 2    | Mozzo fermo corona    | Wheel carrier  | 066702<br>066682<br>066681<br>066701 |          |        |      |
| 8    | 128534 | 16   | Vite M12x45           | Bolt M12x45    |                                      |          |        |      |
| 9    | 131821 | 16   | Bussola di centraggio | Centering bush | 066702<br>066682<br>066681<br>066701 |          |        |      |



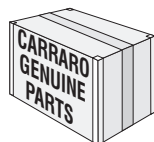
- = 066683
- = 066681
- ▲ = 066682
- ✓ = 066702
- ★ = 066701

| Pos. | Ref.   | Q.ty | Descrizione              | Description               | Kit                                  | From S/N | To S/N | Note |
|------|--------|------|--------------------------|---------------------------|--------------------------------------|----------|--------|------|
| 10   | 134299 | 2    | Corona epic. Z=77        | Crown gear Z=77           | 066702<br>066682<br>066681<br>066701 |          |        |      |
| 11   | 125280 | 2    | Tappo olio M30x2         | Drain plug M30x2          | 066702<br>066701<br>066683           |          |        |      |
| 12   | 020490 | 4    | Vite M8x20               | Screw M8x20               | 066682<br>066681<br>066702<br>066701 |          |        |      |
| 13   | 066287 | 2    | Kit treno portasatelliti | Planetary carrier assy    | 066702<br>066701<br>066683           |          |        |      |
| 14   | 115682 | 2    | Pattino arresto semiasse | Pad                       | 066287                               |          |        |      |
| 15   | 028370 | 44.8 | Rullini (a decine)       | Needle bearing (By tens)  | 066702<br>066701<br>066683           |          |        |      |
| 16   | 024793 | 8    | Anello seeger D.38       | Snap ring                 | 066702<br>066701<br>066683           |          |        |      |
| 17   | 135366 | 8    | Ralla 45x38.1x2.4        | Thrust washer 45x38.1x2.4 | 066702<br>066701<br>066683           |          |        |      |
| 18   | 135947 | 8    | Ingranaggio Z=23         | Planetary gear Z=23       | 066702<br>066701<br>066683           |          |        |      |



| Kit ref.      | Ref.   | Descrizione              | Description               | Q.ty | Note                   |
|---------------|--------|--------------------------|---------------------------|------|------------------------|
| <b>066315</b> | -      | Kit coppia conica        | Bevel gear/pinion set     | -    | For ref. 134854-134856 |
| -             | -      | Coppia conica Z=10/31    | Bevel gear/pinion Z=10/31 | 1    |                        |
| -             | 125369 | Distanziale elastico     | Collapsible spacer        | 1    |                        |
| -             | 126829 | Rondella 50x40.5x2       | Washer 50x40.5x2          | 2    |                        |
| -             | 113717 | Rondella fermo ghiera    | Lockwasher                | 1    |                        |
| -             | 115054 | Ghiera M40x1.5           | Ring nut M40x1.5          | 1    |                        |
| <b>066316</b> | -      | Kit coppia conica        | Bevelgear/pinion set      | -    | For ref. 134855        |
| -             | -      | Coppia conica Z=10/33    | Bevel gear/pinion Z=10/33 | 1    |                        |
| -             | 125369 | Distanziale elastico     | Collapsible spacer        | 1    |                        |
| -             | 126829 | Rondella 50x40.5x2       | Washer 50x40.5x2          | 2    |                        |
| -             | 113717 | Rondella fermo ghiera    | Lockwasher                | 1    |                        |
| -             | 115054 | Ghiera M40x1.5           | Ring nut M40x1.5          | 1    |                        |
| <b>066295</b> | -      | Kit ingranaggeria diff.  | Differential kit          | -    | For ref.134854-134855  |
| -             | 115730 | Rondella spallamento     | Thrust washer             | 4    |                        |
| -             | 133155 | Perno                    | Shaft                     | 2    |                        |
| -             | 115731 | Perno                    | Shaft                     | 1    |                        |
| -             | 070273 | Spina D7x65              | Pin D.7x65                | 3    |                        |
| -             | 137537 | Crocera                  | Spider                    | 1    |                        |
| -             | -      | Ingranaggio Z=11         | Gear Z=11                 | 4    |                        |
| -             | -      | Ingranaggio Z=16         | Gear Z=16                 | 2    |                        |
| <b>066318</b> | -      | Kit ingranaggeria diff.  | Differential kit          | -    | For axle ref. 134856   |
| -             | 115730 | Rondella spallamento     | Thrust washer             | 4    |                        |
| -             | 133155 | Perno                    | Shaft                     | 2    |                        |
| -             | 115731 | Perno                    | Shaft                     | 1    |                        |
| -             | 070273 | Spina D7x65              | Pin D7x65                 | 3    |                        |
| -             | 134001 | Crocera                  | Spider                    | 1    |                        |
| -             | -      | Sfera                    | Ball                      | 8    |                        |
| -             | -      | Ingranaggio              | Gear                      | 4    |                        |
| -             | -      | Manicotto DX             | Sleeve RH                 | 1    |                        |
| -             | -      | Manicotto SX             | Sleeve LH                 | 1    |                        |
| -             | -      | Ingranaggio DX           | Gear RH                   | 1    |                        |
| -             | -      | Ingranaggio SX           | Gear LH                   | 1    |                        |
| <b>066313</b> | -      | Kit mozzo ruota          | Wheel hub assy            | -    |                        |
| -             | 126710 | Prigioniero              | Stud                      | 8    |                        |
| -             | -      | Mozzo ruota              | Whel hub                  | 1    |                        |
| <b>066287</b> | -      | Kit treno portasatelliti | Planetary carrier assy    | -    |                        |
| -             | 115682 | Pattino arresto          | Pad                       | 1    |                        |

Manuale di riparazione / Repair manual / Manual de reparation / Ersatzlehrbuch - COD:



| Kit ref.      | Ref.   | Descrizione              | Description            | Q.ty | Note |
|---------------|--------|--------------------------|------------------------|------|------|
| <b>066681</b> | -      | Kit Calotta SX           | LH Swivel housing kit  | -    |      |
| -             | 020490 | Vite M8 x 20             | Bolt M8 x20            | 2    |      |
| -             | 066313 | Kit mozzo ruota          | Wheel hub assy         | 1    |      |
| -             | 118370 | Cuscinetto               | Bearing                | 2    |      |
| -             | 125344 | Anello                   | Ring                   | 1    |      |
| -             | 125390 | Bronzina                 | Bush                   | 1    |      |
| -             | 126532 | Ghiera                   | Ring nut               | 1    |      |
| -             | 126533 | Spessore                 | Shim                   | 4    |      |
| -             | 126534 | Rondella                 | Washer                 | 1    |      |
| -             | 128534 | Vite M12 x 45            | Bolt M12 x 45          | 8    |      |
| -             | 131281 | Bussola                  | Bush                   | 8    |      |
| -             | 132729 | Calotta Sx               | LH Swivel housing      | 1    |      |
| -             | 132741 | Anello di tenuta         | Oil seal               | 1    |      |
| -             | 132783 | Perno                    | Shaft                  | 1    |      |
| -             | 133267 | Tenuta a cassetto        | Oil seal               | 1    |      |
| -             | 134298 | Mozzo fermo corona       | Wheel carrierr         | 1    |      |
| -             | 134299 | Corona epic. Z=77        | Crown gear Z=77        | 1    |      |
| <b>066682</b> | -      | Kit Calotta DX           | RH Swivel housing kit  | -    |      |
| -             | 020490 | Vite M8 x 20             | Bolt M8 x20            | 2    |      |
| -             | 066313 | Kit mozzo ruota          | Wheel hub assy         | 1    |      |
| -             | 118370 | Cuscinetto               | Bearing                | 2    |      |
| -             | 125344 | Anello                   | Ring                   | 1    |      |
| -             | 125390 | Bronzina                 | Bush                   | 1    |      |
| -             | 126532 | Ghiera                   | Ring nut               | 1    |      |
| -             | 126533 | Spessore                 | Shim                   | 4    |      |
| -             | 126534 | Rondella                 | Washer                 | 1    |      |
| -             | 128534 | Vite M12 x 45            | Bolt M12 x 45          | 8    |      |
| -             | 131281 | Bussola                  | Bush                   | 8    |      |
| -             | 132730 | Calotta DX               | RH Swivel housing      | 1    |      |
| -             | 132741 | Anello di tenuta         | Oil seal               | 1    |      |
| -             | 132783 | Perno                    | Shaft                  | 1    |      |
| -             | 133267 | Tenuta a cassetto        | Oil seal               | 1    |      |
| -             | 134298 | Mozzo fermo corona       | Wheel carrierr         | 1    |      |
| -             | 134299 | Corona epic. Z=77        | Crown gear Z=77        | 1    |      |
| <b>066683</b> | -      | Kit mozzo fermo corona   | Wheel carrier kit      | -    |      |
| -             | 024793 | Anello seeger            | Snap ring              | 4    |      |
| -             | 028370 | Rullini                  | Needle bearing         | 22,4 |      |
| -             | 028603 | O-ring                   | O-ring                 | 1    |      |
| -             | 066287 | Kit treno portasatelliti | Planetary carrier assy | 1    |      |
| -             | 125280 | Tappo                    | Plug                   | 1    |      |
| -             | 135947 | Ingranaggio Z=23         | Gear Z=23              | 4    |      |
| -             | 135366 | Ralla                    | Thrust washer          | 4    |      |