



CARRARO

Catalogo Parti Di Ricambio

Spare Parts List

Catalogue Pieces De Rechange

Ersatzteilkatalog

ASSALE 20.22

AXLE 20.22

ESSIEU 20.22

ACHSE 20.22

REF. 134854-134855-134856

**INDICE
INDEX
INDEX
INDEX**

Corpo assale
Axle housing
Corps de essieu
Zentralgehäuse

Calotte e cilindro di sterzo
Swivel housing and steering cylinder
Calottes et vérin de direction
Achszapfen und Lenkzylinder

Coppia conica
Bevel gear/pinion set
Couple conique
Kegelradgetriebe

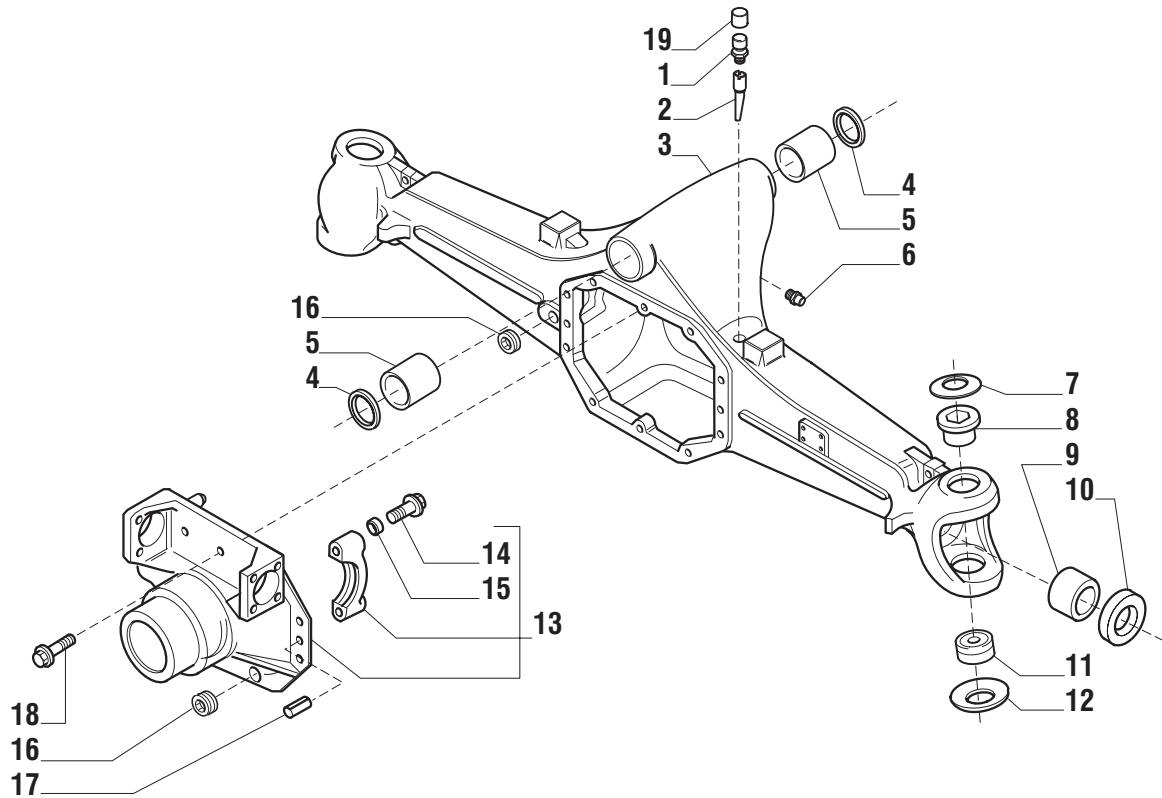
Differenziale (per 134854-134855)
Differential (for 134854-134855)
Differential (pour 134854-134855)
Differential (für 134854-134855)

Differenziale (per 134856)
Differential (for 134856)
Differential (pour 134856)
Differential (für 134856)

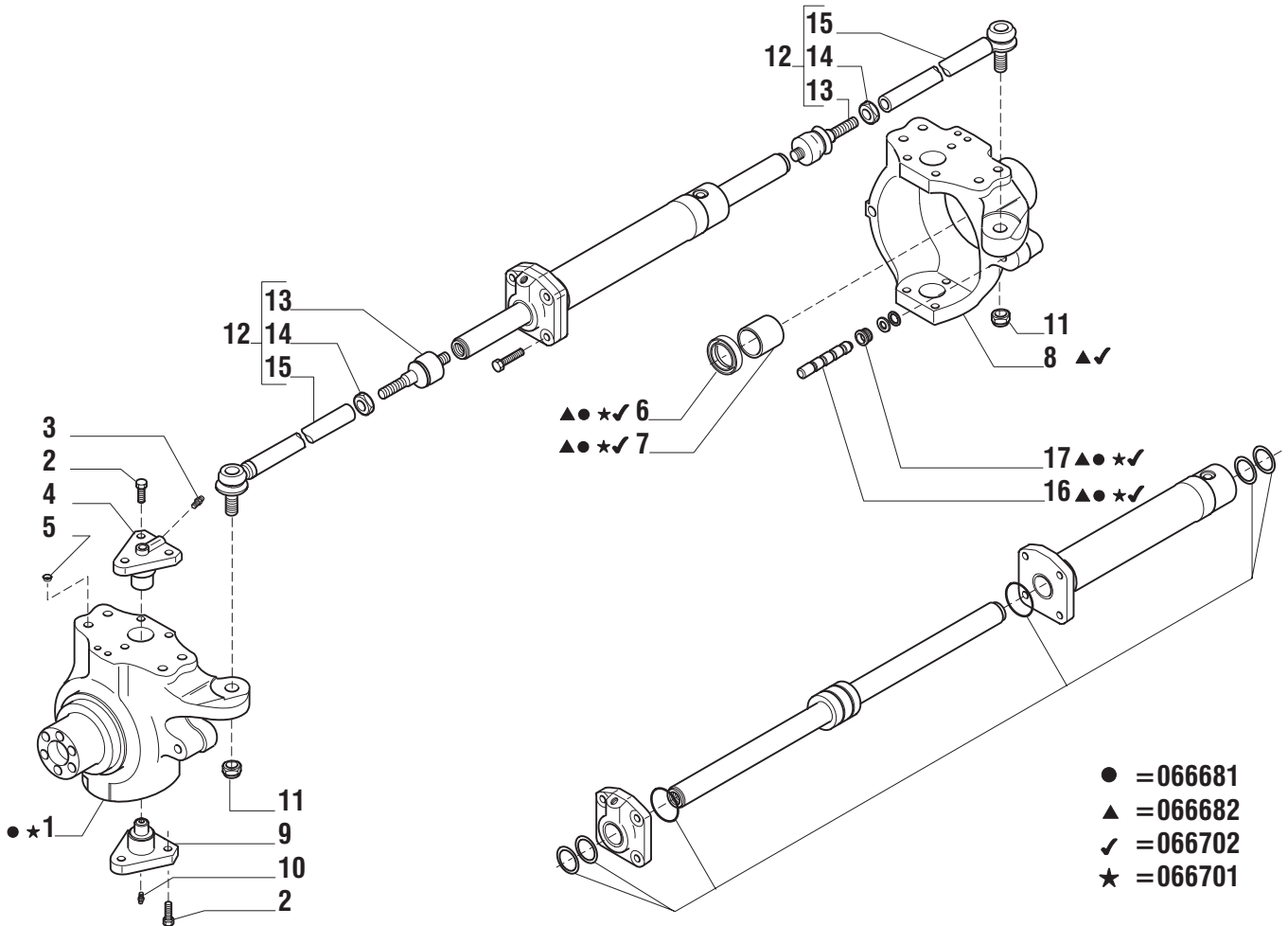
Mozzo ruota e riduzione epicicloidale
Wheel hub and epicycloidal reduction gears
Moyeu de roue et réduction épicycloidal
Radnabe und Planetengetriebe

Sommario kit
Kit summary
Sommaire kit
Ersatzteil-Sets

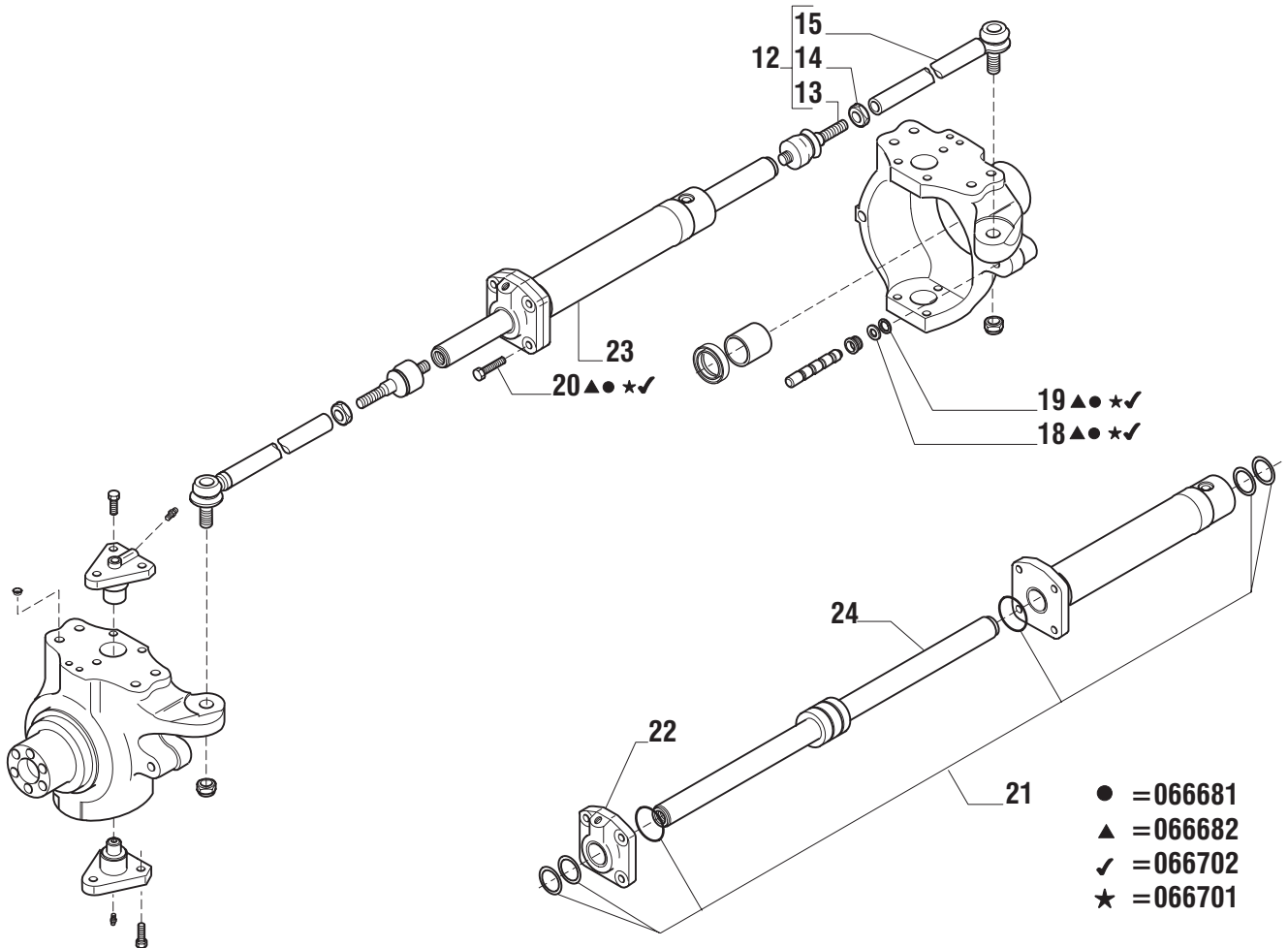
**Il presente catalogo è valido a partire dal N° di matricola 101.
This catalogue is valid from serial number 101.
Ce catalogue est valable à commencer du numéro 101.
Der vorliegende katalog ist gültig ab Serienmr. 101.**



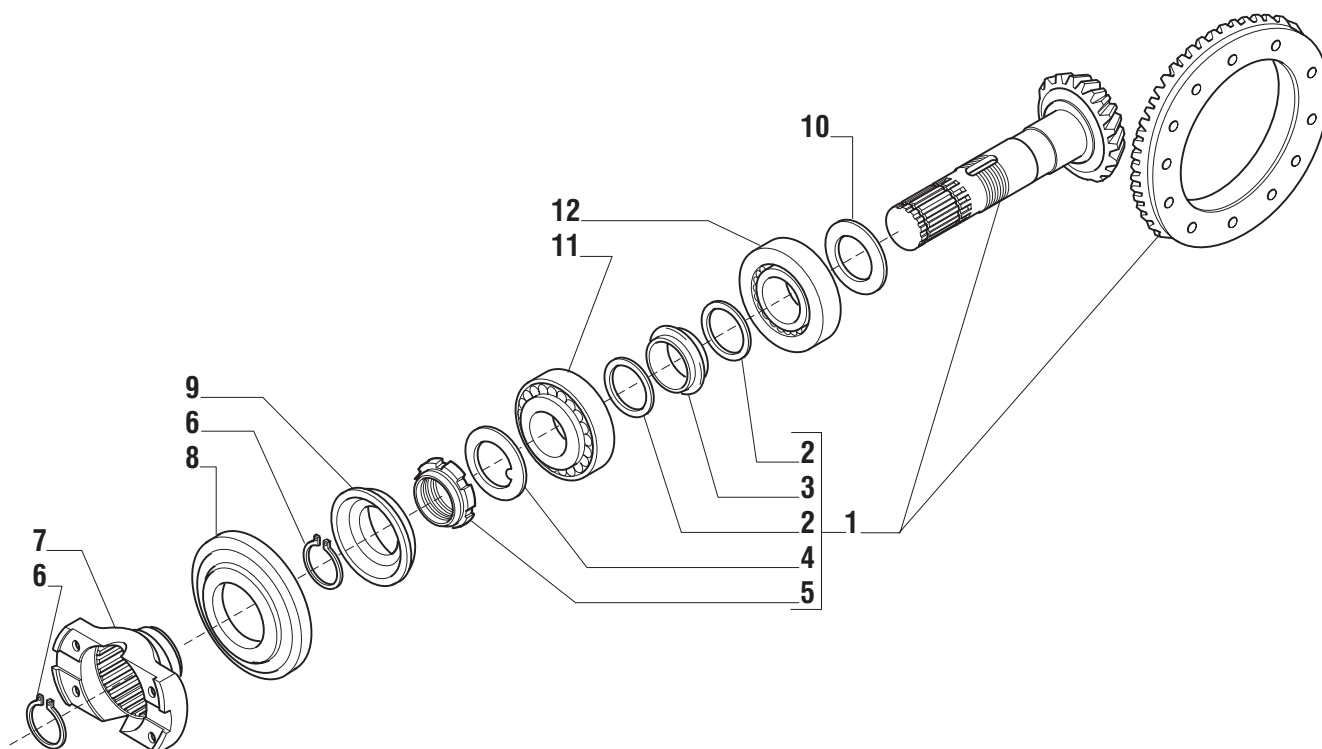
Pos.	Ref.	Q.ty	Descrizione	Description	Kit	From S/N	To S/N	Note
1	104988	1	Sfiato M10x1	Breather M10x1				
2	127243	1	Supporto sfiato	Breather support				
3	132728	1	Trave	Axle housing				
4	120717	2	Anello di tenuta	Seal ring				
5	126610	2	Boccola	Bush				
6	024210	1	Ingrassatore M6x1	Greaser nipple M6x1				
7	128633	2	Molla tazza	Belleville washer				
8	133148	2	Boccola	Bush				
9	116962	2	Bronzina	Bush				
10	135818	2	Anello di tenuta	Oil seal				
11	123726	2	Rotula sferica	Spherical bearing				
12	128630	2	Molla tazza	Belleville washer				
13	136025	1	Supporto differenziale	Differential support				
14	126022	4	Vite M14x2x75	Bolt M14x2x75				
15	072235	4	Bussola centraggio	Centering bush				
16	128050	2	Tappo olio M.24	Drain plug M.24				
17	087660	2	Spina D.15x35	Pin D.15x35				
18	125827	10	Vite M12x1.75x33	Bolt M12x1.75x33				
19	130532	1	Coperchio sfiato	Breather cover				



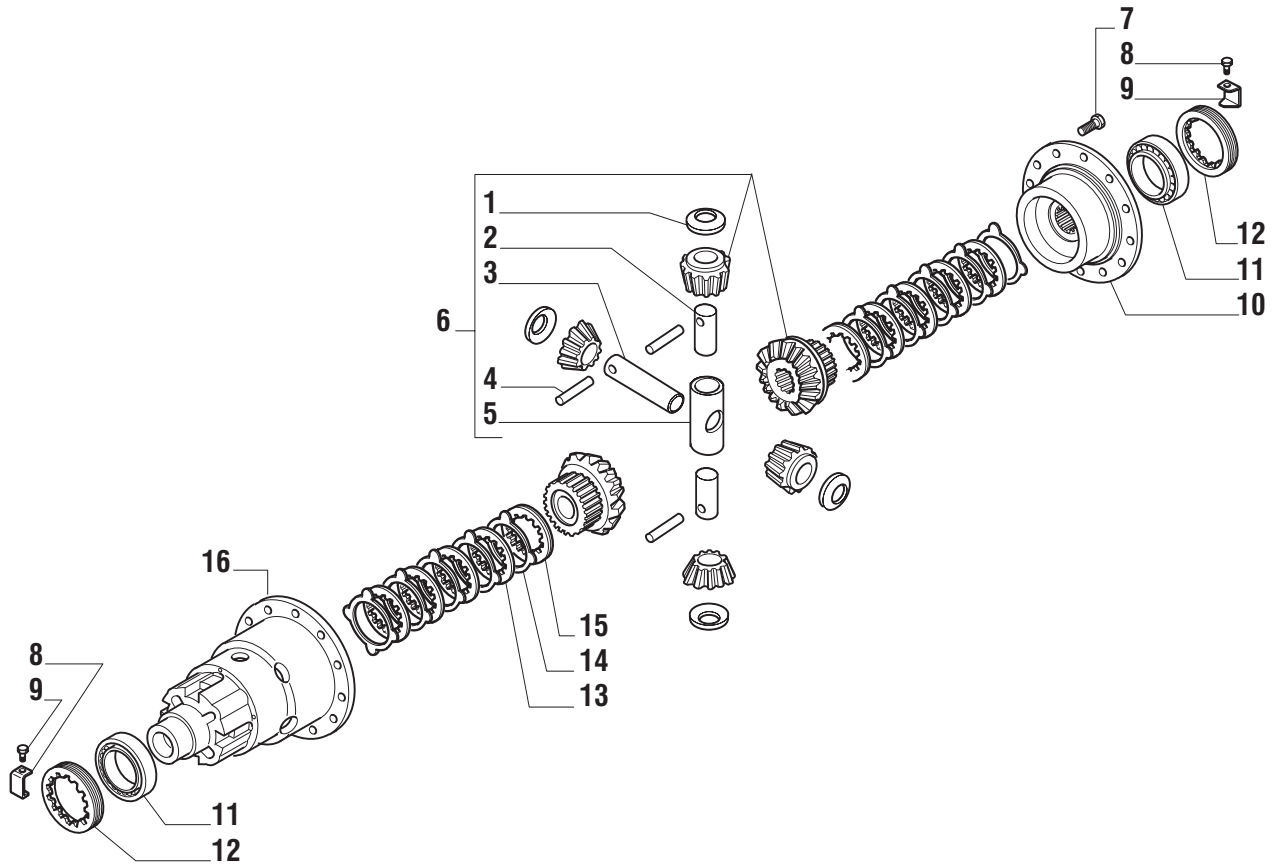
Pos.	Ref.	Q.ty	Descrizione	Description	Kit	From S/N	To S/N	Note
1	132729	1	Calotta SX.	Swivel housing L.H.	066701 066681			
2	126922	12	Vite M14x2x35 (Atbl.)	Bolt M14x2x35 (Self lock.)				
3	024210	2	Ingrassatore M6x1	Greaser nipple M6x1				
4	133084	2	Perno snodo calotta	King pin				
5	030755	8	Tappo D14.5	Plug D14.5				
6	132741	2	Anello tenuta 48x75x14x17	Oil seal 48x75x14x17	066682 066681 066701 066702			
7	125390	2	Bronzina	Bush	066682 066681 066701 066702			
8	132730	1	Calotta DX	Swivel housing R.H.	066682 066702			
9	128881	2	Perno snodo calotta	King pin				
10	024211	2	Ingrassatore M6x1-45°	Greaser nipple M6x1-45°				
11	022431	2	Dado M20x1.5 (Atbl.)	Nut M20x1.5 (Self lock.)				
12	132751	2	Asta guida	Steering arm Assy				
13	350400	2	Snodo sferico	Ball joint				
14	070787	2	Dado M24x1.5	Nut M24x1.5				
15	351144	2	Tirante	Steering arm				
16	132783	2	Perno	Shaft	066682 066681 066701 066702			
17	126532	2	Ghiera M32x2	Ring nut M32x2	066682 066681 066701 066702			



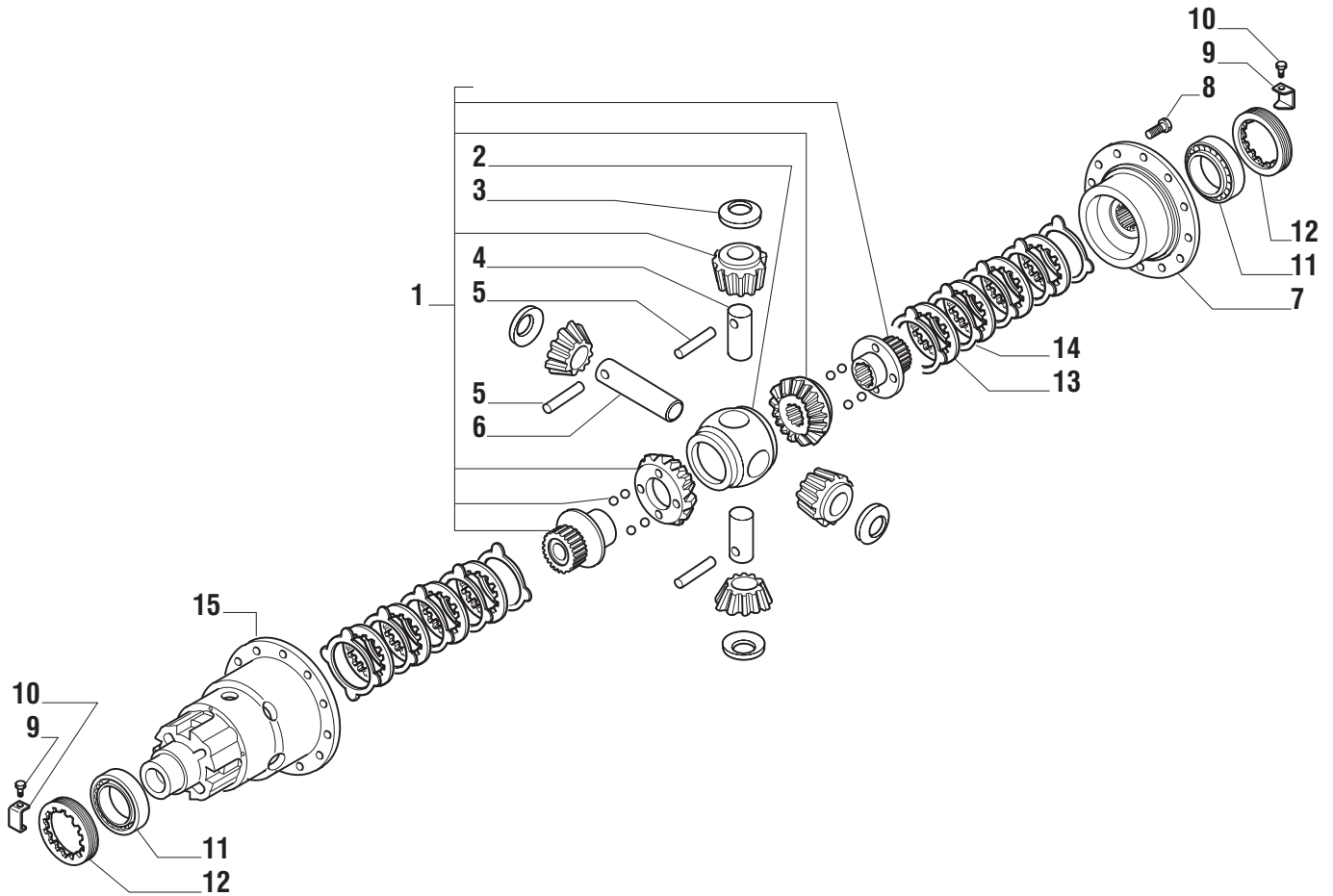
Pos.	Ref.	Q.ty	Descrizione	Description	Kit	From S/N	To S/N	Note
18	126534	2	Rondella	Washer	066682 066681 066701 066702			
19	126533	-	Spessore 29x20.5x1	Shim 29x20.5x1	066682 066681 066701 066702			
20	128534	4	Vite M12x45 (Atbl.)	Bolt M12x45 (Self lock.)	066682 066681 066701 066702			
21	049220	1	Kit guarnizioni	Oil seal kit				
22	049221	1	Testata martinetto	Cylinder head				
23	132735	1	Martinetto	Steering cylinder				
24	049223	1	Stelo	Rod				



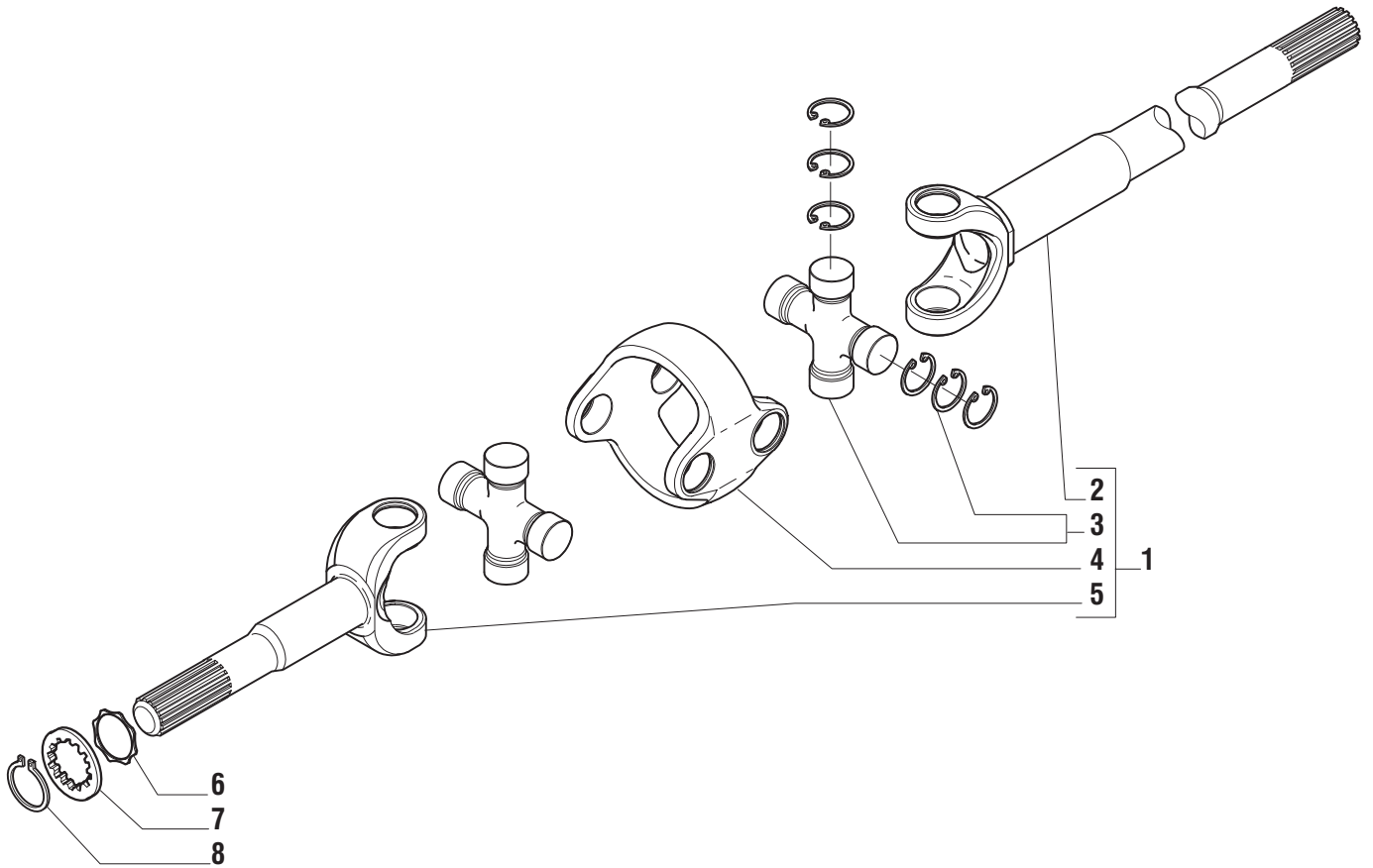
Pos.	Ref.	Q.ty	Descrizione	Description	Kit	From S/N	To S/N	Note
1	066315	1	Coppia conica Z=10/31	Bevel gear/Pinion set 10/31				For ref. 134854-134856
1	066316	1	Coppia conica Z=10/33	Bevel gear/Pinion set 10/33				For ref. 134855
2	125829	2	Rondella 50x40.5x2	Washer 50x40.5x2	066315			For ref. 134854-134856
3	126369	1	Distanziale elastico	Collapsible spacer	066316			For ref. 134855
4	113717	1	Rondella fermo ghiera	Lockwasher	066316			For ref. 134854-134856
5	115054	1	Ghiera M40x1,5	Ring nut M40x1,5	066316			For ref. 134855
6	024789	2	Anello seeger D.34	Snap ring D.34	066315			For ref. 134854-134856
7	134334	1	Flangia	Flange		101	109	For ref. 134854
						101	105	For ref. 134855
						101	113	For ref. 134856
7	137662	1	Flangia	Flange		110		For ref. 134854
						106		For ref. 134855
						114		For ref. 134856
8	123767	1	Coperchio	Cover				
9	134339	1	Anello di tenuta	Oil seal				
10	134186	-	Spessore 2.50mm	Shim 2.50mm				
10	134187	-	Spessore 2.60mm	Shim 2.60mm				
10	134188	-	Spessore 2.70mm	Shim 2.70mm				
10	134189	-	Spessore 2.80mm	Shim 2.80mm				
10	134190	-	Spessore 2.90mm	Shim 2.90mm				
10	134191	-	Spessore 3.00mm	Shim 3.00mm				
10	134192	-	Spessore 3.10mm	Shim 3.10mm				
10	134193	-	Spessore 3.20mm	Shim 3.20mm				
10	134194	-	Spessore 3.30mm	Shim 3.30mm				
10	134195	-	Spessore 3.40mm	Shim 3.40mm				
11	027350	1	Cuscinetto	Bearing				
12	027395	1	Cuscinetto	Bearing				



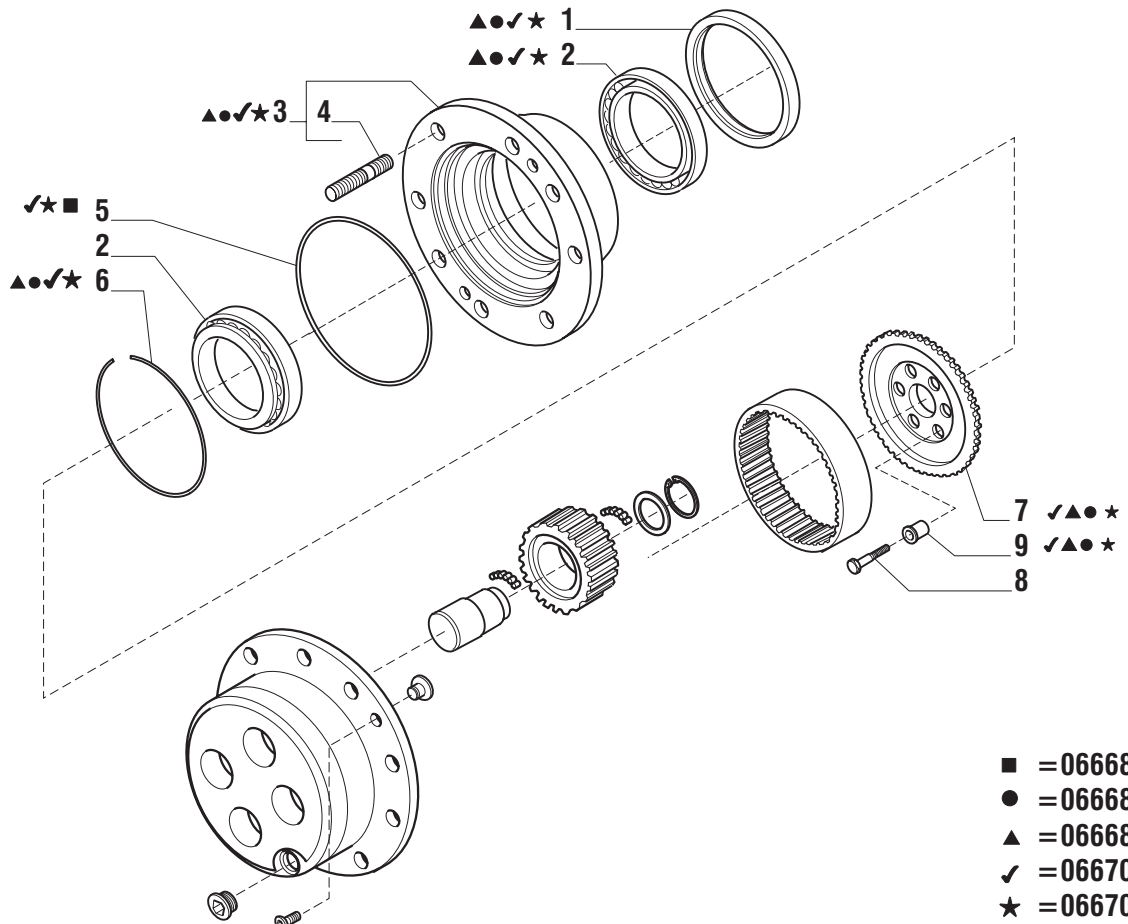
Pos.	Ref.	Q.ty	Descrizione	Description	Kit	From S/N	To S/N	Note
1	115730	4	Rondella spallamento	Thrust washer	066295			
2	133155	2	Perno	Shaft	066295			
3	115731	1	Perno	Shaft	066295			
4	070273	3	Spina D7x65	Pin D7x65	066295			
5	130156	1	Crocera	Spider		101	148	For ref. 134854
5	137537	1	Crocera	Spider	066295	101	141	For ref. 134855
5	137537	1	Crocera	Spider	066295	149		For ref. 134854
5	137537	1	Crocera	Spider	066295	142		For ref. 134855
6	066295	1	Kit ingranag. differenziale	Differential kit				
7	127921	12	Vite M10x30 (Atbl.)	Bolt M10x30 (Self lock.)				
8	136024	2	Fermo ghiera	Locking plate				
9	128440	2	Vite M6x10 (Atbl.)	Screw M6x10 (Self lock.)				
10	133151	1	Coperchio	Cover				
11	027256	2	Cuscinetto	Bearing				
12	107400	2	Ghiera	Ring nut				
13	113879	8	Disco	Plate				
14	113880	10	Controdisco	Drive-plate				
15	113883	2	Disco	Plate				
16	133150	1	Scatola differenziale	Differential housing				



Pos.	Ref.	Q.ty	Descrizione	Description	Kit	From S/N	To S/N	Note
1	066318	1	Kit ingranag. differenziale	Differential kit				
2	134001	1	Crocera	Spider	066318			
3	115730	4	Rondella spallamento	Thrust washer	066318			
4	133155	2	Perno	Shaft	066318			
5	070273	3	Spina	Pin	066318			
6	115731	1	Perno	Shaft	066318			
7	133151	1	Coperchio diff.	Cover				
8	127921	12	Vite M10x30 (Atbl.)	Bolt M10x30 (Self lock.)				
9	136024	2	Fermo ghiera	Locking plate				
10	128440	2	Vite M6x10 (Atbl.)	Screw M6x10 (Self lock.)				
11	027256	2	Cuscinetto	Bearing				
12	107400	2	Ghiera	Ring nut				
13	113879	8	Disco	Plate				
14	113880	10	Controdisco	Drive plate				
15	133150	1	Scatola diff.	Body				

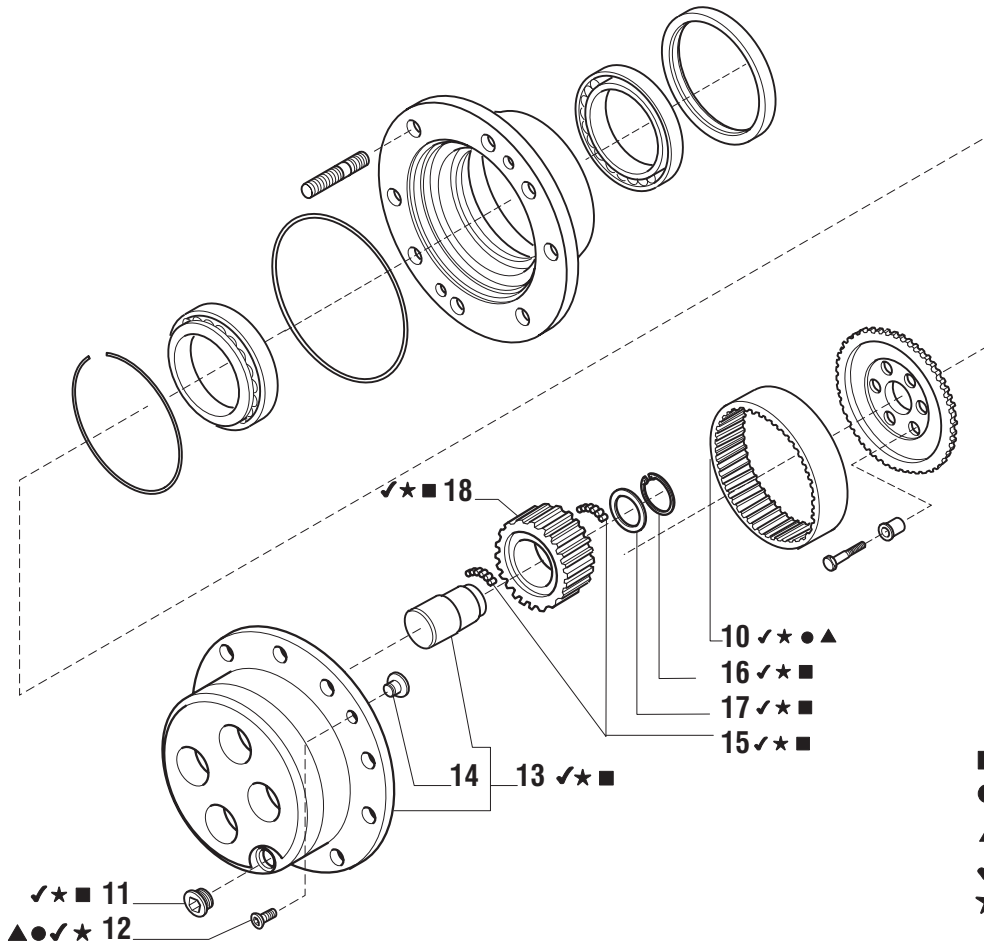


Pos.	Ref.	Q.ty	Descrizione	Description	Kit	From S/N	To S/N	Note
1	132734	2	Doppio giunto	Drive shafts		101		
1	138514	2	Doppio giunto	Drive shafts				
2	046293	2	Semiassse (Lato diff.)	Half-shaft (Diff.side)				
3	046297	4	Crocera	Spider				
4	046279	2	Corpo centrale	Central body				
5	046244	2	Semiassse (Lato ruota)	Half-shaft (Wheel side)				
6	132165	2	Rondella rasamento	Thrust washer				
7	127129	2	Rondella 52x44.6x2.5	Washer 52x44.6x2.5				
8	024800	2	Anello seeger D.45	Snap ring D.45				
8	024799	2	Anello seeger D.45	Snap ring D.45		101		



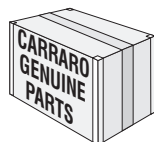
- = 066683
- = 066681
- ▲ = 066682
- ✓ = 066702
- ★ = 066701

Pos.	Ref.	Q.ty	Descrizione	Description	Kit	From S/N	To S/N	Note
1	133267	2	Tenuta cassetto	Cassette seal	066682 066681 066701 066702			
2	118370	4	Cuscinetto	Bearing	066682 066681 066701 066702			
3	066313	2	Kit mozzo ruota	Wheel hub assy	066682 066681 066701 066702			
4	126710	16	Prigioniero	Stud	066313			
5	028603	2	Anello OR	O.ring	066701 066702 066683			
6	125344	2	Anello	Ring	066682 066681 066702 066701			
7	134298	2	Mozzo fermo corona	Wheel carrier	066702 066682 066681 066701			
8	128534	16	Vite M12x45	Bolt M12x45				
9	131821	16	Bussola di centraggio	Centering bush	066702 066682 066681 066701			



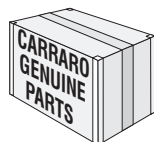
- = 066683
- = 066681
- ▲ = 066682
- ✓ = 066702
- ★ = 066701

Pos.	Ref.	Q.ty	Descrizione	Description	Kit	From S/N	To S/N	Note
10	134299	2	Corona epic. Z=77	Crown gear Z=77	066702 066682 066681 066701			
11	125280	2	Tappo olio M30x2	Drain plug M30x2	066702 066701 066683			
12	020490	4	Vite M8x20	Screw M8x20	066682 066681 066702 066701			
13	066287	2	Kit treno portasatelliti	Planetary carrier assy	066702 066701 066683			
14	115682	2	Pattino arresto semiasse	Pad	066287			
15	028370	44.8	Rullini (a decine)	Needle bearing (By tens)	066702 066701 066683			
16	024793	8	Anello seeger D.38	Snap ring	066702 066701 066683			
17	135366	8	Ralla 45x38.1x2.4	Thrust washer 45x38.1x2.4	066702 066701 066683			
18	135947	8	Ingranaggio Z=23	Planetary gear Z=23	066702 066701 066683			



Kit ref.	Ref.	Descrizione	Description	Q.ty	Note
066315	-	Kit coppia conica	Bevel gear/pinion set	-	For ref. 134854-134856
-	-	Coppia conica Z=10/31	Bevel gear/pinion Z=10/31	1	
-	125369	Distanziale elastico	Collapsible spacer	1	
-	126829	Rondella 50x40.5x2	Washer 50x40.5x2	2	
-	113717	Rondella fermo ghiera	Lockwasher	1	
-	115054	Ghiera M40x1.5	Ring nut M40x1.5	1	
066316	-	Kit coppia conica	Bevelgear/pinion set	-	For ref. 134855
-	-	Coppia conica Z=10/33	Bevel gear/pinion Z=10/33	1	
-	125369	Distanziale elastico	Collapsible spacer	1	
-	126829	Rondella 50x40.5x2	Washer 50x40.5x2	2	
-	113717	Rondella fermo ghiera	Lockwasher	1	
-	115054	Ghiera M40x1.5	Ring nut M40x1.5	1	
066295	-	Kit ingranaggeria diff.	Differential kit	-	For ref.134854-134855
-	115730	Rondella spallamento	Thrust washer	4	
-	133155	Perno	Shaft	2	
-	115731	Perno	Shaft	1	
-	070273	Spina D7x65	Pin D.7x65	3	
-	137537	Crocera	Spider	1	
-	-	Ingranaggio Z=11	Gear Z=11	4	
-	-	Ingranaggio Z=16	Gear Z=16	2	
066318	-	Kit ingranaggeria diff.	Differential kit	-	For axle ref. 134856
-	115730	Rondella spallamento	Thrust washer	4	
-	133155	Perno	Shaft	2	
-	115731	Perno	Shaft	1	
-	070273	Spina D7x65	Pin D7x65	3	
-	134001	Crocera	Spider	1	
-	-	Sfera	Ball	8	
-	-	Ingranaggio	Gear	4	
-	-	Manicotto DX	Sleeve RH	1	
-	-	Manicotto SX	Sleeve LH	1	
-	-	Ingranaggio DX	Gear RH	1	
-	-	Ingranaggio SX	Gear LH	1	
066313	-	Kit mozzo ruota	Wheel hub assy	-	
-	126710	Prigioniero	Stud	8	
-	-	Mozzo ruota	Whel hub	1	
066287	-	Kit treno portasatelliti	Planetary carrier assy	-	
-	115682	Pattino arresto	Pad	1	

Manuale di riparazione / Repair manual / Manual de reparation / Ersatzlehrbuch - COD:



Kit ref.	Ref.	Descrizione	Description	Q.ty	Note
066681	-	Kit Calotta SX	LH Swivel housing kit	-	
-	020490	Vite M8 x 20	Bolt M8 x20	2	
-	066313	Kit mozzo ruota	Wheel hub assy	1	
-	118370	Cuscinetto	Bearing	2	
-	125344	Anello	Ring	1	
-	125390	Bronzina	Bush	1	
-	126532	Ghiera	Ring nut	1	
-	126533	Spessore	Shim	4	
-	126534	Rondella	Washer	1	
-	128534	Vite M12 x 45	Bolt M12 x 45	8	
-	131281	Bussola	Bush	8	
-	132729	Calotta Sx	LH Swivel housing	1	
-	132741	Anello di tenuta	Oil seal	1	
-	132783	Perno	Shaft	1	
-	133267	Tenuta a cassetto	Oil seal	1	
-	134298	Mozzo fermo corona	Wheel carrierr	1	
-	134299	Corona epic. Z=77	Crown gear Z=77	1	
066682	-	Kit Calotta DX	RH Swivel housing kit	-	
-	020490	Vite M8 x 20	Bolt M8 x20	2	
-	066313	Kit mozzo ruota	Wheel hub assy	1	
-	118370	Cuscinetto	Bearing	2	
-	125344	Anello	Ring	1	
-	125390	Bronzina	Bush	1	
-	126532	Ghiera	Ring nut	1	
-	126533	Spessore	Shim	4	
-	126534	Rondella	Washer	1	
-	128534	Vite M12 x 45	Bolt M12 x 45	8	
-	131281	Bussola	Bush	8	
-	132730	Calotta DX	RH Swivel housing	1	
-	132741	Anello di tenuta	Oil seal	1	
-	132783	Perno	Shaft	1	
-	133267	Tenuta a cassetto	Oil seal	1	
-	134298	Mozzo fermo corona	Wheel carrierr	1	
-	134299	Corona epic. Z=77	Crown gear Z=77	1	
066683	-	Kit mozzo fermo corona	Wheel carrier kit	-	
-	024793	Anello seeger	Snap ring	4	
-	028370	Rullini	Needle bearing	22,4	
-	028603	O-ring	O-ring	1	
-	066287	Kit treno portasatelliti	Planetary carrier assy	1	
-	125280	Tappo	Plug	1	
-	135947	Ingranaggio Z=23	Gear Z=23	4	
-	135366	Ralla	Thrust washer	4	