

MARCH '97

26.21-FR CARRARO AXLES REF. 135037-135038
For "MATBRO"
Spare Parts List

JULY '95

26.21-FR CARRARO AXLES REF :135037-135038
For "MATBRO"
Spare Parts List

26.21-FR CARRARO AXLES REF. 135037-135038

For "MATBRO"

SPARE PARTS LIST

INDEX OF PAGES

- 1.0 Axle housing (For axle ref. 135037)
- 2.0 Axle housing (For axle ref. 135038)
- 3.1 Swivel housing and steering cylinder
- 4.1 Bevel gear/Pinion set
- 5.0 Differential
- 6.0 Drive shafts
- 7.1 Wheel hub
- 8.0 Epyclic reduction gears

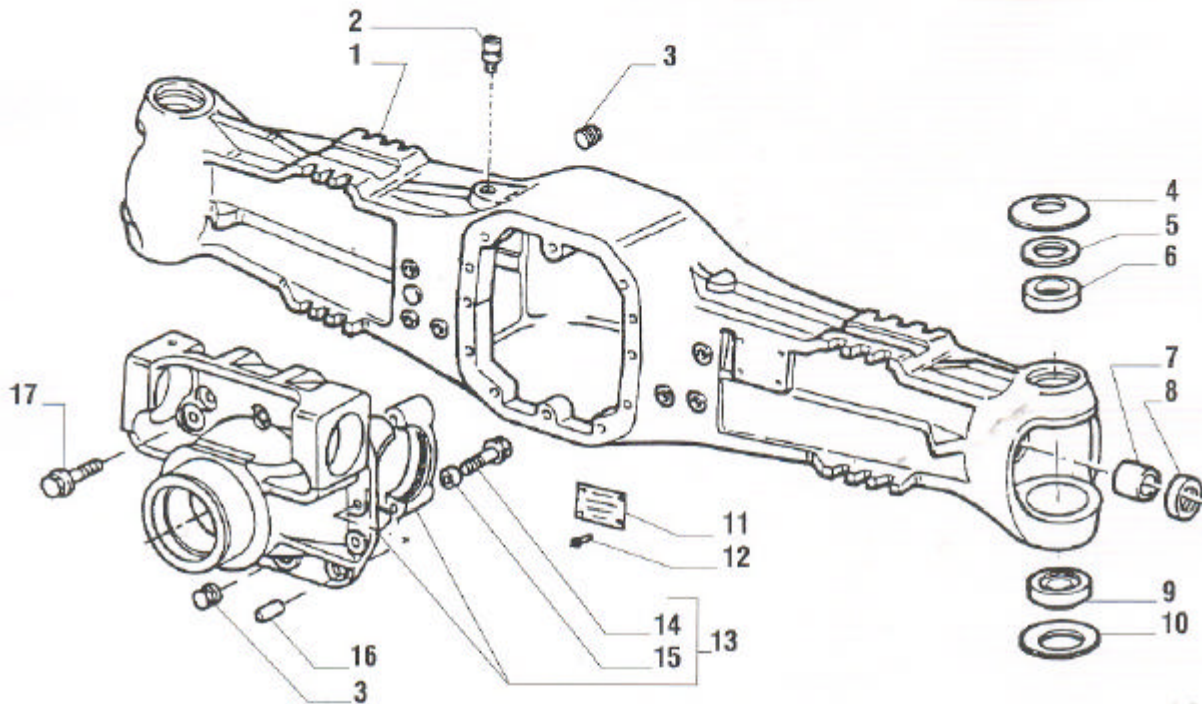
26.21-FR CARRARO AXLES REF:135037-135038

For "MATBRO"

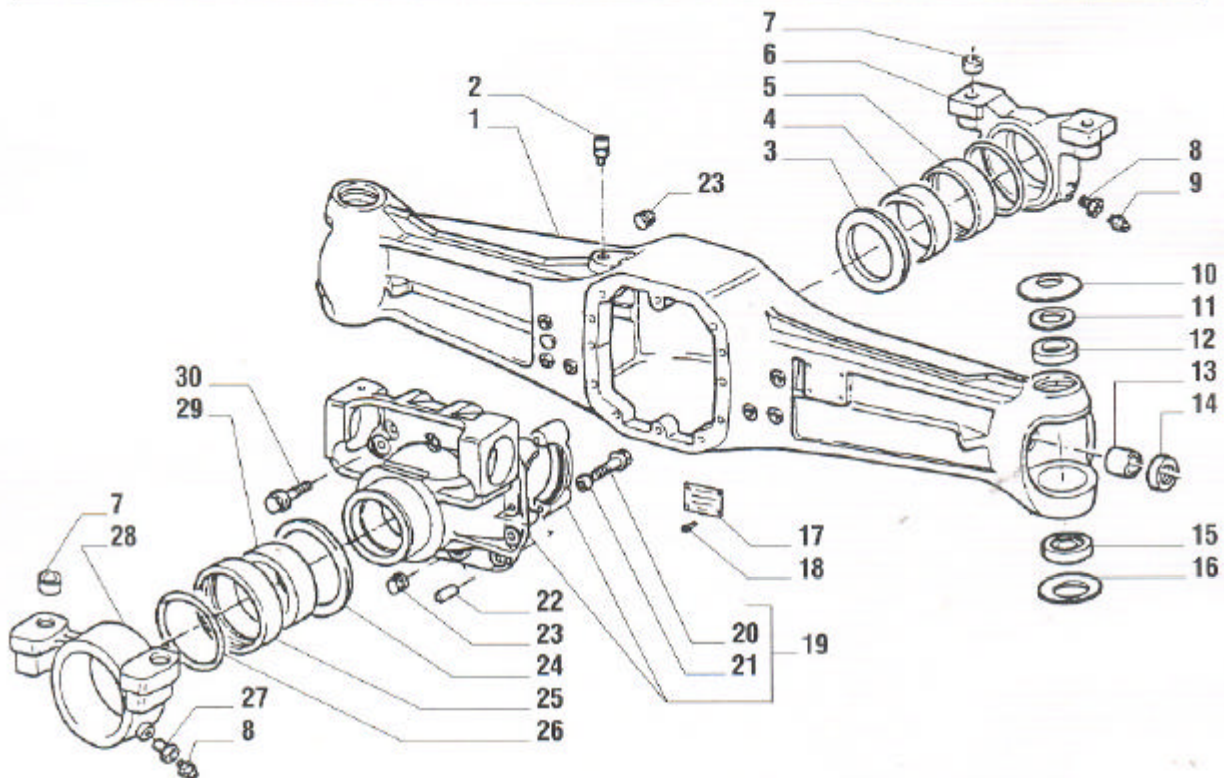
SPARE PARTS LIST

INDEX OF PAGES

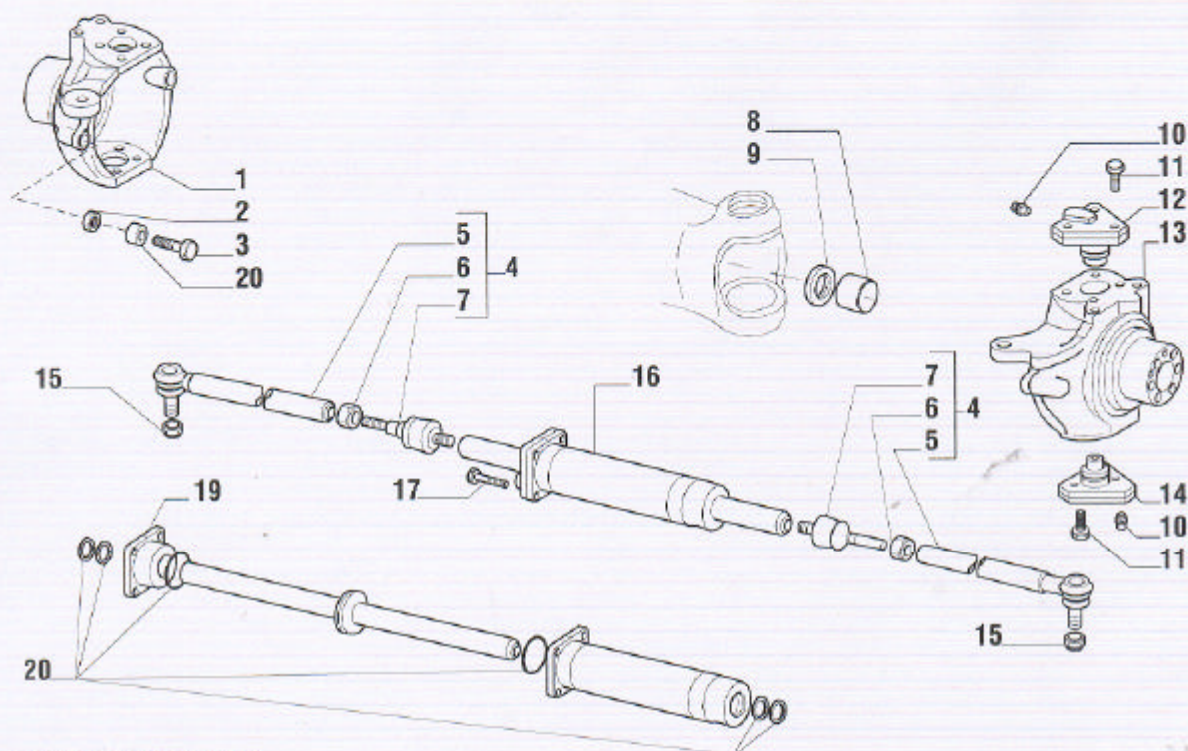
- 1.0 Axle housing (For axle ref. 135037)
- 2.0 Axle housing (For axle ref. 135038)
- 3.0 Swivel housing and steering cylinder
- 4.0 Bevel gear/Pinion set
- 5.0 Differential
- 6.0 Drive shafts
- 7.0 Wheel hub
- 8.0 Epicyclic reduction gears



Pos.	Ref.	Q.	Description	Pos.	Ref.	Q.	Description
1	129542	1	Axle housing				
2	104988	1	Breather M10x1				
3	092270	2	Oil plug M22x1.5				
4	128633	2	Belleville washer				
5	131265	2	Spacer washer				
6	123641	2	Bush				
7	118547	2	Bush				
8	116723	2	Oil seal 42x62x14				
9	123726	2	Spherical bearing				
10	128630	2	Belleville washer				
11	123147	1	Plate				
12	023827	4	Rivet D3.2				
13	128255	1	Differential support				
14	126022	4	Bolt 12.9 M14x2x75				
15	072235	4	Centering bush				
16	087660	2	Pin D.15x35				
17	125827	10	Bolt 12.9 M12x1.75x33				

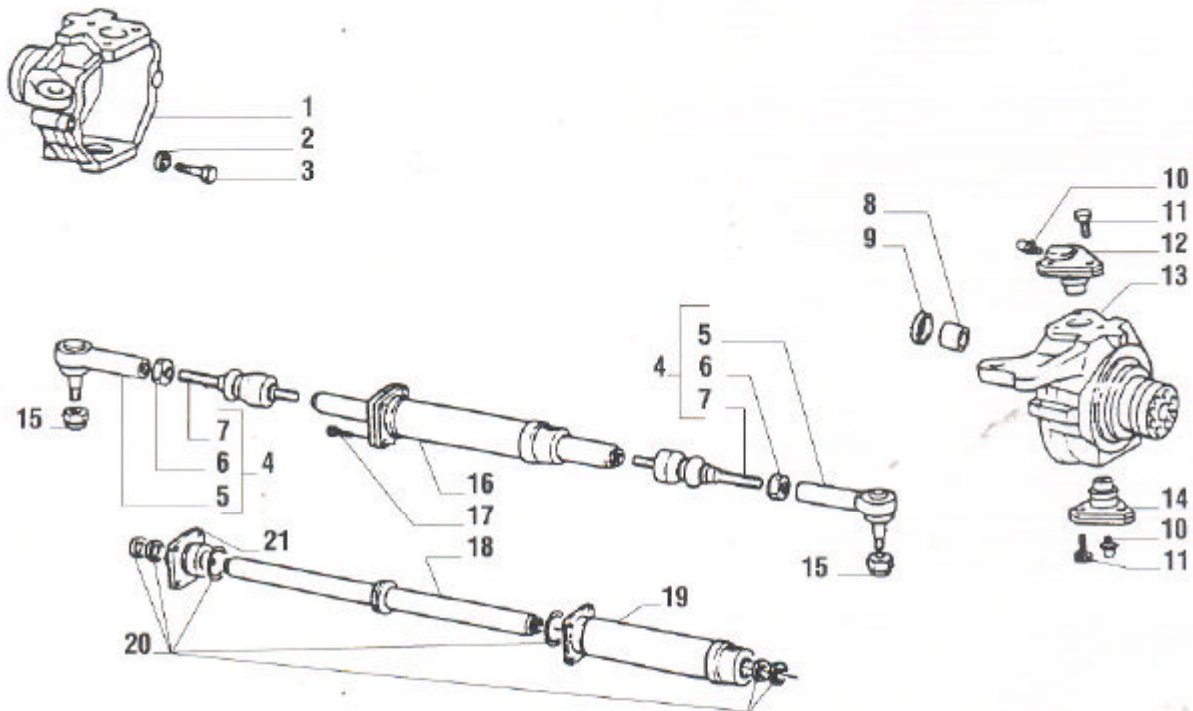


Pos.	Ref.	Q.	Description	Pos.	Ref.	Q.	Description
1	129862	1	Axle housing	28	125875	1	Rear support
2	104988	1	Breather M10x1	29	124592	1	Bush
3	115776	1	Thrust washer	30	125827	10	Bolt 12.9 M12x1.75x33
4	101565	1	Inner bushing				
5	101575	1	Outer bushing				
6	119372	1	Front support				
7	116529	4	Centering bush				
8	120780	1	Bolt				
9	024258	2	Greaser nipple M8x1				
10	128633	2	Belleville washer				
11	131265	2	Spacer washer				
12	123641	2	Bush				
13	118547	2	Bush				
14	116723	2	Oil seal 42x62x14				
15	123726	2	Spherical bearing				
16	128630	2	Belleville washer				
17	123147	1	Plate				
18	023827	4	Rivet D3.2				
19	128255	1	Differential support				
20	126022	4	Bolt 12.9 M14x2x75				
21	072235	4	Centering bush				
22	087660	2	Pin D. 15x35				
23	092270	2	Oil plug M22x1.5				
24	124591	1	Thrust washer				
25	123475	1	Bush				
26	028498	1	O.ring				
27	116530	1	Bolt				

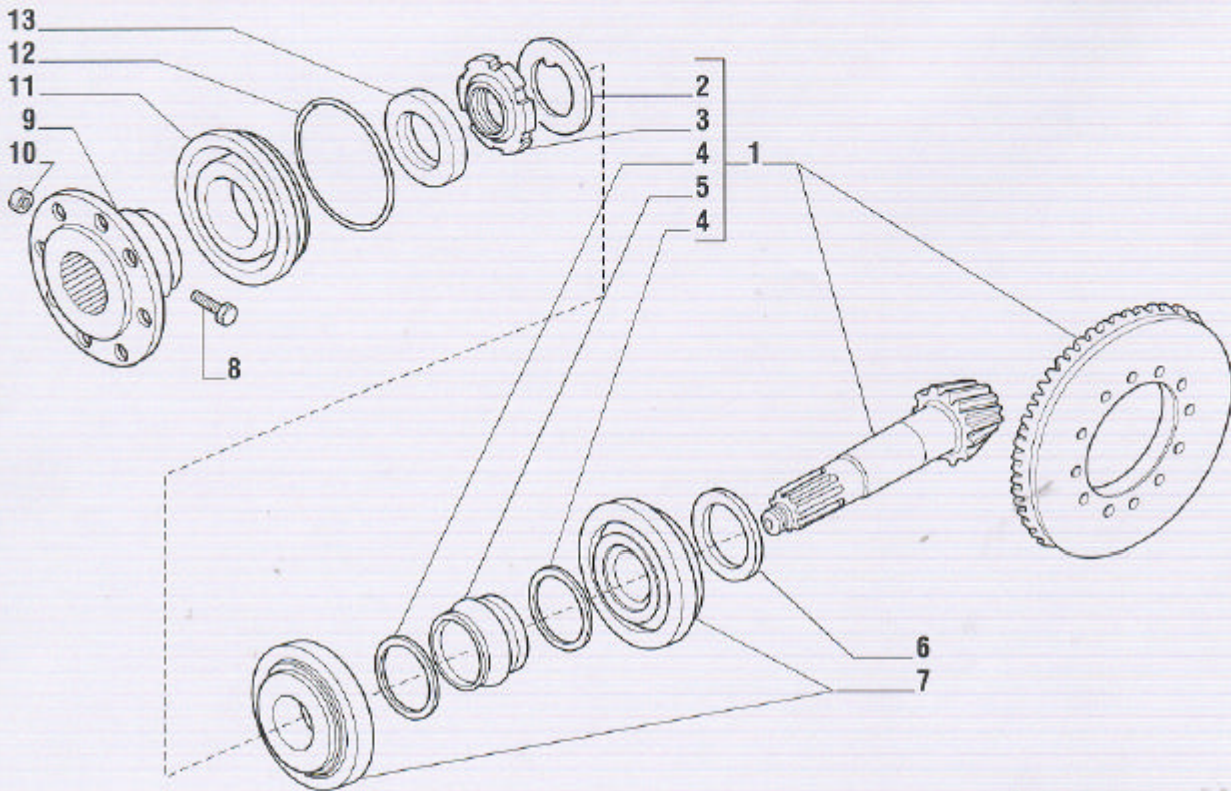


MOD. N. 6083-6119

Pos.	Ref.	Q.ty	Description	Pos.	Ref.	Q.ty	Description
1	125799	1	Swivel housing L.H.				
2	022131	4	Nut M14				
3	117357	4	Bolt M14x60				
4	122599	2	Steering arm assy				
5	048987	2	Steering arm				
6	070787	2	Nut M24x1,5				
7	049013	2	Ball joint				
8	109972	2	Bush				
9	116722	2	Oil seal 35x52x16				
10	024210	4	Greaser nipple M6x1				
11	126922	12	Bolt M14x2x35 (Self lock)				
12	128880	2	King pin				
13	125798	1	Swivel housing R.H.				
14	128881	2	King pin				
15	022431	2	Nut M20x1,5 (Self lock)				
16	137175	1	Steering cylinder				
17	128534	4	Bolt M12x45 (Self lock)				
18	049052	1	Oil seal kit				
19	049053	1	Cylinder head				
20	126003	2	Bush 25x14.5x15				



Pos.	Ref.	Q.	Description	Pos.	Ref.	Q.	Description
1	125799	1	Swivel housing L.H.				
2	022131	4	Nut M14				
3	117357	4	Bolt M14x60				
4	122599	2	Steering arm assy R.H.				
5	048987	2	Steering arm R.H.				
6	070787	2	Nut M24x1,5				
7	049013	2	Ball joint				
8	109972	2	Bush				
9	116722	2	Oil seal 35x52x16				
10	024210	4	Greaser nipple M6x1				
11	126922	12	Bolt 10.9 M14x2x35 (Self lock)				
12	128880	2	King pin				
13	125798	1	Swivel housing R.H.				
14	128881	2	King pin				
15	022431	2	Nut M20x1,5 (Self locking)				
16	128241	1	Steering cylinder				
17	128534	4	Bolt 10.9 M12x45 (Self locking)				
18	049144	1	Rod				
19	049143	1	Cylinder				
20	049141	1	Oil seal kit				
21	049142	1	Cylinder head				

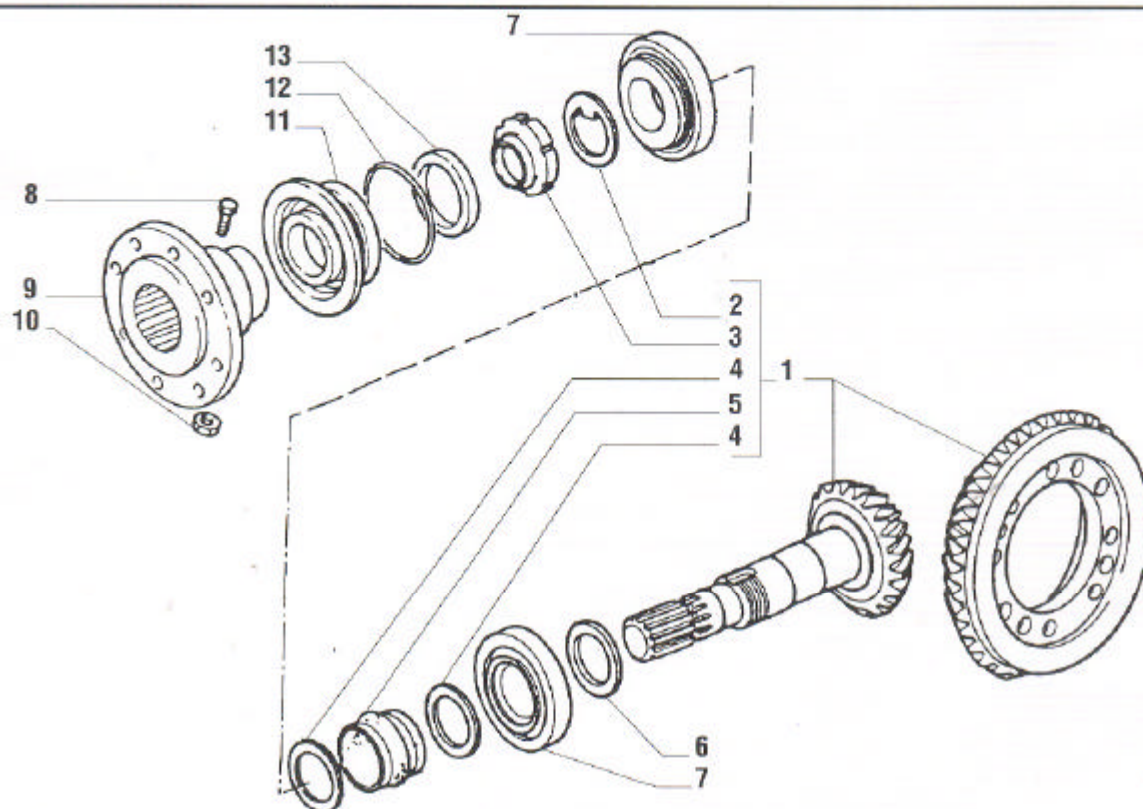


MOD. N. 5864-6189

Pos.	Ref.	Q.ty	Description	Pos.	Ref.	Q.ty	Description
1	065675	1	* Bevel gear/pinion set Z=10/32				
1	065760	1	** Bevel gear/pinion set Z=10/32				
2	113717	1	Lockwasher				
3	115054	1	Ring nut M40x1,5				
4	125829	2	Collapsible washer				
5	125806	1	Spacer				
6	132265	-	Shim 2.50mm				
6	132266	-	Shim 2.60mm				
6	132267	-	Shim 2.70mm				
6	132268	-	Shim 2.80mm				
6	132269	-	Shim 2.90mm				
6	132270	-	Shim 3.00mm				
6	132271	-	Shim 3.10mm				
6	132272	-	Shim 3.20mm				
6	132273	-	Shim 3.30mm				
6	132274	-	Shim 3.40mm				
7	027350	2	Bearing				
8	021105	2	Bolt M10x60				
9	117362	1	Flange				
10	022411	2	Nut M10x1.25 (Self lock.)				
11	129929	1	Cover				
12	028212	1	O.ring				
13	116722	1	Oil seal 35x52x16				

* Only for axle ref. 135037

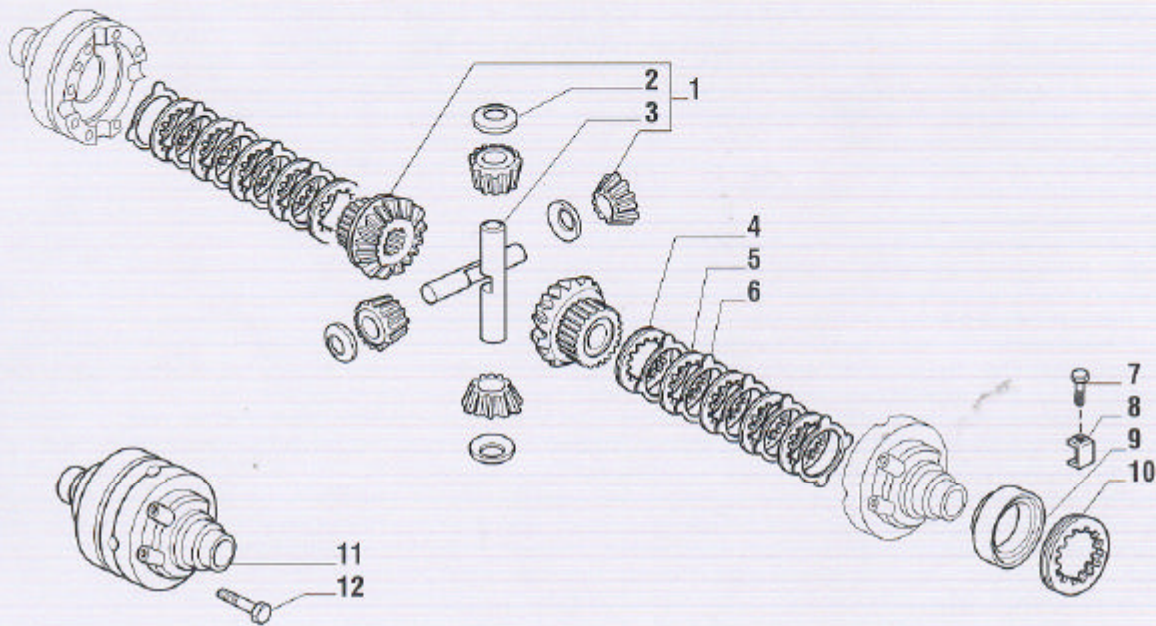
** Only for axle ref. 135038



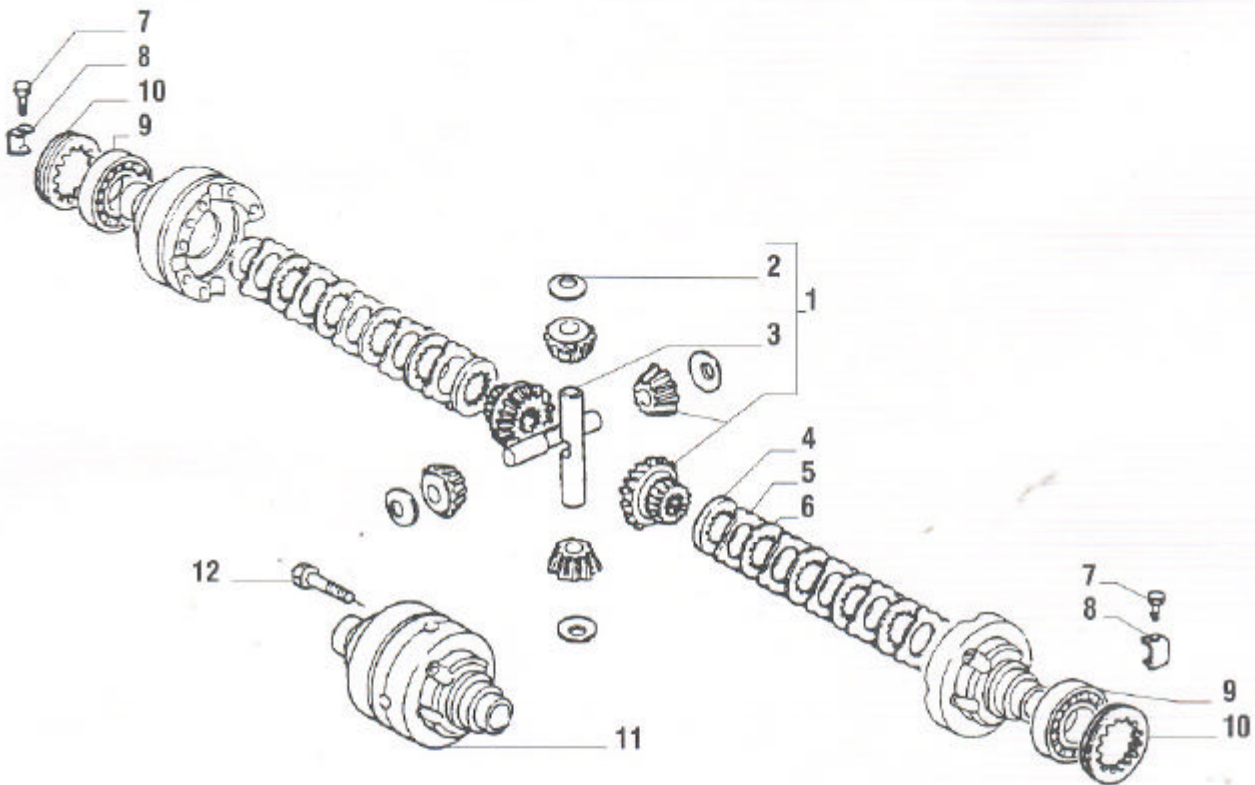
Pos.	Ref.	Q.	Description	Pos.	Ref.	Q.	Description
1	066036	1	* Bevel gear/pinion set Z=9/33				
1	066022	1	** Bevel gear/pinion set Z=9/33				
2	113717	1	Lockwasher				
3	115054	1	Ring nut M40x1,5				
4	125829	2	Collapsible washer				
5	125806	1	Spacer				
6	098239	-	Shim 3,00mm				
6	098240	-	Shim 3,10mm				
6	098241	-	Shim 3,20mm				
6	098242	-	Shim 3,30mm				
6	098243	-	Shim 3,40mm				
6	098244	-	Shim 2,90mm				
6	098424	-	Shim 2,80mm				
6	098425	-	Shim 2,70mm				
6	098426	-	Shim 2,60mm				
6	098427	-	Shim 2,50mm				
7	027350	2	Bearing 31308				
8	021105	2	Bolt M10x60				
9	117362	1	Flange				
10	022411	2	Nut R80 M10x1,25 (Self locking)				
11	129929	1	Cover				
12	028212	1	O.ring 2-152				
13	116722	1	Oil seal 35x52x16				

* Only for axle ref.135037

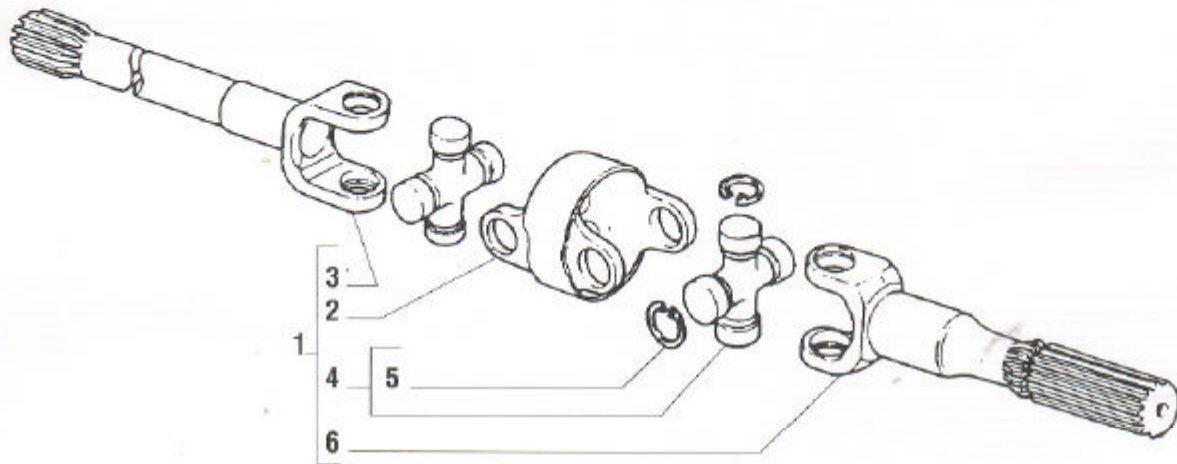
** Only for axle ref.135038



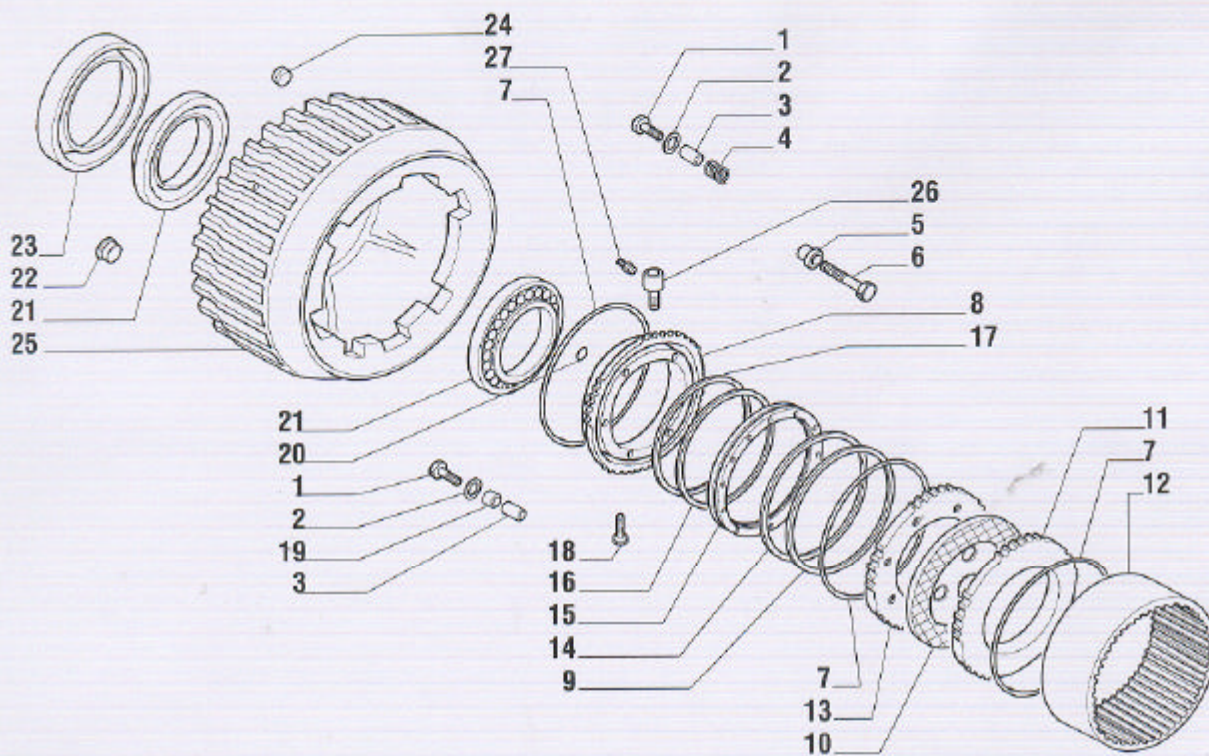
Pos.	Ref.	Q.ty	Description	Pos.	Ref.	Q.ty	Description
1	066145	1	Differential kit				
2	115730	4	Thrust washer				
3	116369	2	Shaft				
4	110642	2	Plate				
5	110643	10	Drive plate				
6	110644	8	Plate				
7	128440	2	Screw M6x10 (Self lock.)				
8	107778	2	Locking plate				
9	027309	2	Bearing				
10	107400	2	Ring nut				
11	127711	1	Differential housing				
12	125552	12	Bolt M10x1,5x75 (Self lock.)				



Pos.	Ref.	Q.	Description	Pos.	Ref.	Q.	Description
1	066180	1	Differential kit				
2	115730	4	Thrust washer				
3	116369	2	Shaft				
4	110642	2	Plate				
5	110643	10	Drive Plate				
6	110644	8	Plate				
7	128440	2	Screw M6x10 (Self locking)				
8	107778	2	Locking plate				
9	027309	2	Bearing 30210				
10	107400	2	Ring nut				
11	127711	1	Differential housing				
12	125552	12	Bolt 12.9 M10x1,5x75 (Self-locking)				

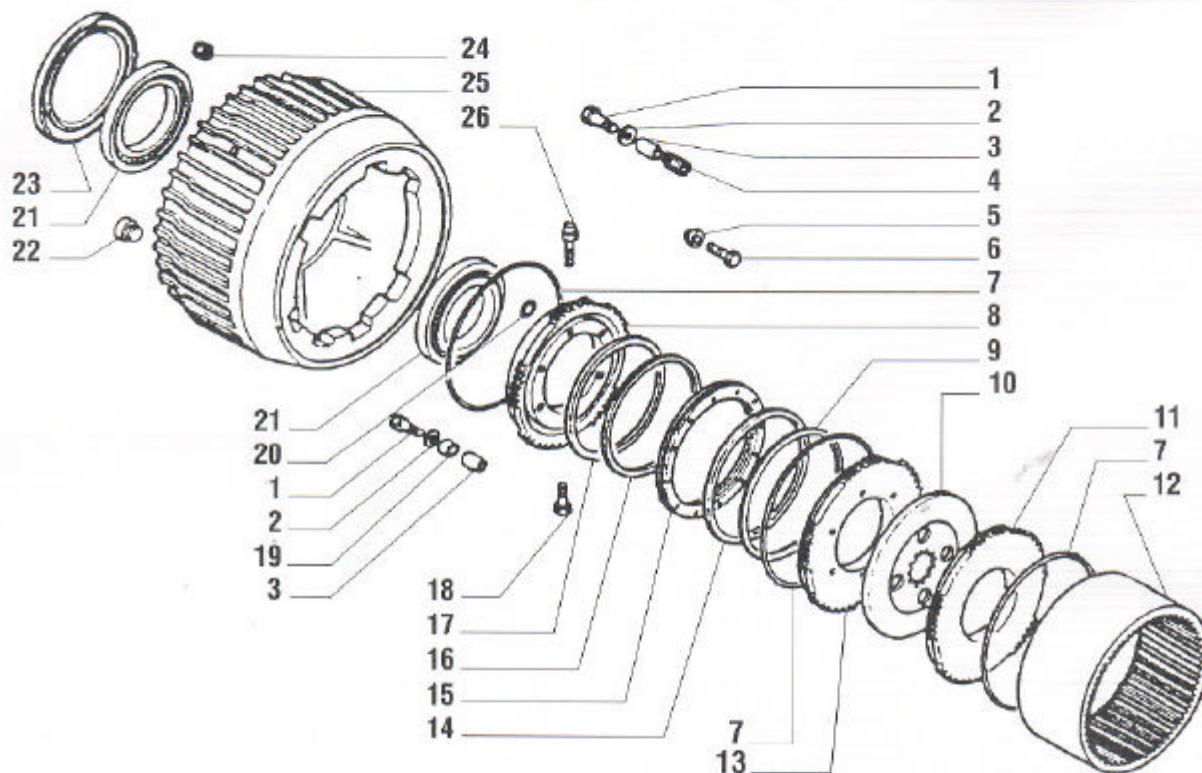


Pos.	Ref.	Q.	Description	Pos.	Ref.	Q.	Description
1	130612	2	Drive shaft				
2	040824	2	Central body				
3	040901	2	Half shaft (Differential side)				
4	040825	4	Spider				
5	040822	16	Snap ring				
6	040865	2	Half shaft (Wheel side)				

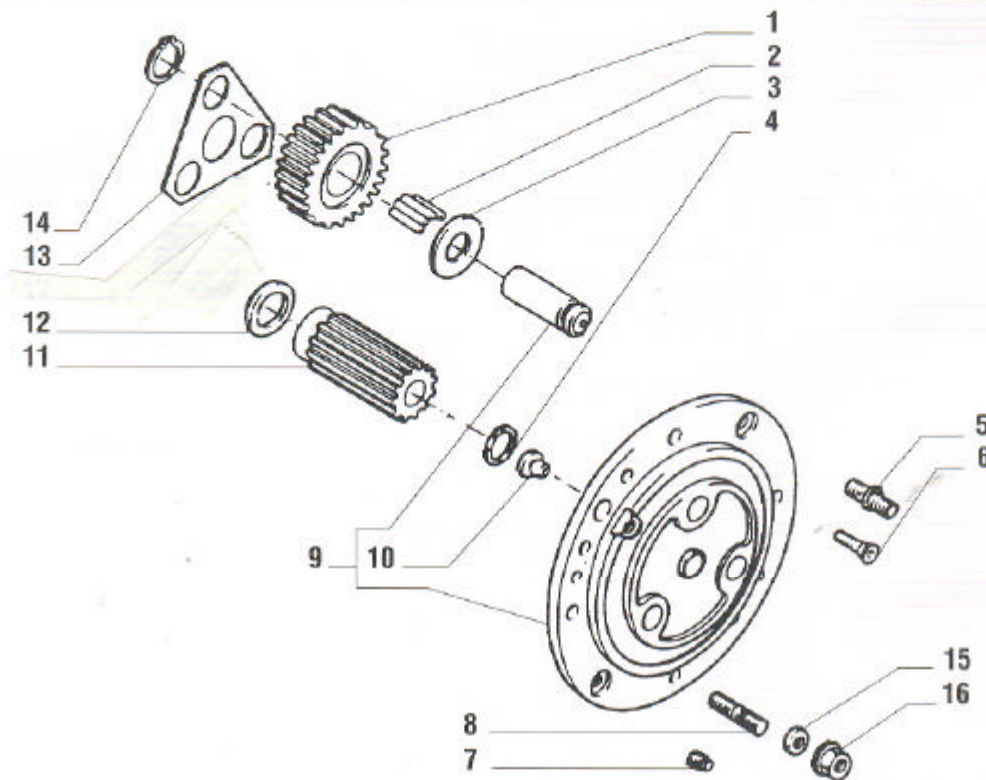


MOD. N. 5703

Pos.	Ref.	Q.ty	Description	Pos.	Ref.	Q.ty	Description
1	020754	12	Bolt M6x30				
2	126292	12	Washer D.6,2x17,5x2				
3	126286	12	Bush				
4	126297	6	Spring				
5	125189	2	Centering bush D.24				
5	125190	14	Centering bush D.20				
6	119906	16	Screw M14x1,5x65 (Self lock.)				
7	125555	6	Lockring				
8	125222	2	Wheel carrier R.H.				
8	125221	2	Wheel carrier L.H.				
9	124006	2	Antiextrusion ring				
10	121656	2	Brake disc				
11	123166	2	Reaction plate				
12	123150	2	Crown gear				
13	125219	2	Reaction plate				
14	121271	2	Ring				
15	124004	2	Brake piston				
16	124005	2	Antiextrusion ring				
17	123972	2	Quadring				
18	125728	2	Screw				
19	123622	6	Split pin D18x20				
20	028526	2	O.ring				
21	118370	4	Bearing				
22	125280	2	Oil plug				
23	047705	2	Cassette seal				
24	021565	2	Drain plug M.22x1,5				
25	121794	2	Wheel hub				
26	125743	2	Breather support				
27	116792	2	Breather M10x1				



Pos.	Ref.	Q.	Description	Pos.	Ref.	Q.	Description
1	020754	12	Bolt M6x30				
2	126292	12	Washer				
3	126286	12	Bush				
4	126297	6	Spring				
5	125189	2	Centering bush				
5	125190	14	Centering bush				
6	119906	16	Screw 10.9 M14x1,5x65 (Self lock.)				
7	125555	6	Lockring				
8	125222	2	Wheel carrier R.H.				
8	125221	2	Wheel carrier L.H.				
9	124006	2	Antiextrusion ring				
10	121656	2	Brake disc				
11	123166	2	Reaction plate				
12	123150	2	Crown gear				
13	125219	2	Reaction plate				
14	121271	2	Ring				
15	124004	2	Brake piston				
16	124005	2	Antiextrusion ring				
17	123972	2	Quadring 168,6x3,5				
18	125728	2	Screw				
19	123622	6	Split pin				
20	028526	2	O.ring2031				
21	118370	4	Bearing 37431A/37625				
22	125280	2	Oil plug				
23	047705	2	Cassette-seal				
24	021565	2	Drain plug M.22x1,5				
25	121794	2	Wheel hub				
26	121584	2	Breather plug				



Pos.	Ref.	Q.	Description	Pos.	Ref.	Q.	Description
1	130293	6	Sun gear				
2	028294	18	Needle bearing (by tens)				
3	115634	12	Thrust washer				
4	024784	2	Snap ring D.29				
5	120853	4	Stud with collar				
6	020510	4	Screw 10.9 M12x30				
7	092270	2	Oil plug M22x1,5				
8	106199	12	Stud				
9	066132	2	Planetary carrier assy				
10	115682	2	Thrust pin				
11	121626	2	Sleeve				
12	120079	2	Thrust washer				
13	116458	2	Thrust washer				
14	024789	6	Snap ring D.34				
15	119505	16	Washer				
16	115812	16	Nut				