



# **CARRARO**

**Catalogo Parti Di Ricambio**

**Spare Parts List**

**Catalogue Pieces De Rechange**

**Ersatzteilkatalog**

**ASSALE 26.18SP-LP**

**AXLE 26.18SP-LP**

**PONT 26.18SP-LP**

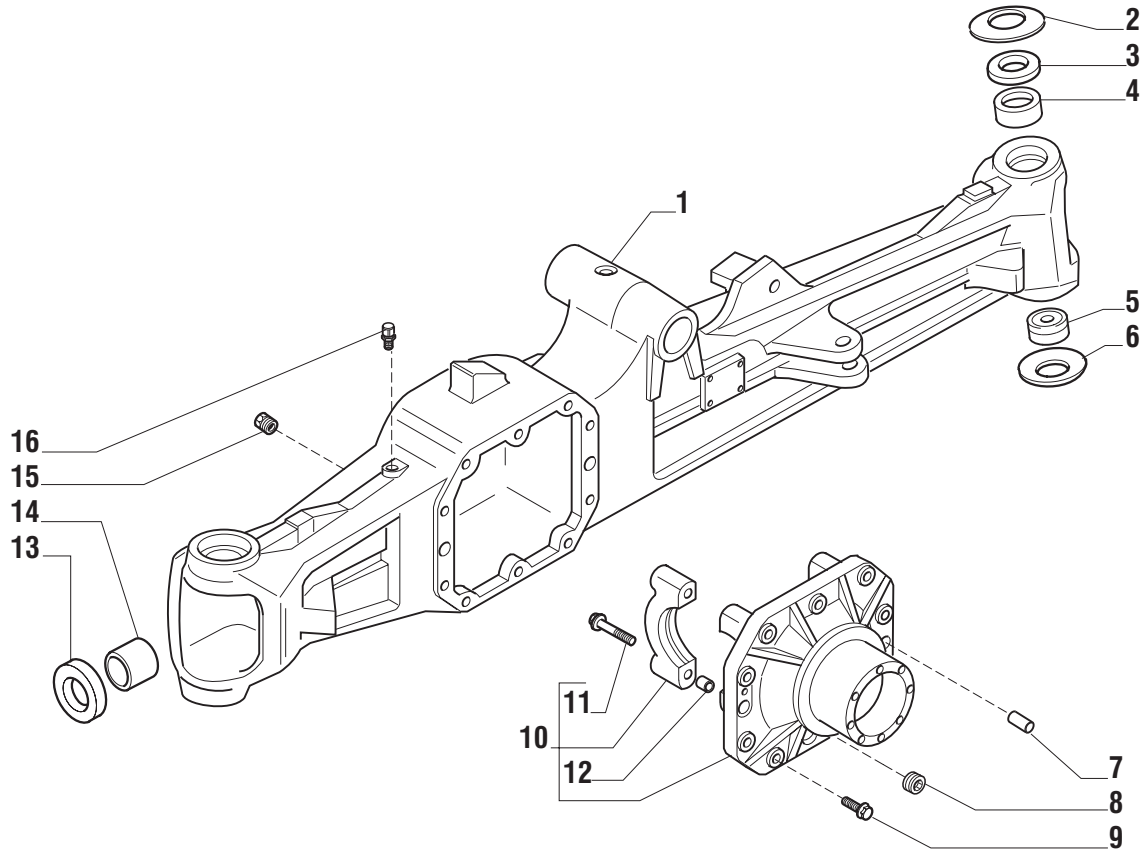
**ACHSE 26.18SP-LP**

**REF. 140910**

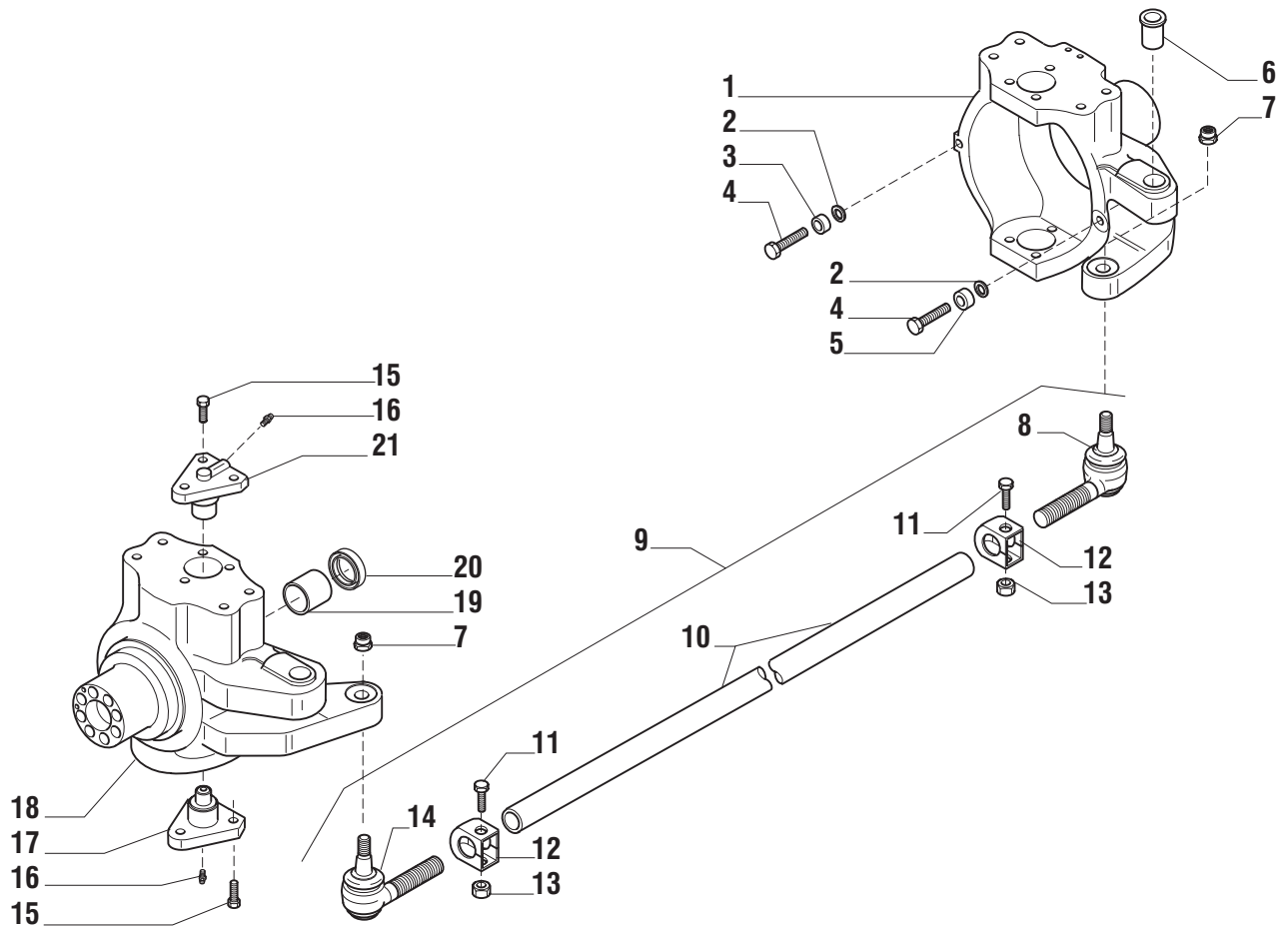
**INDICE  
INDEX  
INDEX  
INDEX**

|              |  |
|--------------|--|
| <b>1.0.0</b> | Corpo assale<br>Axle housing<br>Corps du pont<br>Achsgehäuse   |
| <b>2.0.0</b> | Calotte e cilindro di sterzo<br>Swivel housings and steering cylinder<br>Calottes et verin de direction<br>Gelenkgehäuse und Lenkzylinder                        |
| <b>3.0.0</b> | Coppia conica<br>Bevel gear/pinion set<br>Couple conique<br>Kegel- und Tellerrad   |
| <b>4.0.0</b> | Differenziale<br>Differential<br>Differential<br>Differential  |
| <b>5.0.0</b> | Doppio giunto<br>Double joint<br>Double joint<br>Antriebswellen  |
| <b>6.0.0</b> | Mozzo ruota e riduzione epicicloidale<br>Wheel hub and epicycloidal reduction gears<br>Moyeu de roue et réduction épicycloidal<br>Radnabe und Satellitengetriebe |
| <b>7.0.0</b> | Sommario kit<br>Kit summary<br>Sommaire kit<br>Ersatzteil-Sets   |

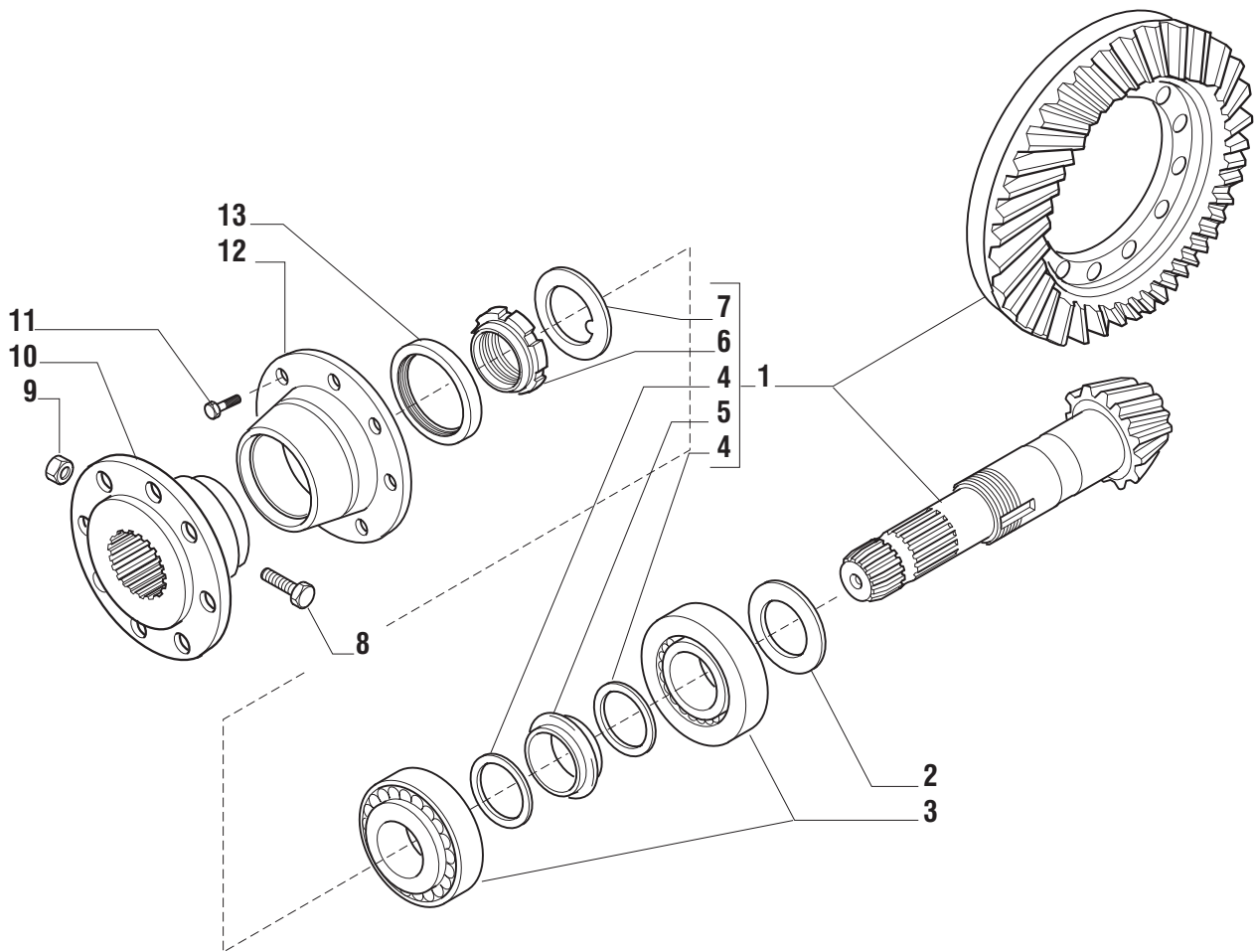
**This catalogue is valid from serial number 101.  
Ce catalogue est valable à commencer du numéro 101.  
Der vorliegende katalog ist gültig ab Serienmr. 101.  
Il presente catalogo è valido a partire dal N° di matricola 101.**



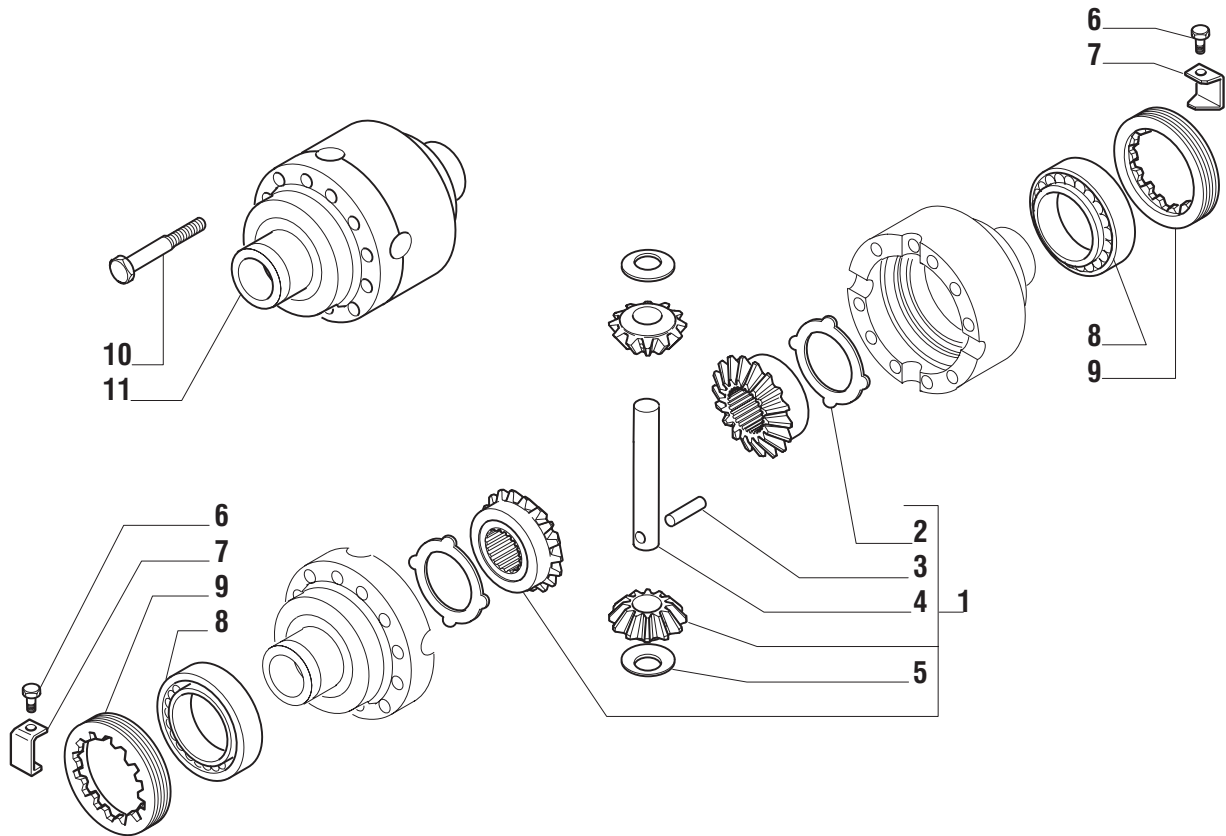
| Pos. | Ref.   | Q.ty | Descrizione            | Description          | Kit | From S/N | To S/N | Note |
|------|--------|------|------------------------|----------------------|-----|----------|--------|------|
| 1    | 130046 | 1    | Corpo assale           | Axle housing         |     |          |        |      |
| 2    | 128633 | 2    | Molla tazza            | Belleville washer    |     |          |        |      |
| 3    | 131265 | 2    | Spessore registro      | Spacer washer        |     |          |        |      |
| 4    | 123641 | 2    | Bussola                | Bush                 |     |          |        |      |
| 5    | 123726 | 2    | Cuscinetto sferico     | Spherical bearing    |     |          |        |      |
| 6    | 128630 | 2    | Molla tazza            | Belleville washer    |     |          |        |      |
| 7    | 087660 | 2    | Spina D15x35           | Pin D15x35           |     |          |        |      |
| 8    | 021565 | 1    | Tappo M22x1.5          | Plug M22x1.5         |     |          |        |      |
| 9    | 125827 | 10   | Vite M12x33            | Bolt M12x33          |     |          |        |      |
| 10   | 125836 | 1    | Supporto differenziale | Differential support |     |          |        |      |
| 11   | 072235 | 4    | Bussola di centraggio  | Centering bush       |     |          |        |      |
| 12   | 126022 | 4    | Vite M14x75            | Bolt M14x75          |     |          |        |      |
| 13   | 116723 | 2    | Anello di tenuta       | Oil seal ring        |     |          |        |      |
| 14   | 118547 | 2    | Bronzina               | Bush                 |     |          |        |      |
| 15   | 092270 | 1    | Tappo M22x1.5          | Plug M22x1.5         |     |          |        |      |
| 16   | 104988 | 1    | Sfiato M10x1           | Breather M10x1       |     |          |        |      |



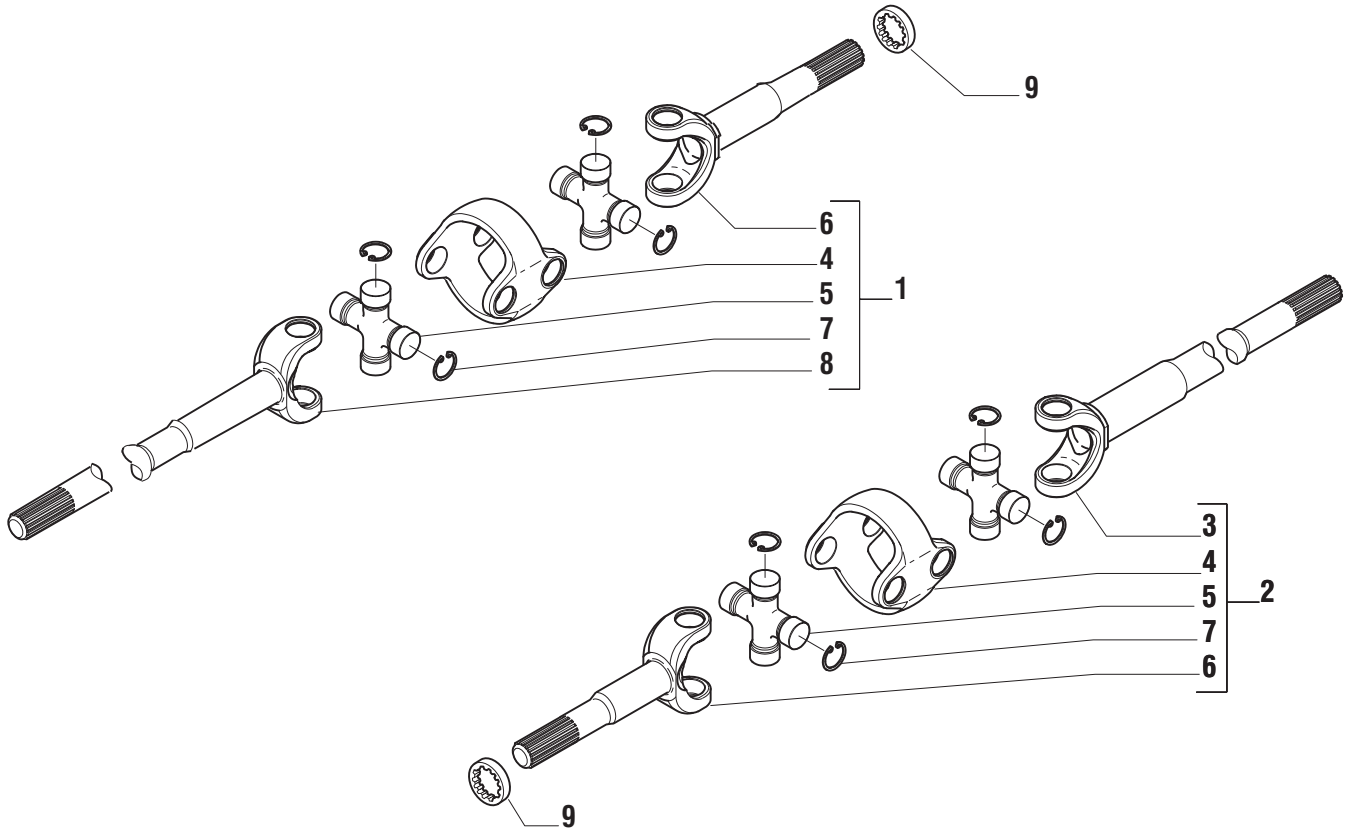
| Pos. | Ref.   | Q.ty | Descrizione                  | Description                 | Kit | From S/N | To S/N | Note |
|------|--------|------|------------------------------|-----------------------------|-----|----------|--------|------|
| 1    | 139043 | 1    | Calotta DX                   | Swivel housing RH           |     |          |        |      |
| 2    | 101035 | -    | Spessore 1mm                 | Shim 1mm                    |     |          |        |      |
| 3    | 132672 | 2    | Bussola (fermo sterz. post.) | Bush (rear steering stops)  |     |          |        |      |
| 4    | 117357 | 4    | Vite M14x60                  | Bolt M14x60                 |     |          |        |      |
| 5    | 122577 | 2    | Bussola (fermo sterz. ant.)  | Bush (front steering stops) |     |          |        |      |
| 6    | 132099 | 1    | Bussola                      | Bush                        |     |          |        |      |
| 7    | 022433 | 2    | Dado M16x1.5                 | Nut M16x1.5                 |     |          |        |      |
| 8    | 088759 | 1    | Snodo sferico DX             | Ball joint RH               |     |          |        |      |
| 9    | 124924 | 1    | Assieme barra collegam.      | Tie rod Assy                |     |          |        |      |
| 10   | 120818 | 1    | Stelo                        | Tie rod                     |     |          |        |      |
| 11   | 021199 | 2    | Vite M16x65                  | Bolt M16x65                 |     |          |        |      |
| 12   | 114840 | 2    | Staffa di fissaggio          | Clamp                       |     |          |        |      |
| 13   | 022440 | 2    | Dado M16x1.5                 | Nut M16x1.5                 |     |          |        |      |
| 14   | 087031 | 1    | Snodo sferico SX             | Ball joint LH               |     |          |        |      |
| 15   | 126922 | 12   | Vite M14x35                  | Bolt M14x35                 |     |          |        |      |
| 16   | 024210 | 4    | Ingrassatore M6x1            | Greaser nipple M6x1         |     |          |        |      |
| 17   | 128881 | 1    | Perno snodo                  | King pin                    |     |          |        |      |
| 18   | 139044 | 1    | Calotta SX                   | Swivel housing LH           |     |          |        |      |
| 19   | 109972 | 2    | Bronzina                     | Bush                        |     |          |        |      |
| 20   | 116722 | 2    | Anello tenuta                | Oil seal ring               |     |          |        |      |
| 21   | 128880 | 1    | Perno snodo                  | King pin                    |     |          |        |      |



| Pos. | Ref.          | Q.ty | Descrizione              | Description           | Kit           | From S/N | To S/N | Note |
|------|---------------|------|--------------------------|-----------------------|---------------|----------|--------|------|
| 1    | <b>065596</b> | 1    | Kit coppia conica Z15/32 | Bevel gear set Z15/32 |               |          |        |      |
| 2    | <b>132265</b> | -    | Spessore 2.5mm           | Shim 2.5mm            |               |          |        |      |
| 2    | <b>132266</b> | -    | Spessore 2.6mm           | Shim 2.6mm            |               |          |        |      |
| 2    | <b>132267</b> | -    | Spessore 2.7mm           | Shim 2.7mm            |               |          |        |      |
| 2    | <b>132268</b> | -    | Spessore 2.8mm           | Shim 2.8mm            |               |          |        |      |
| 2    | <b>132269</b> | -    | Spessore 2.9mm           | Shim 2.9mm            |               |          |        |      |
| 2    | <b>132270</b> | -    | Spessore 3.0mm           | Shim 3.0mm            |               |          |        |      |
| 2    | <b>132271</b> | -    | Spessore 3.1mm           | Shim 3.1mm            |               |          |        |      |
| 2    | <b>132272</b> | -    | Spessore 3.2mm           | Shim 3.2mm            |               |          |        |      |
| 2    | <b>132273</b> | -    | Spessore 3.3mm           | Shim 3.3mm            |               |          |        |      |
| 2    | <b>132274</b> | -    | Spessore 3.4mm           | Shim 3.4mm            |               |          |        |      |
| 3    | <b>027350</b> | 2    | Cuscinetto               | Bearing               |               |          |        |      |
| 4    | <b>125829</b> | 2    | Rondella                 | Washer                | <b>065596</b> |          |        |      |
| 5    | <b>125806</b> | 1    | Distanziale elastico     | Collapsible spacer    | <b>065596</b> |          |        |      |
| 6    | <b>115054</b> | 1    | Ghiera M40x1.5           | Ring nut M40x1.5      | <b>065596</b> |          |        |      |
| 7    | <b>113717</b> | 1    | Rondella fermo ghiera    | Lockwasher            | <b>065596</b> |          |        |      |
| 8    | <b>021105</b> | 2    | Vite M10x60              | Bolt M10x60           |               |          |        |      |
| 9    | <b>022411</b> | 2    | Dado M10x1.25            | Nut M10x1.25          |               |          |        |      |
| 10   | <b>117362</b> | 1    | Flangia                  | Flange                |               |          |        |      |
| 11   | <b>020746</b> | 6    | Vite M6x16               | Bolt M6x16            |               |          |        |      |
| 12   | <b>116370</b> | 1    | Coperchio                | Cover                 |               |          |        |      |
| 13   | <b>116722</b> | 1    | Anello di tenuta         | Oil seal ring         |               |          |        |      |



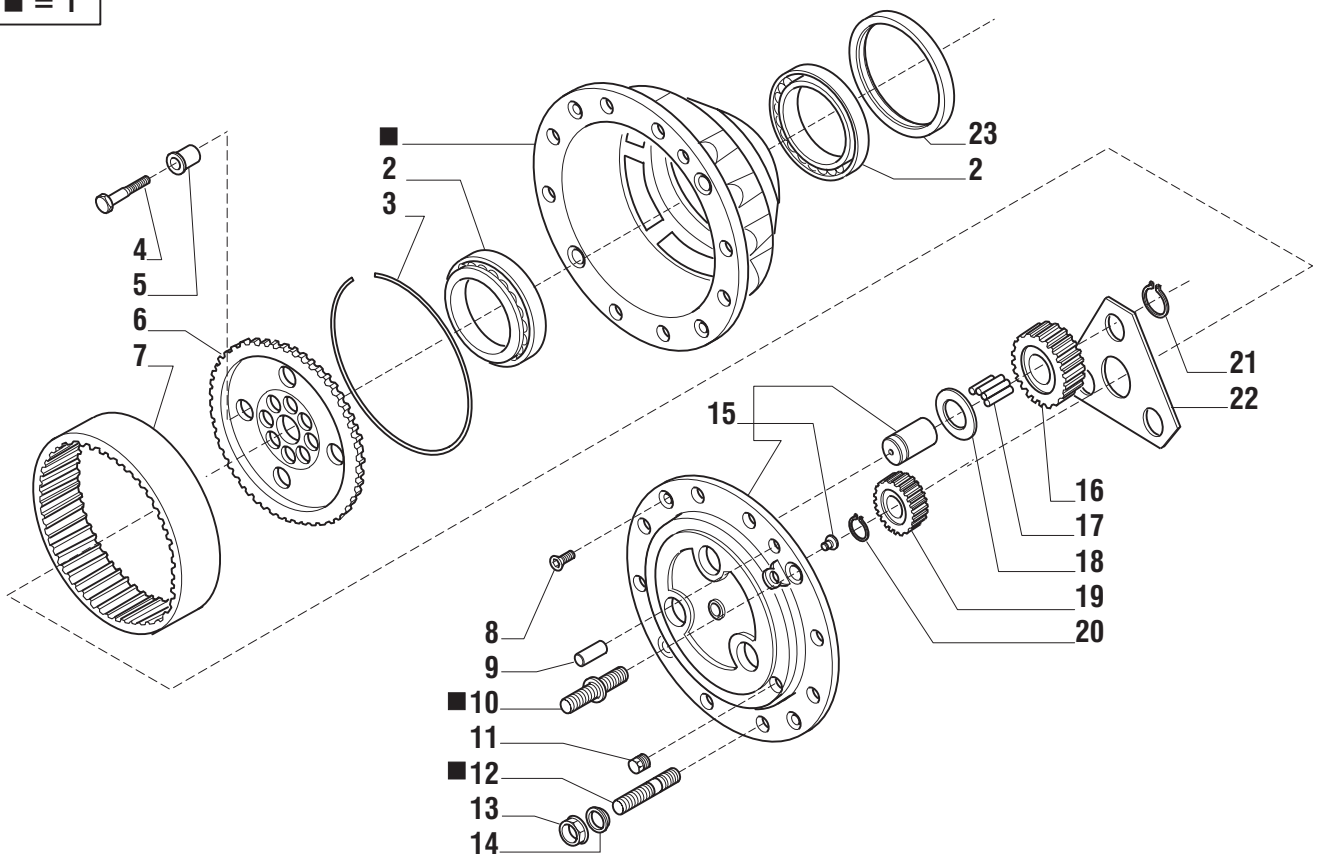
| Pos. | Ref.          | Q.ty | Descrizione             | Description          | Kit           | From S/N | To S/N | Note |
|------|---------------|------|-------------------------|----------------------|---------------|----------|--------|------|
| 1    | <b>066161</b> | 1    | Kit ingr. differenziale | Differential kit     |               |          |        |      |
| 2    | <b>120361</b> | 2    | Controdisco             | Thrust washer        | <b>066161</b> |          |        |      |
| 3    | <b>116451</b> | 1    | Spina D7x40             | Pin D7x40            | <b>066161</b> |          |        |      |
| 4    | <b>115731</b> | 1    | Perno                   | Shaft                | <b>066161</b> |          |        |      |
| 5    | <b>115730</b> | 2    | Ralla rasamento         | Thrust washer        | <b>066161</b> |          |        |      |
| 6    | <b>128440</b> | 2    | Vite M6x10              | Bolt M6x10           |               |          |        |      |
| 7    | <b>107778</b> | 2    | Fermo ghiera            | Locking plate        |               |          |        |      |
| 8    | <b>027309</b> | 2    | Cuscinetto              | Bearing              |               |          |        |      |
| 9    | <b>107400</b> | 2    | Ghiera                  | Ring nut             |               |          |        |      |
| 10   | <b>125552</b> | 12   | Vite M10x75             | Bolt M10x75          |               |          |        |      |
| 11   | <b>137972</b> | 1    | Scatola differenziale   | Differential housing |               |          |        |      |



| Pos. | Ref.   | Q.ty | Descrizione      | Description             | Kit | From S/N | To S/N | Note |
|------|--------|------|------------------|-------------------------|-----|----------|--------|------|
| 1    | 125933 | 1    | Doppio giunto SX | Double joint LH         |     |          |        |      |
| 2    | 125934 | 1    | Doppio giunto DX | Double joint RH         |     |          |        |      |
| 3    | 040881 | 1    | Semiassa L.D     | Half-shaft (diff. side) |     |          |        |      |
| 4    | 040824 | 1*   | Corpo centrale   | Central body            |     |          |        |      |
| 5    | 040823 | 2*   | Crociera         | Spider                  |     |          |        |      |
| 6    | 040821 | 1*   | Forcella L.R.    | Half-shaft (wheel side) |     |          |        |      |
| 7    | 040822 | 8*   | Anello d'arresto | Lock ring               |     |          |        |      |
| 8    | 040884 | 1    | Semiassa L.D.    | Half-shaft (diff. Side) |     |          |        |      |
| 9    | 127592 | 2    | Distanziale      | Spacer                  |     |          |        |      |
|      |        |      |                  |                         |     |          |        |      |
|      |        |      |                  |                         |     |          |        |      |
|      |        |      |                  |                         |     |          |        |      |
|      |        |      |                  |                         |     |          |        |      |
|      |        |      |                  |                         |     |          |        |      |
|      |        |      |                  |                         |     |          |        |      |
|      |        |      |                  |                         |     |          |        |      |
|      |        |      |                  |                         |     |          |        |      |
|      |        |      |                  |                         |     |          |        |      |
|      |        |      |                  |                         |     |          |        |      |
|      |        |      |                  |                         |     |          |        |      |
|      |        |      |                  |                         |     |          |        |      |
|      |        |      |                  |                         |     |          |        |      |
|      |        |      |                  |                         |     |          |        |      |

\* Q.ty valid only for one double joint.

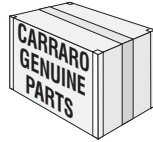
■ = 1



| Pos. | Ref.   | Q.ty | Descrizione               | Description               | Kit    | From S/N | To S/N | Note |
|------|--------|------|---------------------------|---------------------------|--------|----------|--------|------|
| 1    | 066338 | 2    | Kit mozzo ruota           | Wheel hub kit             |        |          |        |      |
| 2    | 118370 | 4    | Cuscinetto                | Bearing                   |        |          |        |      |
| 3    | 125555 | 2    | Anello                    | Lockring                  |        |          |        |      |
| 4    | 119906 | 16   | Vite M14x65               | Bolt M14x65               |        |          |        |      |
| 5    | 125190 | 16   | Bussola                   | Bush                      |        |          |        |      |
| 6    | 138722 | 2    | Mozzo porta corona        | Wheel carrier             |        |          |        |      |
| 7    | 125549 | 2    | Corona epicicloideale Z75 | Crown gear Z75            |        |          |        |      |
| 8    | 020510 | 4    | Vite M12x30               | Bolt M12x30               |        |          |        |      |
| 9    | 115640 | 4    | Spina D18x36              | Pin D18x36                |        |          |        |      |
| 10   | 120853 | 2*   | Prigioniero               | Stud                      | 066338 |          |        |      |
| 11   | 092270 | 2    | Tappo M22x1.5             | Plug M22x1.5              |        |          |        |      |
| 12   | 106199 | 6*   | Prigioniero               | Stud                      | 066338 |          |        |      |
| 13   | 115812 | 16   | Dado                      | Nut                       |        |          |        |      |
| 14   | 119505 | 16   | Rondella                  | Washer                    |        |          |        |      |
| 15   | 066579 | 2    | Kit treno portasatelliti  | Planetary carrier assy    |        |          |        |      |
| 16   | 120836 | 6    | Ingranaggio Z29           | Gear Z29                  |        |          |        |      |
| 17   | 028294 | 18   | Gabbia rullini (a decine) | Bearing needles (by tens) |        |          |        |      |
| 18   | 115634 | 6    | Ralla                     | Thrust washer             |        |          |        |      |
| 19   | 115643 | 2    | Ingranaggio Z15           | Gear Z15                  |        |          |        |      |
| 20   | 024784 | 2    | Anello seeger             | Snap ring                 |        |          |        |      |
| 21   | 024789 | 6    | Anello seeger             | Snap ring                 |        |          |        |      |
| 22   | 116458 | 2    | Ralla                     | Thrust washer             |        |          |        |      |
| 23   | 047705 | 2    | Anello di tenuta          | Oil seal ring             |        |          |        |      |

\* Q.ty valid only for one wheel hub assy.





| Kit ref.      | Ref.   | Descrizione               | Description            | Q.ty | From S/N | To S/N | Note |
|---------------|--------|---------------------------|------------------------|------|----------|--------|------|
| <b>065596</b> | -      | Kit coppia conica Z15/32  | Bevel gear set Z15/32  | -    |          |        |      |
| -             | -      | Coppia conica Z15/32      | Bevel gear Z15/32      | 1    |          |        |      |
| -             | 125806 | Distanziale elastico      | Collapsible spacer     | 1    |          |        |      |
| -             | 125829 | Rondella                  | Washer                 | 2    |          |        |      |
| -             | 113717 | Rondella fermo ghiera     | Lockwasher             | 1    |          |        |      |
| -             | 115054 | Ghiera M40x1.5            | Ring nut M40x1.5       | 1    |          |        |      |
| <b>066161</b> | -      | Kit ingran. differenziale | Differential kit       | -    |          |        |      |
| -             | -      | Ingranaggio Z12           | Gear Z12               | 2    |          |        |      |
| -             | -      | Ingranaggio Z18           | Gear Z18               | 2    |          |        |      |
| -             | 115731 | Perno                     | Shaft                  | 1    |          |        |      |
| -             | 115730 | Ralla rasamento           | Thrust washer          | 2    |          |        |      |
| -             | 116451 | Spina D7x40               | Pin D7x40              | 1    |          |        |      |
| -             | 120361 | Controdisco               | Thrust washer          | 2    |          |        |      |
| <b>066338</b> | -      | Kit mozzo ruota           | Wheel hub kit          | -    |          |        |      |
| -             | -      | Mozzo ruota               | Wheel hub              | 1    |          |        |      |
| -             | 120853 | Prigioniero               | Stud                   | 2    |          |        |      |
| -             | 106199 | Prigioniero               | Stud                   | 6    |          |        |      |
| <b>066579</b> | -      | Kit treno portasatelliti  | Planetary carrier assy | -    |          |        |      |
| -             | -      | Treno portasatelliti      | Planetary carrier      | 1    |          |        |      |
| -             | -      | Perno                     | Shaft                  | 3    |          |        |      |
| -             | -      | Pattino arresto           | Pad                    | 1    |          |        |      |

Manuale di riparazione / Repair manual / Manual de reparation / Ersatzlehrbuch - COD: