



CARRARO

Catalogo Parti Di Ricambio

Spare Parts List

TRASMISSIONE CV2

TRANSMISSION CV2

REF. 141503

INDICE**INDEX**

1.0.1 Scatola trasmissione e coperchi
Transmission housing and covers

1.0.0 Scatola trasmissione e coperchi
Transmission housing and covers

2.0.0 Treno portasatelliti
Planetary carrier

3.0.0 Albero frizione
Clutch shaft

4.0.0 Campana frizione
Clutch bell

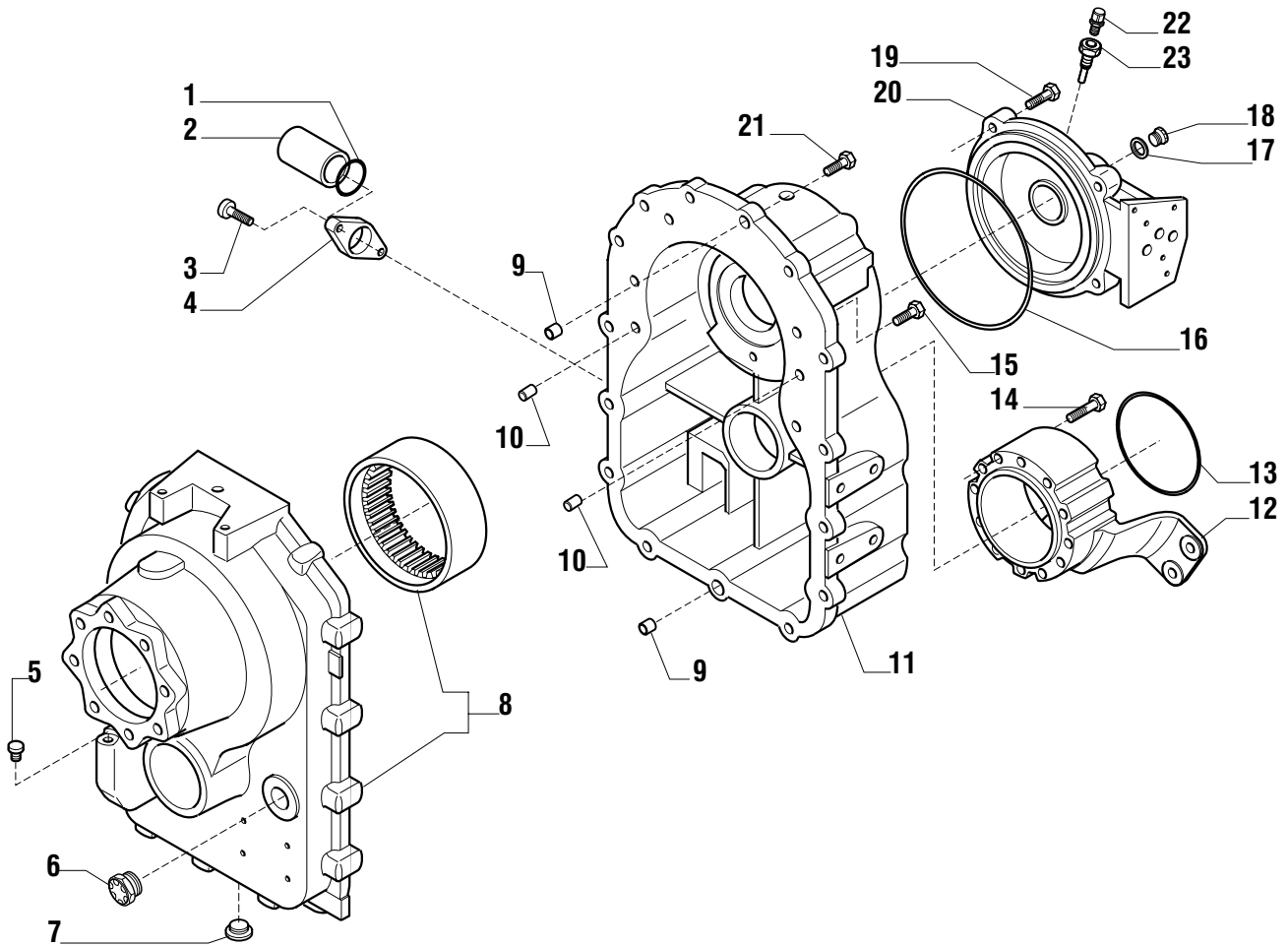
5.0.0 Freni
Brakes

6.0.1 Albero uscita
Output shaft

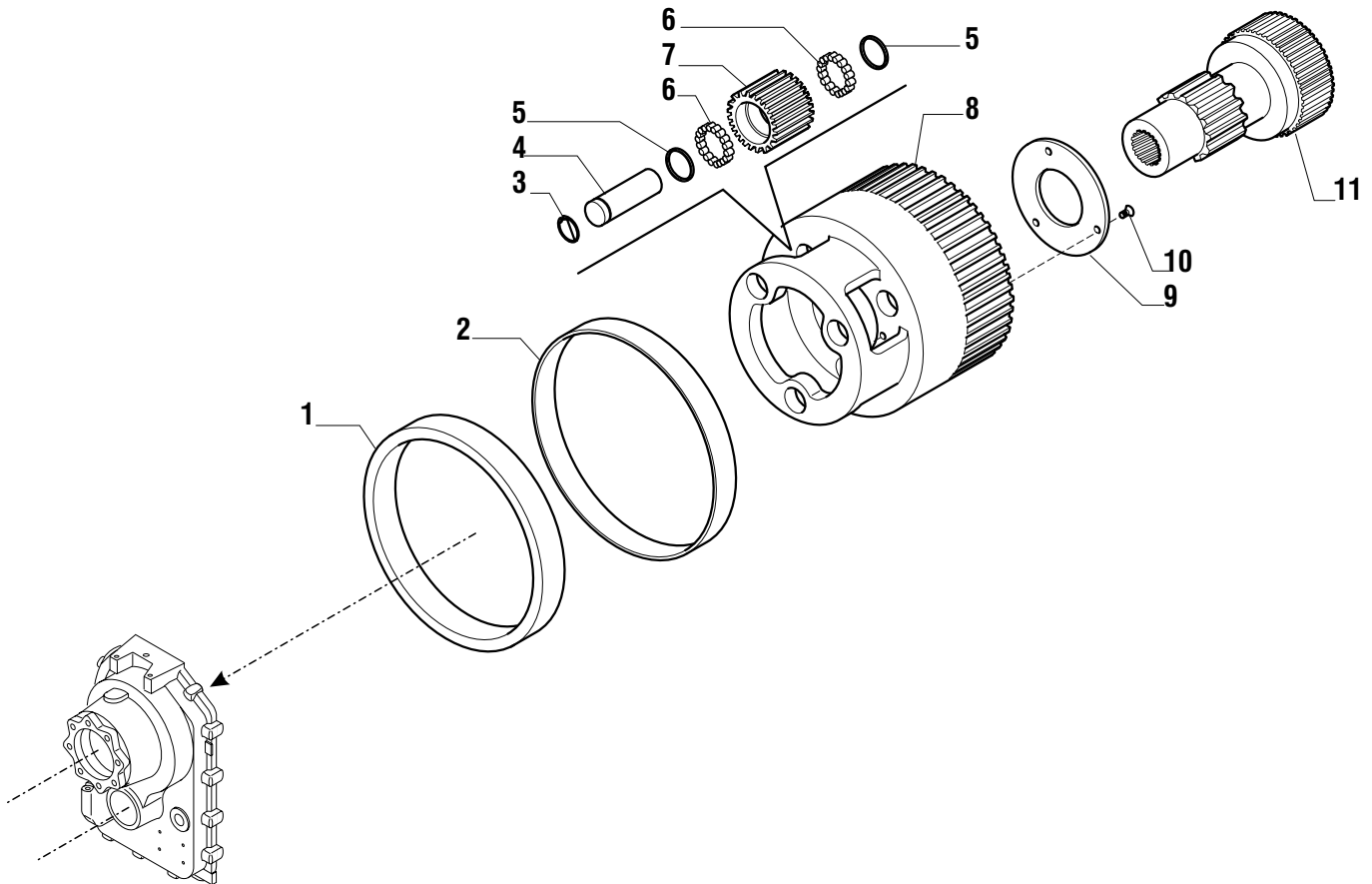
7.0.1 Elettrovalvole e tubi
Valves and pipes

8.0.0 Sommario kit
Kit summary

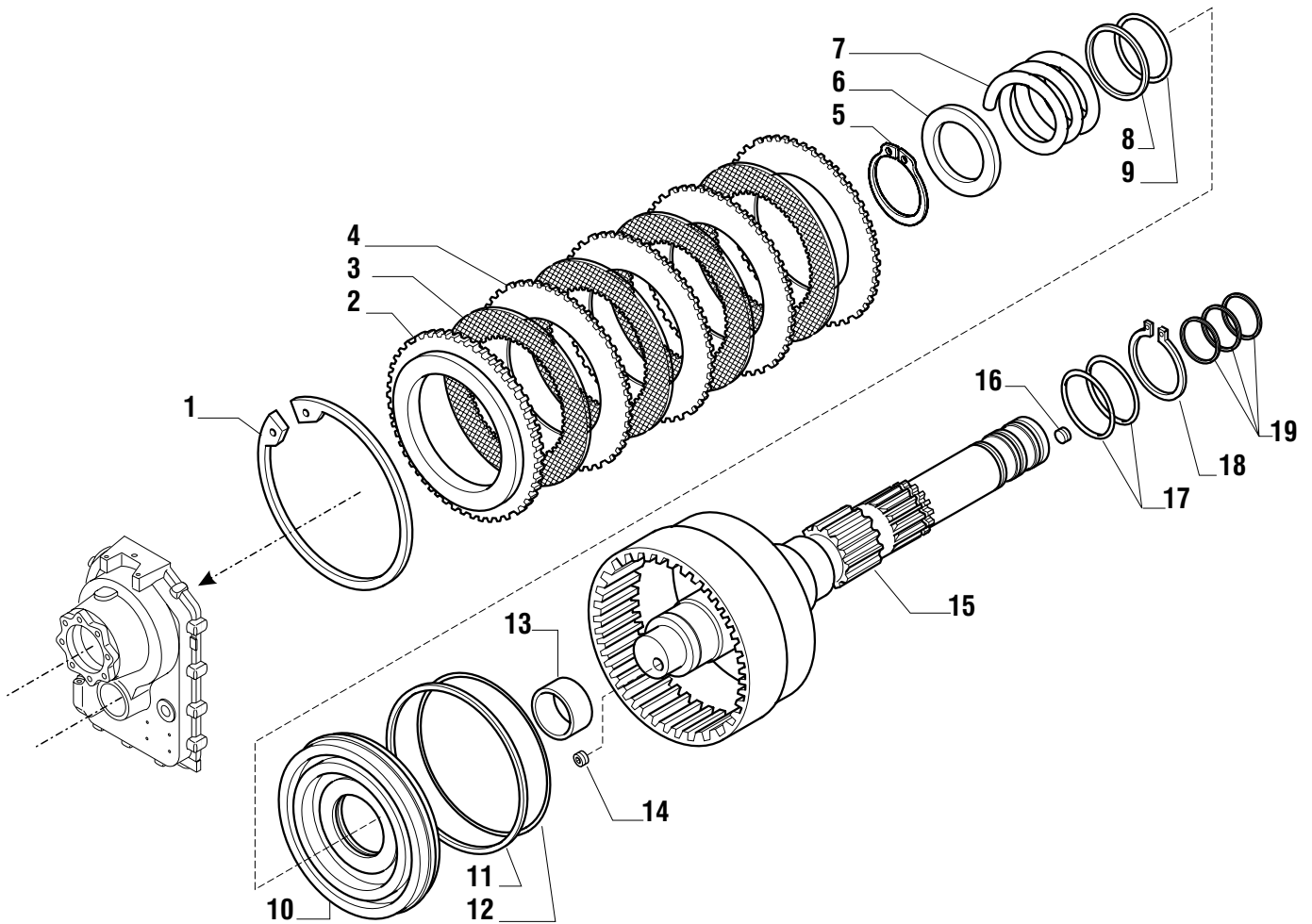
**Il presente catalogo è valido a partire dal N° di matricola 101.
This catalogue is valid from serial number 101.**



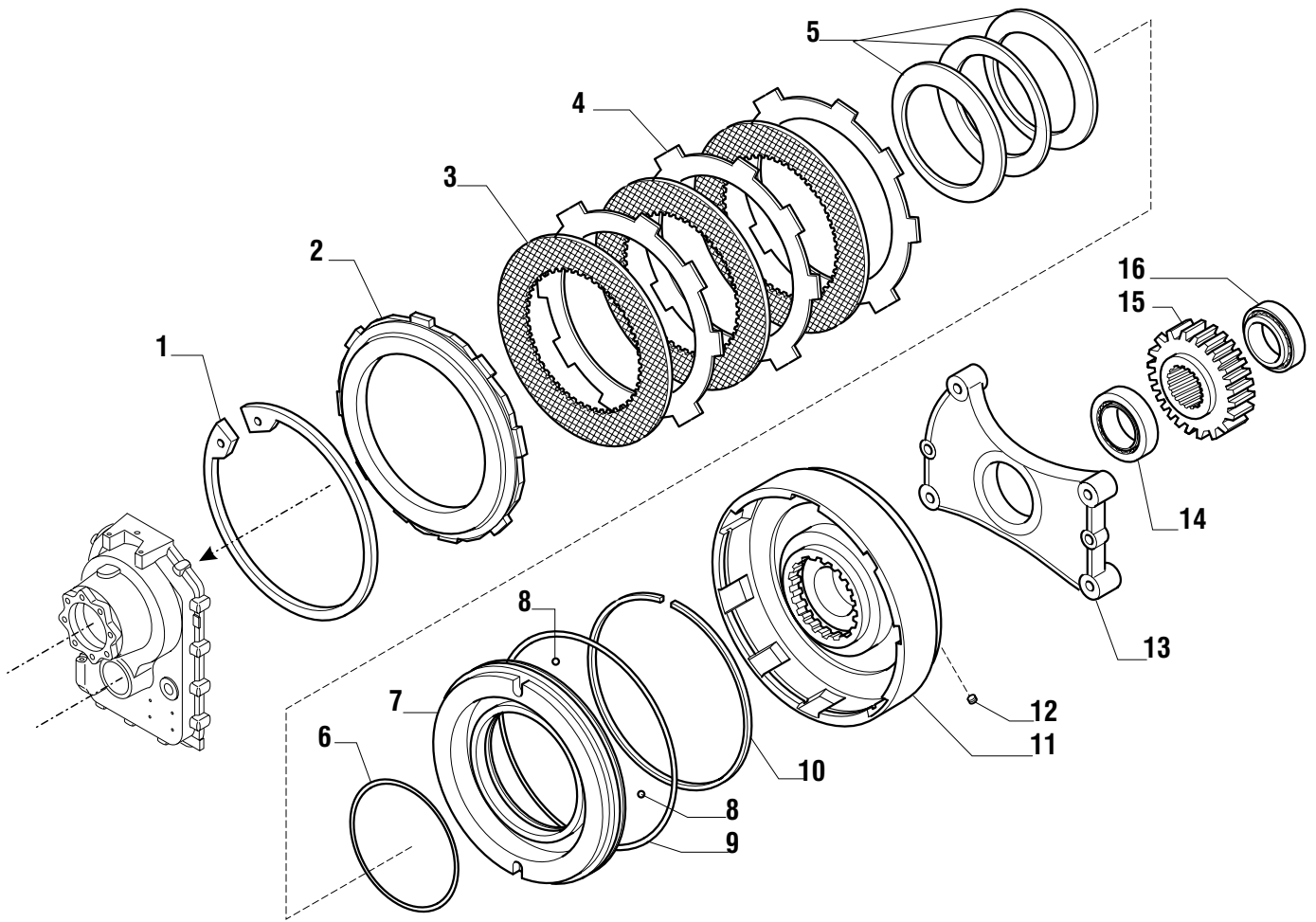
| Pos. | Ref. | Q.ty | Descrizione | Description | Kit | From S/N | To S/N | Note |
|------|--------|------|---------------------------|------------------------|-----|----------|--------|---------|
| 1 | 028131 | 1 | Anello OR | O.ring | | | | |
| 2 | 135859 | 1 | Filtro olio | Oil filter | | | | |
| 3 | 020793 | 2 | Vite M8x30 | Bolt M8x30 | | | | |
| 4 | 142129 | 1 | Coperchio filtro | Filter cover | | | | |
| 5 | 030739 | 1 | Tappo | Plug | | | | CM 8446 |
| 6 | 144815 | 1 | Tappo livello olio | Oil level plug | | | | |
| 7 | 125280 | 1 | Tappo M30x2 | Plug M30x2 | | | | |
| 8 | 066963 | 1 | Kit semiscatola anteriore | Front half-housing kit | | | | |
| 9 | 140901 | 2 | Boccola | Bush | | | | |
| 10 | 072259 | 2 | Spina D10x25 | Pin D10x25 | | | | |
| 11 | 142020 | 1 | Semiscatola posteriore | Rear transmission | | | | |
| 12 | 142024 | 1 | Supporto scatola | Support | | | | |
| 13 | 028516 | 1 | Anello OR | O.ring | | | | |
| 14 | 020869 | 11 | Vite M10x80 | Bolt M10x80 | | | | |
| 15 | 020854 | 6 | Vite M10x35 | Bolt M10x35 | | | | |
| 16 | 033094 | 1 | Anello OR | O.ring | | | | |
| 17 | 023260 | 1 | Rondella rame | Copper washer | | | | |
| 18 | 021322 | 1 | Tappo | Plug | | | | |
| 19 | 020923 | 4 | Vite M12x40 | Bolt M12x40 | | | | |
| 20 | 142023 | 1 | Coperchio | Cover | | | | |
| 21 | 020852 | 13 | Vite M10x30 | Bolt M10x30 | | | | |
| 22 | 104988 | 1 | Sfiato M10x1 | Breather M10x1 | | | | CM 8446 |
| 23 | 146146 | 1 | Prolunga sfiato | Breather extention | | | | CM 8446 |



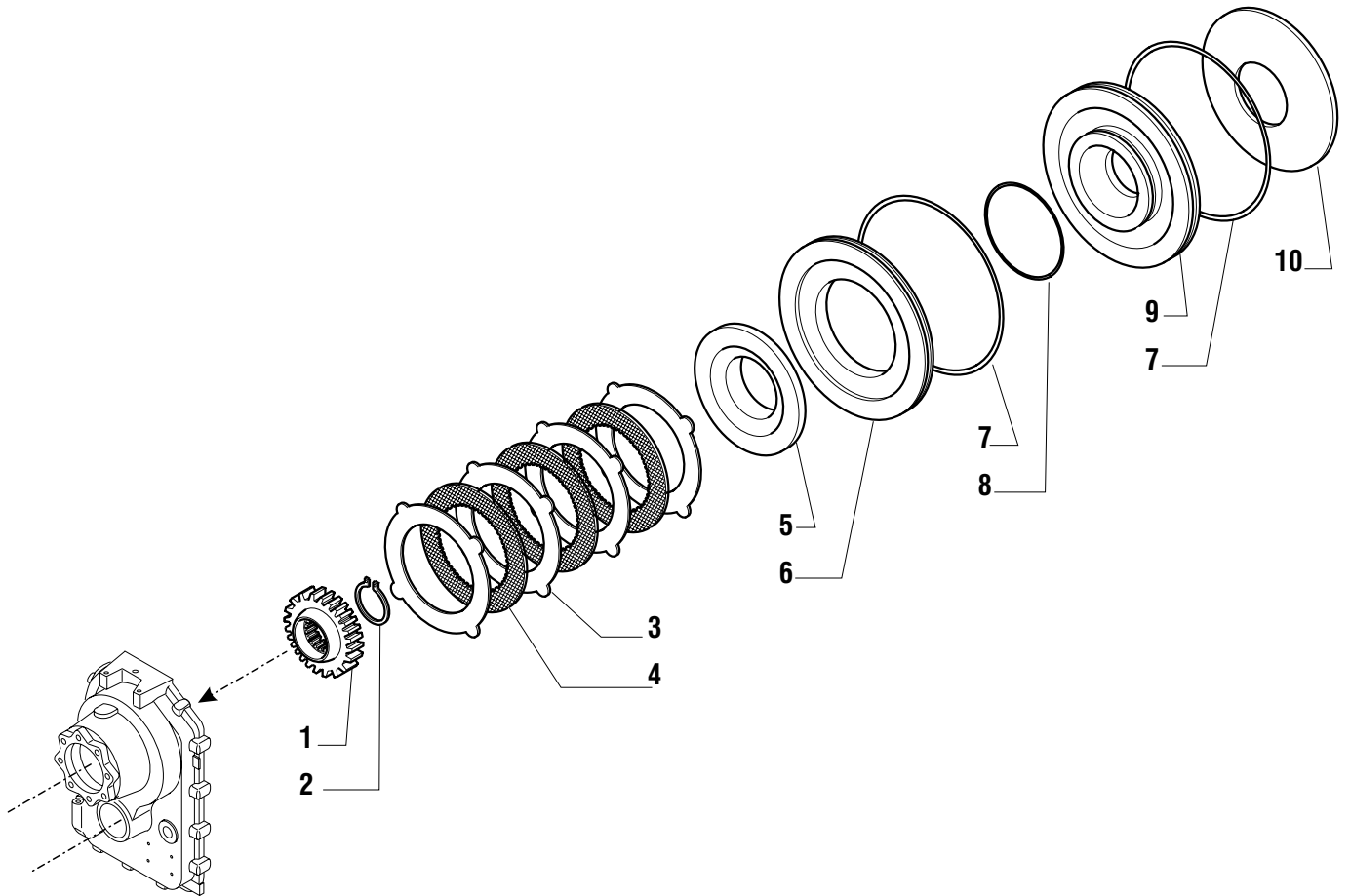
| Pos. | Ref. | Q.ty | Descrizione | Description | Kit | From S/N | To S/N | Note |
|------|--------|------|-----------------------|------------------------|-----|----------|--------|------|
| 1 | 145509 | 1 | Bussola | Bush | | | | |
| 2 | 145531 | 1 | Bronzina | Bearing bushing | | | | |
| 3 | 024900 | 3 | Anello seeger D21 | Snap ring D21 | | | | |
| 4 | 141850 | 3 | Perno satellite epic. | Pin | | | | |
| 5 | 136456 | 6 | Ralla | Thrust washer | | | | |
| 6 | 028370 | 9.6 | Rullini (a decine) | Needles bearing (tens) | | | | |
| 7 | 141852 | 3 | Ingranaggio Z=23 | Gear Z=23 | | | | |
| 8 | 141899 | 1 | Treno portasatelliti | Planetary carrier | | | | |
| 9 | 143589 | 1 | Ralla rasamento | Thrust washer | | | | |
| 10 | 020483 | 3 | Vite M6x12 | Bolt M6x12 | | | | |
| 11 | 141848 | 1 | Pignone epic. Z=26 | Pinion Z=26 | | | | |



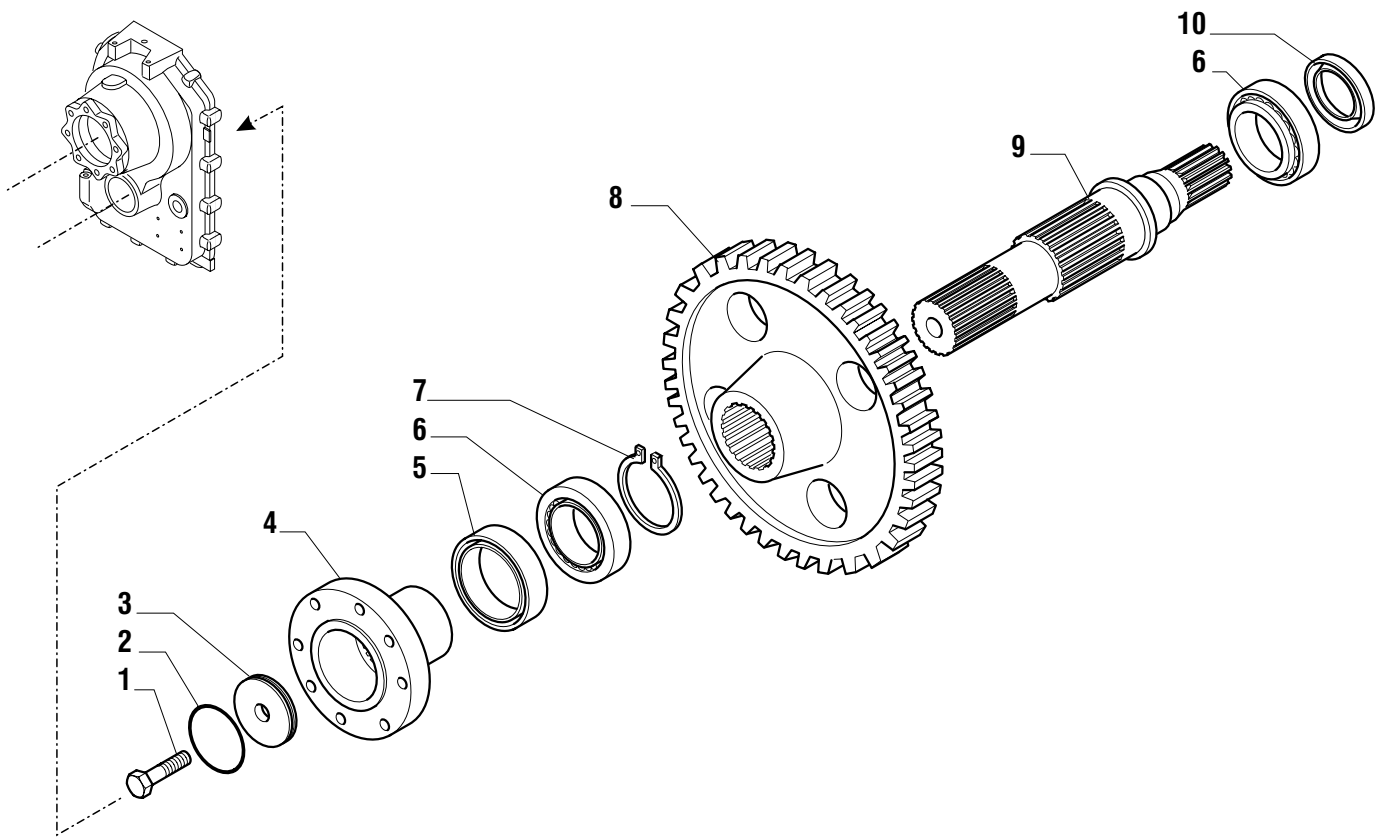
| Pos. | Ref. | Q.ty | Descrizione | Description | Kit | From S/N | To S/N | Note |
|------|--------|------|--------------------------|------------------------|-----|----------|--------|------|
| 1 | 142233 | 1 | Anello seeger | Snap ring | | | | |
| 2 | 142232 | 1 | Controdisco frizione | Clutch counter disc | | | | |
| 3 | 142231 | 4 | Disco frizione | Clutch disc | | | | |
| 4 | 142230 | 4 | Controdisco frizione | Clutch counter disc | | | | |
| 5 | 142223 | 1 | Anello seeger | Snap ring | | | | |
| 6 | 142224 | 1 | Coperchio molle | Spring cover | | | | |
| 7 | 142225 | 1 | Molla | Spring | | | | |
| 8 | 142227 | 1 | Anello tenuta | Seal ring | | | | |
| 9 | 028501 | 1 | Anello OR | O.ring | | | | |
| 10 | 142226 | 1 | Pistone frizione | Clutch piston | | | | |
| 11 | 142228 | 1 | Anello tenuta | Seal ring | | | | |
| 12 | 028177 | 1 | Anello OR | O.ring | | | | |
| 13 | 144672 | 1 | Boccola | Bush | | | | |
| 14 | 144300 | 1 | Tappo M10x1 | Plug M10x1 | | | | |
| 15 | 144829 | 1 | Campana friz. con albero | Clutch bell with shaft | | | | |
| 16 | 021558 | 2 | Tappo M10x1 | Plug M10x1 | | | | |
| 17 | 028109 | 2 | Anello OR | O.ring | | | | |
| 18 | 024807 | 1 | Anello seeger D52 | Snap ring D52 | | | | |
| 19 | 142222 | 3 | Anello tenuta rotante | Seal ring | | | | |



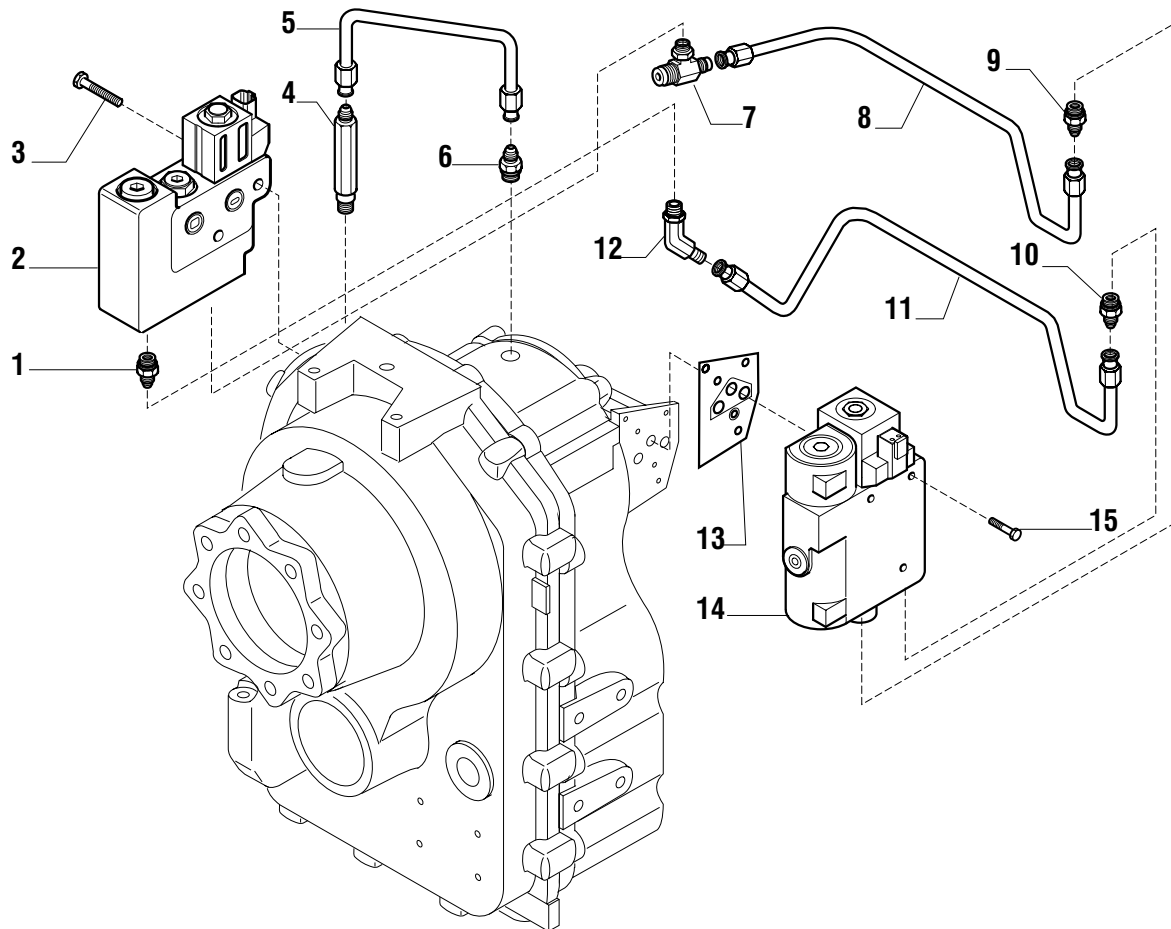
| Pos. | Ref. | Q.ty | Descrizione | Description | Kit | From S/N | To S/N | Note |
|------|--------|------|----------------------------|---------------------|-----|----------|--------|------|
| 1 | 142239 | 1 | Anello seeger | Snap ring | | | | |
| 2 | 142008 | 1 | Anello arresto disco friz. | Lock ring | | | | |
| 3 | 142238 | 3 | Disco frizione | Clutch disc | | | | |
| 4 | 142237 | 3 | Controdisco frizione | Clutch counter disc | | | | |
| 5 | 142234 | 3 | Molla a tazza | Belleville washer | | | | |
| 6 | 028638 | 1 | Anello OR | O.ring | | | | |
| 7 | 141849 | 1 | Pistone comando frizione | Clutch piston | | | | |
| 8 | 028278 | 2 | Sfera acciaio D6 | Ball D6 | | | | |
| 9 | 028660 | 1 | Anello OR | O.ring | | | | |
| 10 | 025514 | 2 | Anello seeger | Snap ring | | | | |
| 11 | 142009 | 1 | Campana frizione | Clutch bell | | | | |
| 12 | 023836 | 4 | Rivetto | Rivet | | | | |
| 13 | 142022 | 1 | Flangia porta cuscinetto | Bearing web | | | | |
| 14 | 142072 | 1 | Cuscinetto | Bearing | | | | |
| 15 | 141743 | 1 | Ingranaggio Z=30 | Gear Z=30 | | | | |
| 16 | 142127 | 1 | Cuscinetto | Bearing | | | | |



| Pos. | Ref. | Q.ty | Descrizione | Description | Kit | From S/N | To S/N | Note |
|------|--------|------|-------------------|--------------------|-----|----------|--------|------|
| 1 | 142025 | 1 | Ingranaggio Z=40 | Gear Z=40 | | | | |
| 2 | 024793 | 1 | Anello seeger D38 | Snap ring D38 | | | | |
| 3 | 142104 | 4 | Controdisco freno | Brake counter disc | | | | |
| 4 | 142231 | 3 | Disco frizione | Clutch disc | | | | |
| 5 | 142094 | 1 | Pistone freno | Brake piston | | | | |
| 6 | 142092 | 1 | Pistone freno | Brake piston | | | | |
| 7 | 033094 | 2 | Anello OR | O.ring | | | | |
| 8 | 028202 | 1 | Anello OR | O.ring | | | | |
| 9 | 142093 | 1 | Pistone freno | Brake piston | | | | |
| 10 | 140943 | 1 | Molla a tazza | Belleville washer | | | | |



| Pos. | Ref. | Q.ty | Descrizione | Description | Kit | From S/N | To S/N | Note |
|------|--------|------|-------------------|---------------|-----|----------|--------|---------|
| 1 | 021138 | 1 | Vite M12x40 | Bolt M12x40 | | | | |
| 2 | 028523 | 1 | Anello OR | O.ring | | | | CM 8446 |
| 3 | 143985 | 1 | Coperchio | Cover | | | | |
| 4 | 143793 | 1 | Flangia | Flange | | | | |
| 5 | 141846 | 1 | Anello tenuta | Seal ring | | | | |
| 6 | 142072 | 2 | Cuscinetto | Bearing | | | | |
| 7 | 024810 | 1 | Anello seeger D55 | Snap ring D55 | | | | |
| 8 | 141740 | 1 | Ingranaggio Z=72 | Gear Z=72 | | | | |
| 9 | 141741 | 1 | Albero uscita | Output shaft | | | | |
| 10 | 025348 | 1 | Anello tenuta | Seal ring | | | | |



| Pos. | Ref. | Q.ty | Descrizione | Description | Kit | From S/N | To S/N | Note |
|------|--------|------|-------------------------|----------------|-----|----------|--------|---------|
| 1 | 145253 | 1 | Raccordo | Connection | | | | |
| 2 | 142242 | 1 | Elettrovalvola freni | Brakes valve | | | | |
| 3 | 020865 | 2 | Vite M10x65 | Bolt M10x65 | | | | |
| 4 | 145259 | 1 | Raccordo | Connection | | | | |
| 5 | 145255 | 1 | Tubo | Pipe | | | | |
| 6 | 131364 | 1 | Raccordo | Connection | | | | |
| 7 | 146357 | 1 | Raccordo a T | T-Connection | | | | CM 8446 |
| 8 | 145258 | 1 | Tubo | Pipe | | | | |
| 9 | 145256 | 1 | Raccordo | Connection | | | | |
| 10 | 122997 | 1 | Raccordo | Connection | | | | |
| 11 | 145257 | 1 | Tubo | Pipe | | | | |
| 12 | 123013 | 1 | Raccordo 45° | Connection 45° | | | | |
| 13 | 145452 | 1 | Guarnizione | Gasket | | | | |
| 14 | 142241 | 1 | Elettrovalvola frizione | Clutch valve | | | | |
| 15 | 020765 | 3 | Vite M6x60 | Bolt M6x60 | | | | |

