



# **CARRARO**

**Catalogo Parti Di Ricambio**

**Spare Parts List**

**ASSALE 28.43M**

**AXLE 28.43M**

**REF. 143739**

**INDICE****INDEX**

**1.0.0** Corpo assale  
Axle housing

**2.0.0** Coppia conica  
Bevel gear/pinion set

**3.0.0** Differenziale  
Differential

**4.0.0** Bloccaggio differenziale  
Differential locking

**5.0.0** Freni  
Brakes

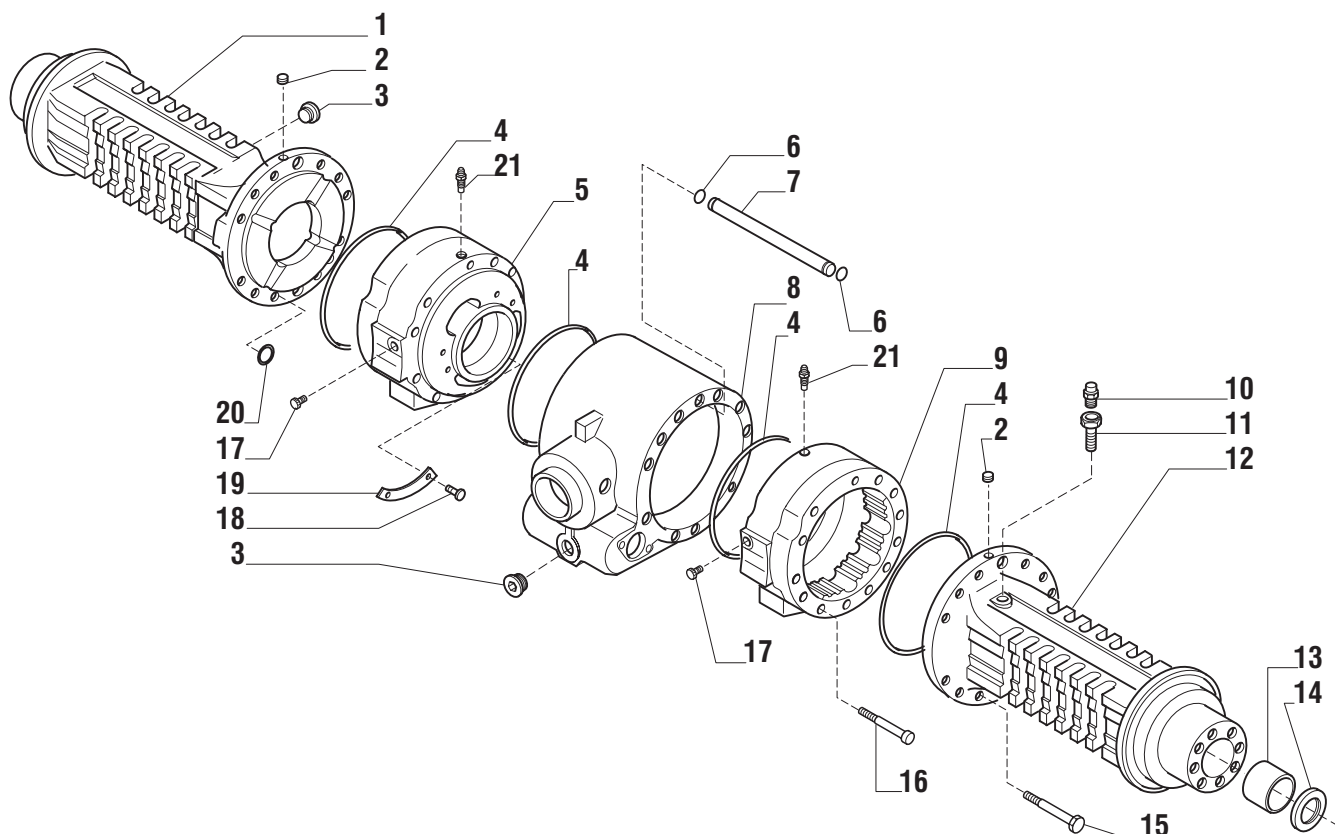
**6.0.0** Mozzo ruota  
Wheel hub

**7.0.0** Riduzione epicicloidale  
Epicyclic reduction gears

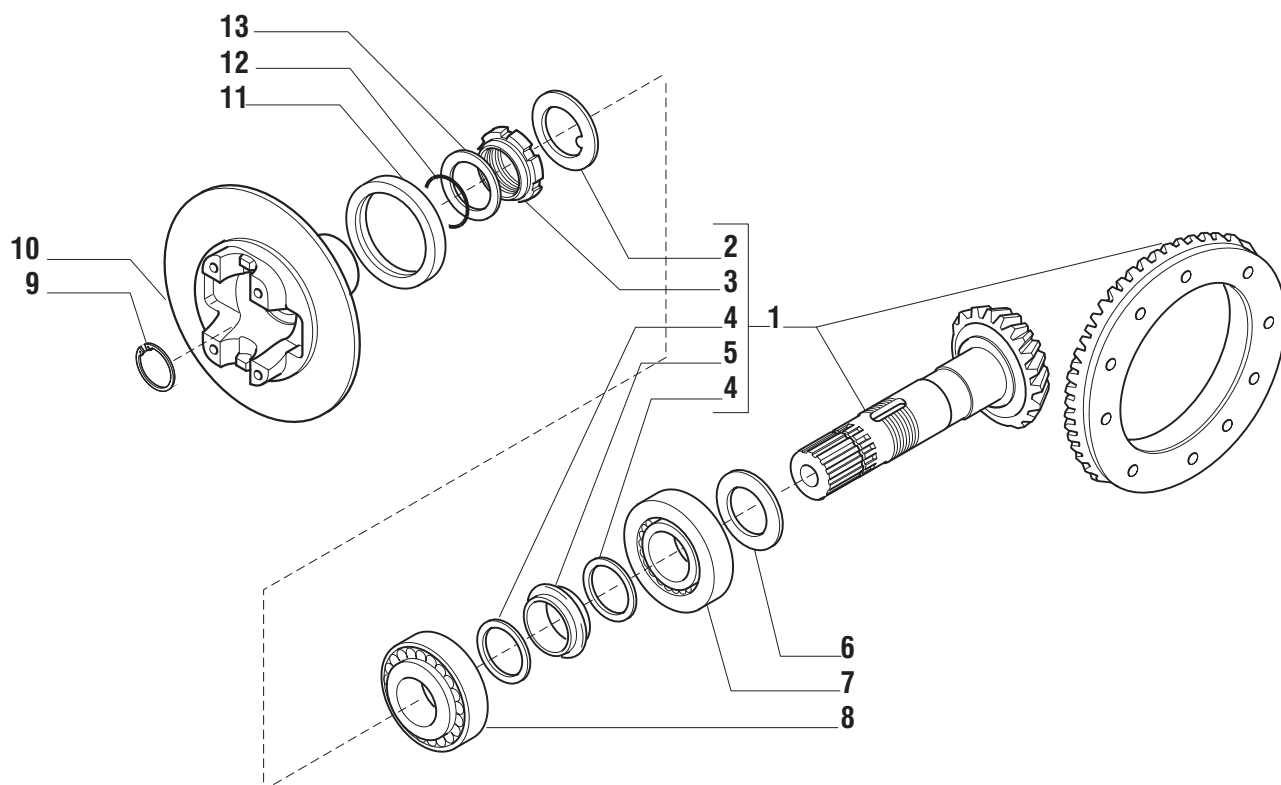
**8.0.0** Pinza freno  
Brake caliper

**9.0.0** Sommario kit  
Kit summary

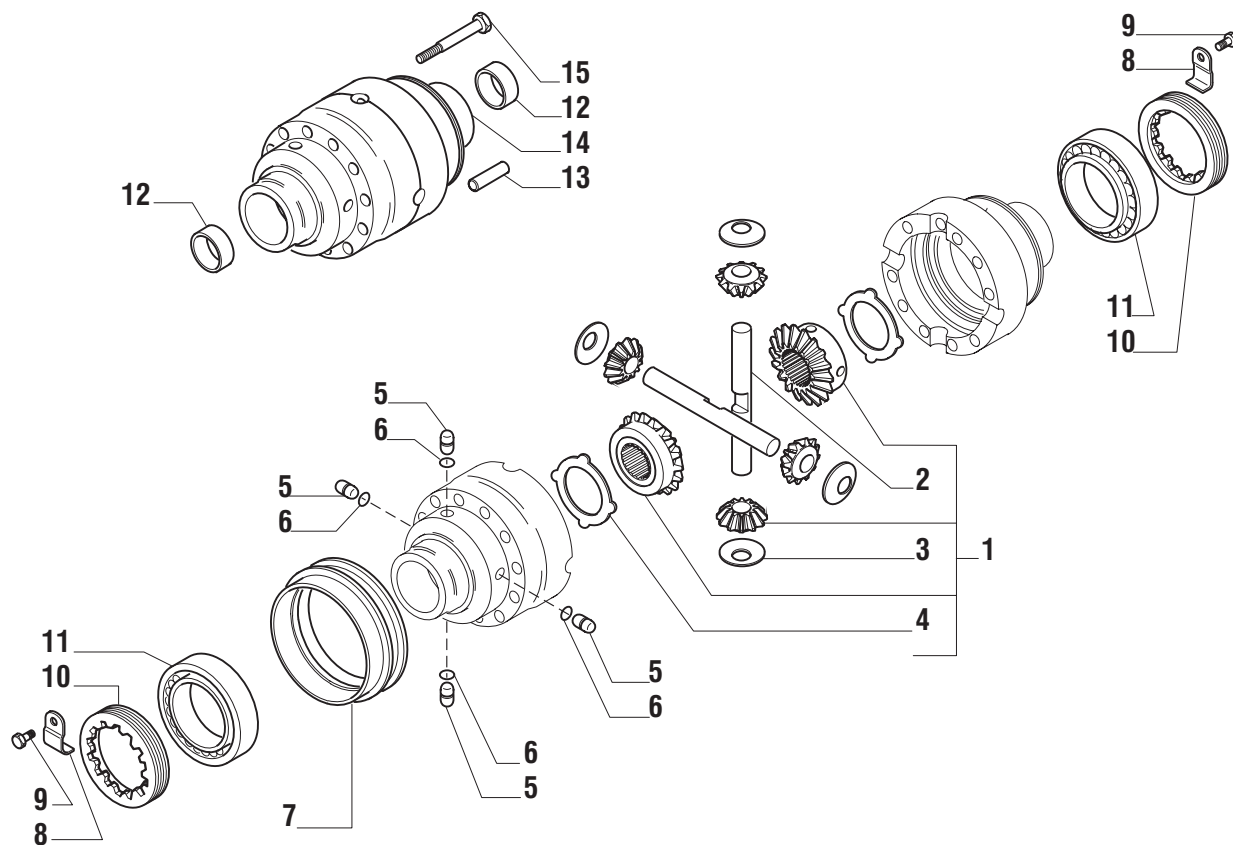
**Il presente catalogo è valido a partire dal N° di matricola 101.  
This catalogue is valid from serial number 101.**



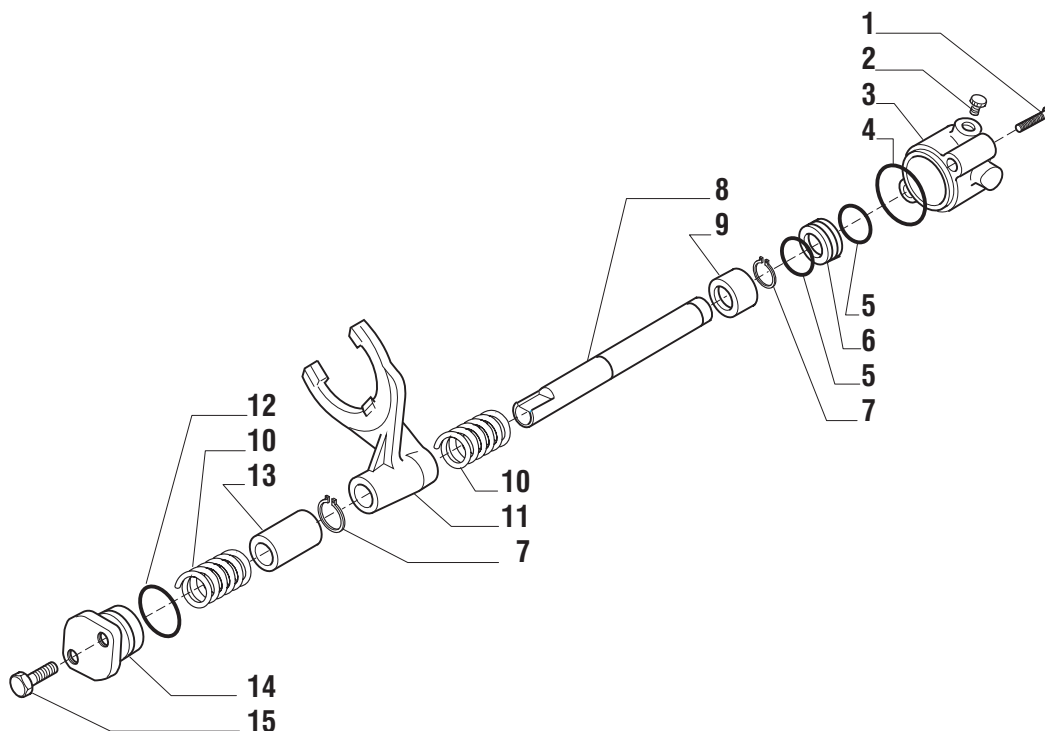
| Pos. | Ref.   | Q.ty | Descrizione             | Description       | Kit | From S/N | To S/N | Note |
|------|--------|------|-------------------------|-------------------|-----|----------|--------|------|
| 1    | 140155 | 1    | Tromba trave SX         | Beam trumpet LH   |     |          |        |      |
| 2    | 021558 | 2    | Tappo M10x1             | Plug M10x1        |     |          |        |      |
| 3    | 125280 | 2    | Tappo M30x2             | Plug M30x2        |     |          |        |      |
| 4    | 028562 | 4    | Anello OR               | O.ring            |     |          |        |      |
| 5    | 146121 | 1    | Cilindro freno SX       | Brake cylinder LH |     |          |        |      |
| 6    | 028526 | 2    | Anello OR               | O.ring            |     |          |        |      |
| 7    | 140132 | 1    | Tubo ricircolo aria     | Pipe              |     |          |        |      |
| 8    | 146373 | 1    | Corpo centrale          | Central body      |     |          |        |      |
| 9    | 146122 | 1    | Cilindro freno DX       | Brake cylinder RH |     |          |        |      |
| 10   | 104988 | 1    | Sfiato M10x1            | Breather M10x1    |     |          |        |      |
| 11   | 121618 | 1    | Prolunga sfiato         | Breather pipe     |     |          |        |      |
| 12   | 140157 | 1    | Tromba trave DX         | Beam trumpet RH   |     |          |        |      |
| 13   | 131954 | 2    | Bronzina                | Bush              |     |          |        |      |
| 14   | 025311 | 2    | Anello tenuta           | Seal ring         |     |          |        |      |
| 15   | 021166 | 22   | Vite M14x140            | Bolt M14x140      |     |          |        |      |
| 16   | 021314 | 2    | Vite M12x130            | Bolt M12x130      |     |          |        |      |
| 17   | 030803 | 2    | Tappo                   | Plug              |     |          |        |      |
| 18   | 023838 | 4    | Rivetto 4.8x6           | Rivet 4.8x6       |     |          |        |      |
| 19   | 140647 | 2    | Riga chiusura foro olio | Plate             |     |          |        |      |
| 20   | 028500 | 8    | Anello OR               | O.ring            |     |          |        |      |
| 21   | 116792 | 2    | Sfiato M10x1            | Breather M10x1    |     |          |        |      |



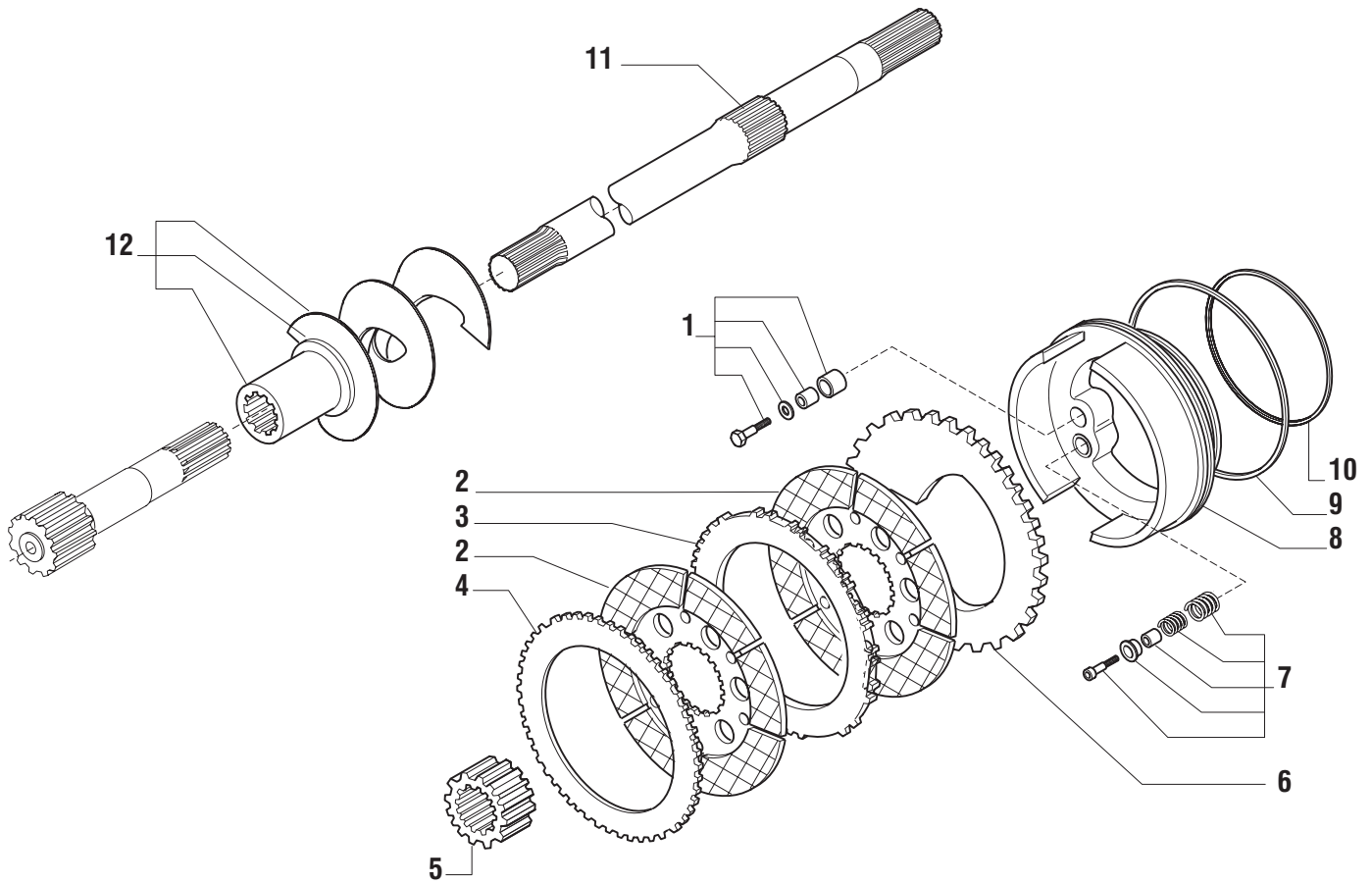
| Pos. | Ref.   | Q.ty | Descrizione               | Description              | Kit    | From S/N | To S/N | Note |
|------|--------|------|---------------------------|--------------------------|--------|----------|--------|------|
| 1    | 066990 | 1    | Kit coppia conica Z=11/32 | Bevelgear/pinion Z=11/32 |        |          |        |      |
| 2    | 113717 | 1    | Rondella fermo ghiera     | Lockwasher               | 066990 |          |        |      |
| 3    | 115054 | 1    | Ghiera M40x1.5            | Ring nut M40x1.5         | 066990 |          |        |      |
| 4    | 125829 | 2    | Rondella                  | Washer                   | 066990 |          |        |      |
| 5    | 138692 | 1    | Distanziale elastico      | Collapsible spacer       | 066990 |          |        |      |
| 6    | 134186 | -    | Spessore 2.50mm           | Shim 2.50mm              |        |          |        |      |
| 6    | 134187 | -    | Spessore 2.60mm           | Shim 2.60mm              |        |          |        |      |
| 6    | 134188 | -    | Spessore 2.70mm           | Shim 2.70mm              |        |          |        |      |
| 6    | 134189 | -    | Spessore 2.80mm           | Shim 2.80mm              |        |          |        |      |
| 6    | 134190 | -    | Spessore 2.90mm           | Shim 2.90mm              |        |          |        |      |
| 6    | 134191 | -    | Spessore 3.00mm           | Shim 3.00mm              |        |          |        |      |
| 6    | 134192 | -    | Spessore 3.10mm           | Shim 3.20mm              |        |          |        |      |
| 6    | 134193 | -    | Spessore 3.20mm           | Shim 3.30mm              |        |          |        |      |
| 6    | 134194 | -    | Spessore 3.30mm           | Shim 3.30mm              |        |          |        |      |
| 6    | 134195 | -    | Spessore 3.40mm           | Shim 3.40mm              |        |          |        |      |
| 7    | 027351 | 1    | Cuscinetto                | Bearing                  |        |          |        |      |
| 8    | 027350 | 1    | Cuscinetto                | Bearing                  |        |          |        |      |
| 9    | 024789 | 1    | Anello seeger D34         | Snap ring D34            |        |          |        |      |
| 10   | 146048 | 1    | Disco freno + flangia     | Brake disc + flange      |        |          |        |      |
| 11   | 145050 | 1    | Anello di tenuta          | Seal ring                |        |          |        |      |
| 12   | 028532 | 1    | Anello OR                 | O.ring                   |        |          |        |      |
| 13   | 123402 | 1    | Rondella                  | Washer                   |        |          |        |      |



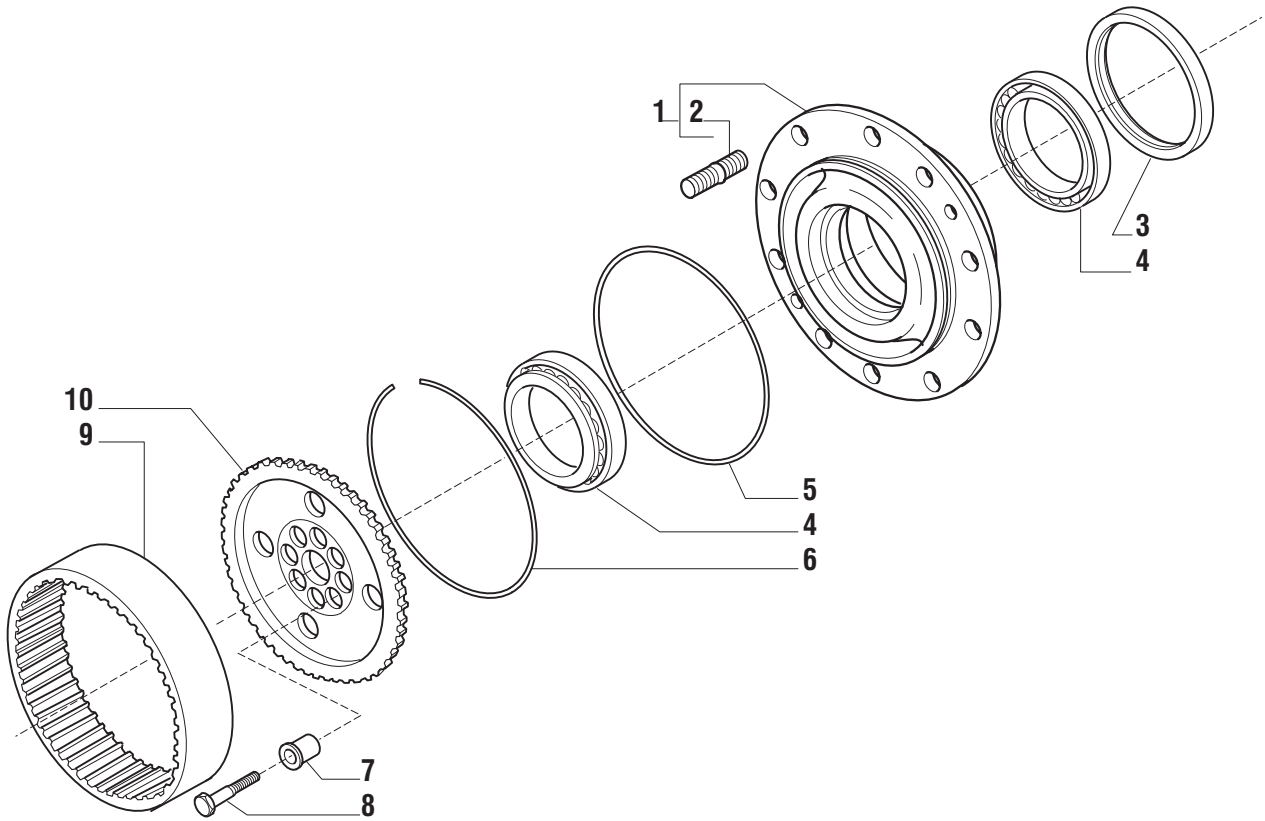
| Pos. | Ref.          | Q.ty | Descrizione             | Description              | Kit           | From S/N | To S/N | Note |
|------|---------------|------|-------------------------|--------------------------|---------------|----------|--------|------|
| 1    | <b>066572</b> | 1    | Kit ingr. differenziale | Differential kit         |               |          |        |      |
| 2    | <b>133035</b> | 2    | Perno                   | Shaft                    | <b>066572</b> |          |        |      |
| 3    | <b>117171</b> | 4    | Rondella spallamento    | Thrust washer            | <b>066572</b> |          |        |      |
| 4    | <b>133036</b> | 2    | Controdisco             | Drive plate              | <b>066572</b> |          |        |      |
| 5    | <b>138651</b> | 4    | Piolo                   | Pin                      |               |          |        |      |
| 6    | <b>028219</b> | 4    | Anello OR               | O.ring                   |               |          |        |      |
| 7    | <b>131592</b> | 1    | Manicotto scorrevole    | Sleeve                   |               |          |        |      |
| 8    | <b>129118</b> | 2    | Fermo ghiera            | Locking plate            |               |          |        |      |
| 9    | <b>128440</b> | 2    | Vite M6x10 (Atbl.)      | Bolt M6x10 (Self lock.)  |               |          |        |      |
| 10   | <b>125445</b> | 2    | Ghiera M104x2           | Ring nut M104x2          |               |          |        |      |
| 11   | <b>027367</b> | 2    | Cuscinetto              | Bearing                  |               |          |        |      |
| 12   | <b>131747</b> | 2    | Bronzina                | Bush                     |               |          |        |      |
| 13   | <b>117569</b> | 2    | Spina D12x40            | Pin D12x40               |               |          |        |      |
| 14   | <b>138654</b> | 1    | Scatola differenziale   | Differential housing     |               |          |        |      |
| 15   | <b>125551</b> | 10   | Vite M12x90 (Atbl.)     | Bolt M12x90 (Self lock.) |               |          |        |      |



| Pos. | Ref.   | Q.ty | Descrizione         | Description | Kit | From S/N | To S/N | Note |
|------|--------|------|---------------------|-------------|-----|----------|--------|------|
| 1    | 020807 | 2    | Vite M8x80          | Bolt M8x80  |     |          |        |      |
| 2    | 030720 | 1    | Tappo               | Plug        |     |          |        |      |
| 3    | 139131 | 1    | Supporto            | Support     |     |          |        |      |
| 4    | 028527 | 1    | Anello OR           | O.ring      |     |          |        |      |
| 5    | 028121 | 2    | Anello OR           | O.ring      |     |          |        |      |
| 6    | 139139 | 1    | Pistone bloc. diff. | Piston      |     |          |        |      |
| 7    | 024776 | 2    | Anello seeger       | Snap ring   |     |          |        |      |
| 8    | 139141 | 1    | Perno               | Shaft       |     |          |        |      |
| 9    | 139140 | 1    | Bussola             | Bush        |     |          |        |      |
| 10   | 125756 | 2    | Molla               | Spring      |     |          |        |      |
| 11   | 138963 | 1    | Forcella            | Fork        |     |          |        |      |
| 12   | 028557 | 1    | Anello OR           | O.ring      |     |          |        |      |
| 13   | 129032 | 1    | Distanziale         | Spacer      |     |          |        |      |
| 14   | 126143 | 1    | Coperchio           | Cover       |     |          |        |      |
| 15   | 020793 | 2    | Vite M8x30          | Bolt M8x30  |     |          |        |      |



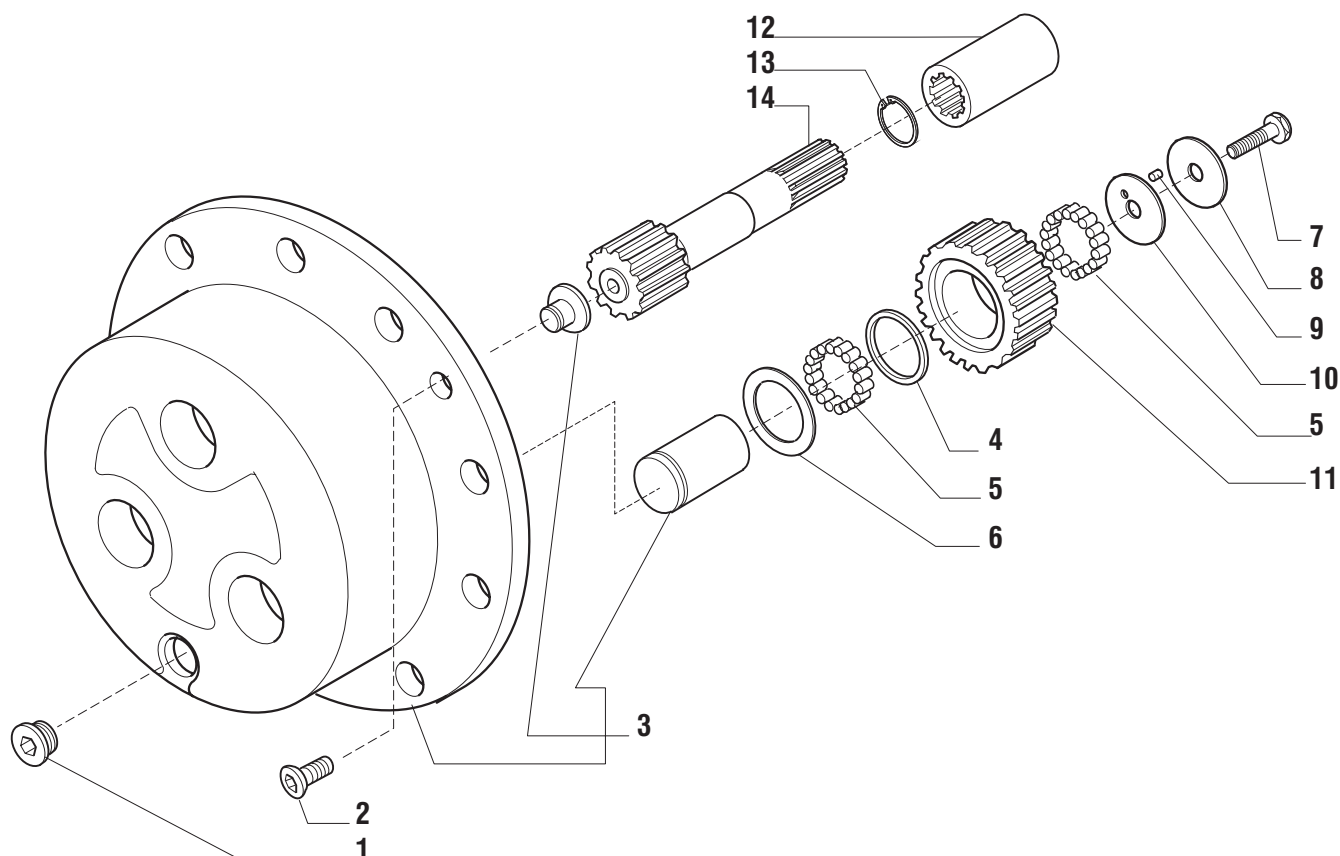
| Pos. | Ref.          | Q.ty | Descrizione        | Description       | Kit | From S/N | To S/N | Note |
|------|---------------|------|--------------------|-------------------|-----|----------|--------|------|
| 1    | <b>066748</b> | 2    | Kit self-adjust    | Self-adjust kit   |     |          |        |      |
| 2    | <b>143874</b> | 4    | Disco freno        | Brake plate       |     |          |        |      |
| 3    | <b>136644</b> | 2    | Controdisco freno  | Brake drive-plate |     |          |        |      |
| 4    | <b>136155</b> | 2    | Controdisco freno  | Brake drive-plate |     |          |        |      |
| 5    | <b>134745</b> | 2    | Mozzo traino freno | Hub               |     |          |        |      |
| 6    | <b>134740</b> | 2    | Controdisco freno  | Brake drive-plate |     |          |        |      |
| 7    | <b>066616</b> | 2    | Kit self-adjust    | Self-adjust kit   |     |          |        |      |
| 8    | <b>141259</b> | 2    | Pistone freno      | Brake piston      |     |          |        |      |
| 9    | <b>133757</b> | 2    | Anello Quadring    | Quadring          |     |          |        |      |
| 10   | <b>139231</b> | 2    | Anello Quadring    | Quadring          |     |          |        |      |
| 11   | <b>138737</b> | 2    | Semiasse           | Half-shaft        |     |          |        |      |
| 12   | <b>138947</b> | 1    | Coclea elica DX    | Auger RH          |     |          |        |      |
| 12   | <b>138949</b> | 1    | Coclea elica SX    | Auger LH          |     |          |        |      |



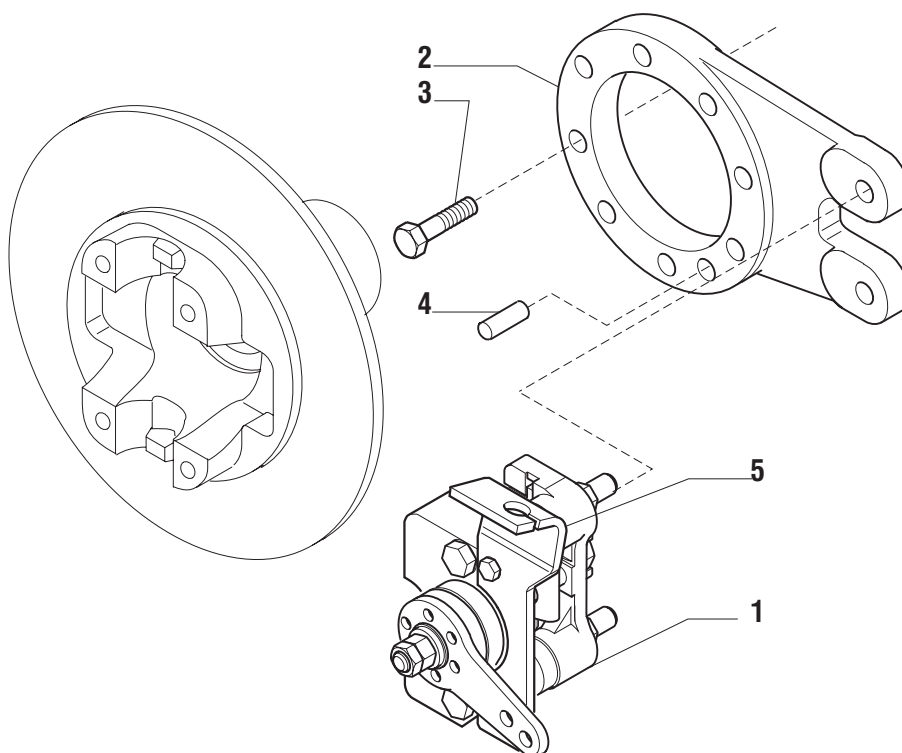
| Pos. | Ref.          | Q.ty | Descrizione              | Description    | Kit           | From S/N | To S/N | Note |
|------|---------------|------|--------------------------|----------------|---------------|----------|--------|------|
| 1    | <b>066943</b> | 1    | Kit mozzo ruota          | Wheel hub assy |               |          |        |      |
| 2    | <b>116957</b> | 10*  | Prigioniero              | Stud           | <b>066943</b> |          |        |      |
| 3    | <b>133267</b> | 2    | Anello tenuta            | Seal ring      |               |          |        |      |
| 4    | <b>118370</b> | 4    | Cuscinetto               | Bearing        |               |          |        |      |
| 5    | <b>028579</b> | 2    | Anello OR                | O.ring         |               |          |        |      |
| 6    | <b>125233</b> | 2    | Anello                   | Ring           |               |          |        |      |
| 7    | <b>125190</b> | 16   | Bussola                  | Bush           |               |          |        |      |
| 8    | <b>119906</b> | 16   | Vite M14x65              | Bolt M14x65    |               |          |        |      |
| 9    | <b>139738</b> | 2    | Corona epicicloidale Z77 | Crown gear Z77 |               |          |        |      |
| 10   | <b>139633</b> | 2    | Mozzo fermo corona       | Wheel carrier  |               |          |        |      |

\* Q.ty valid only for one wheel hub assy.





| Pos. | Ref.   | Q.ty | Descrizione              | Description               | Kit | From S/N | To S/N | Note |
|------|--------|------|--------------------------|---------------------------|-----|----------|--------|------|
| 1    | 125280 | 2    | Tappo M30x2              | Plug M30x2                |     |          |        |      |
| 2    | 020490 | 4    | Vite M8x20               | Bolt M8x20                |     |          |        |      |
| 3    | 066570 | 2    | Kit treno portasatelliti | Planetary carrier assy    |     |          |        |      |
| 4    | 138778 | 6    | Rondella                 | Washer                    |     |          |        |      |
| 5    | 028301 | 37.2 | Rullini (a decine)       | Needle bearings (by tens) |     |          |        |      |
| 6    | 138689 | 6    | Ralla                    | Thrust washer             |     |          |        |      |
| 7    | 125229 | 6    | Vite M10x50              | Bolt M10x50               |     |          |        |      |
| 8    | 138691 | 6    | Ralla                    | Thrust washer             |     |          |        |      |
| 9    | 028370 | 0.6  | Rullini (a decine)       | Needle bearings (by tens) |     |          |        |      |
| 10   | 138690 | 6    | Ralla                    | Thrust washer             |     |          |        |      |
| 11   | 138736 | 6    | Ingranaggio Z31          | Gear Z31                  |     |          |        |      |
| 12   | 131299 | 2    | Bussola                  | Bush                      |     |          |        |      |
| 13   | 024877 | 2    | Anello seeger            | Snap ring                 |     |          |        |      |
| 14   | 138735 | 2    | Semiassa con ingr. Z=13  | Half-shaft with gear Z=13 |     |          |        |      |



| Pos. | Ref.   | Q.ty | Descrizione         | Description   | Kit | From S/N | To S/N | Note |
|------|--------|------|---------------------|---------------|-----|----------|--------|------|
| 1    | 146047 | 1    | Pinza freno         | Brake caliper |     |          |        |      |
| 2    | 141991 | 1    | Flangia pinza freno | Flange        |     |          |        |      |
| 3    | 020921 | 8    | Vite M12x35         | Screw M12x35  |     |          |        |      |
| 4    | 121710 | 1    | Spina D12x25        | Pin D12x25    |     |          |        |      |
| 5    | 146374 | 1    | Supporto cavo       | Cable bracket |     |          |        |      |
|      |        |      |                     |               |     |          |        |      |
|      |        |      |                     |               |     |          |        |      |
|      |        |      |                     |               |     |          |        |      |
|      |        |      |                     |               |     |          |        |      |
|      |        |      |                     |               |     |          |        |      |
|      |        |      |                     |               |     |          |        |      |
|      |        |      |                     |               |     |          |        |      |
|      |        |      |                     |               |     |          |        |      |
|      |        |      |                     |               |     |          |        |      |
|      |        |      |                     |               |     |          |        |      |
|      |        |      |                     |               |     |          |        |      |
|      |        |      |                     |               |     |          |        |      |
|      |        |      |                     |               |     |          |        |      |
|      |        |      |                     |               |     |          |        |      |
|      |        |      |                     |               |     |          |        |      |
|      |        |      |                     |               |     |          |        |      |

| Kit ref.      | Ref.   | Descrizione              | Description               | Q.ty | From S/N | To S/N | Note |
|---------------|--------|--------------------------|---------------------------|------|----------|--------|------|
| <b>066990</b> | -      | Kit coppia conica        | Bevel gear/Pinion set     | -    |          |        |      |
| -             | -      | Coppia conica Z=11/32    | Bevel gear/Pinion Z=11/32 | 1    |          |        |      |
| -             | 138692 | Distanziale elastico     | Collapsible spacer        | 1    |          |        |      |
| -             | 125829 | Rondella 50x40.5x2       | Washer 50x40.5x2          | 2    |          |        |      |
| -             | 113717 | Rondella fermo ghiera    | Lockwasher                | 1    |          |        |      |
| -             | 115054 | Ghiera serraggio M40x1.5 | Ring nut M44x1.5          | 1    |          |        |      |
| <b>066572</b> | -      | Kit ingr. differenziale  | Differential kit          | -    |          |        |      |
| -             | 117171 | Rondella spallamento     | Thrust washer             | 4    |          |        |      |
| -             | 133035 | Perno                    | Shaft                     | 2    |          |        |      |
| -             | 133036 | Controdisco              | Drive plate               | 2    |          |        |      |
| -             | -      | Ingranaggio Z12          | Gear Z12                  | 4    |          |        |      |
| -             | -      | Ingranaggio Z18          | Gear Z18                  | 1    |          |        |      |
| -             | -      | Ingranaggio Z18          | Gear Z18                  | 1    |          |        |      |
| <b>066616</b> | -      | Kit self-adjust          | Self-adjust kit           | -    |          |        |      |
| -             | -      | Vite M6x35               | Bolt M6x35                | 3    |          |        |      |
| -             | -      | Boccola                  | Bush                      | 3    |          |        |      |
| -             | -      | Coperchio                | Cover                     | 3    |          |        |      |
| -             | -      | Molla                    | Spring                    | 3    |          |        |      |
| -             | -      | Molla                    | Spring                    | 3    |          |        |      |
| <b>066748</b> | -      | Kit self-adjust          | Self-adjust kit           | -    |          |        |      |
| -             | -      | Vite M6x35               | Bolt M6x35                | 3    |          |        |      |
| -             | -      | Boccola                  | Bush                      | 3    |          |        |      |
| -             | -      | Spina                    | Pin                       | 3    |          |        |      |
| -             | -      | Rondella                 | Washer                    | 3    |          |        |      |
| <b>066943</b> | -      | Kit mozzo ruota          | Wheel hub kit             | -    |          |        |      |
| -             | -      | Mozzo ruota              | Wheel hub                 | 1    |          |        |      |
| -             | 116957 | Prigioniero              | Stud                      | 10   |          |        |      |
| <b>066570</b> | -      | Kit treno portasatelliti | Wheel carrier assy        | -    |          |        |      |
| -             | -      | Treno portasatelliti     | Wheel carrier             | 1    |          |        |      |
| -             | -      | Perno                    | Shaft                     | 3    |          |        |      |
| -             | -      | Pattino d'arresto        | Pad                       | 1    |          |        |      |