

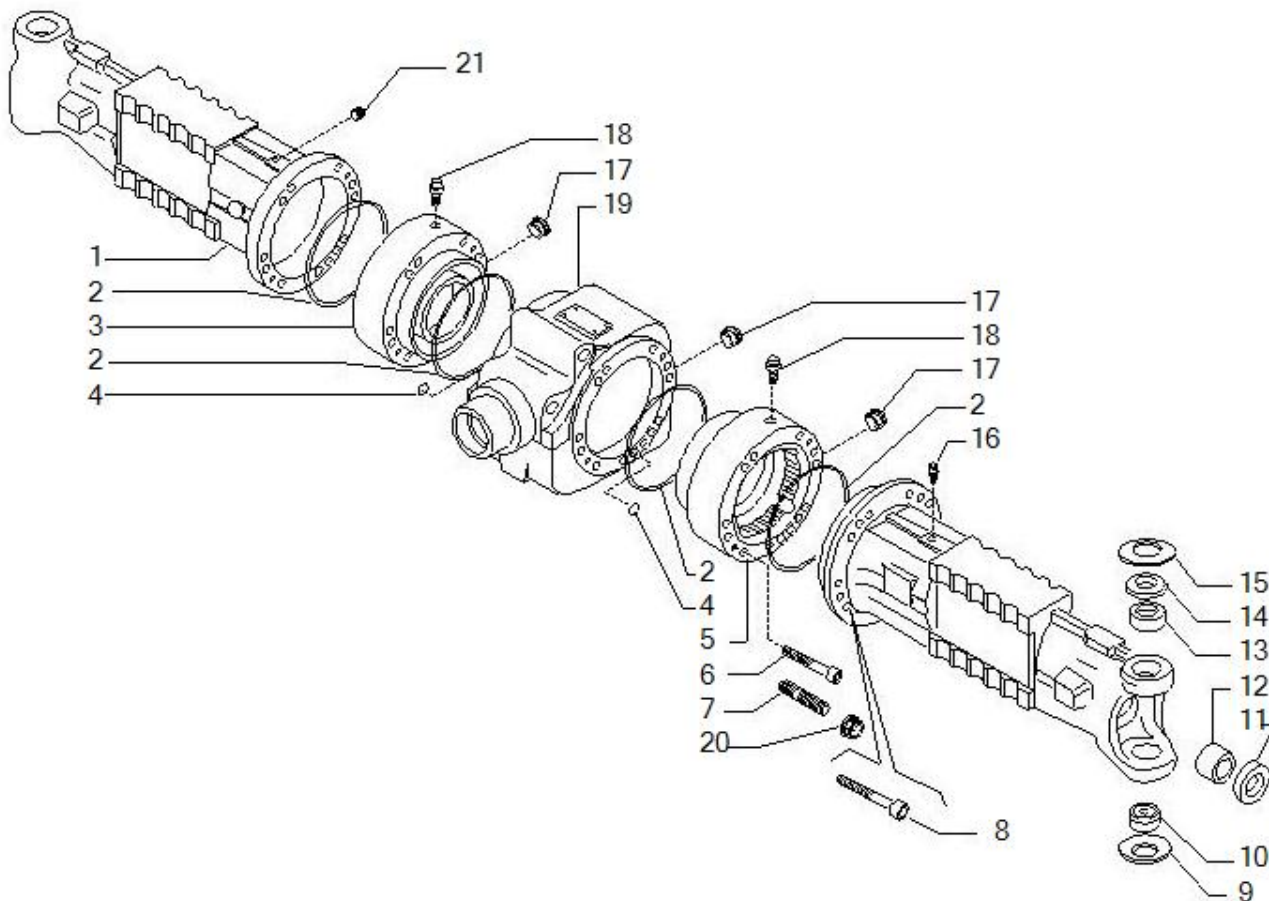


Spare parts catalogue

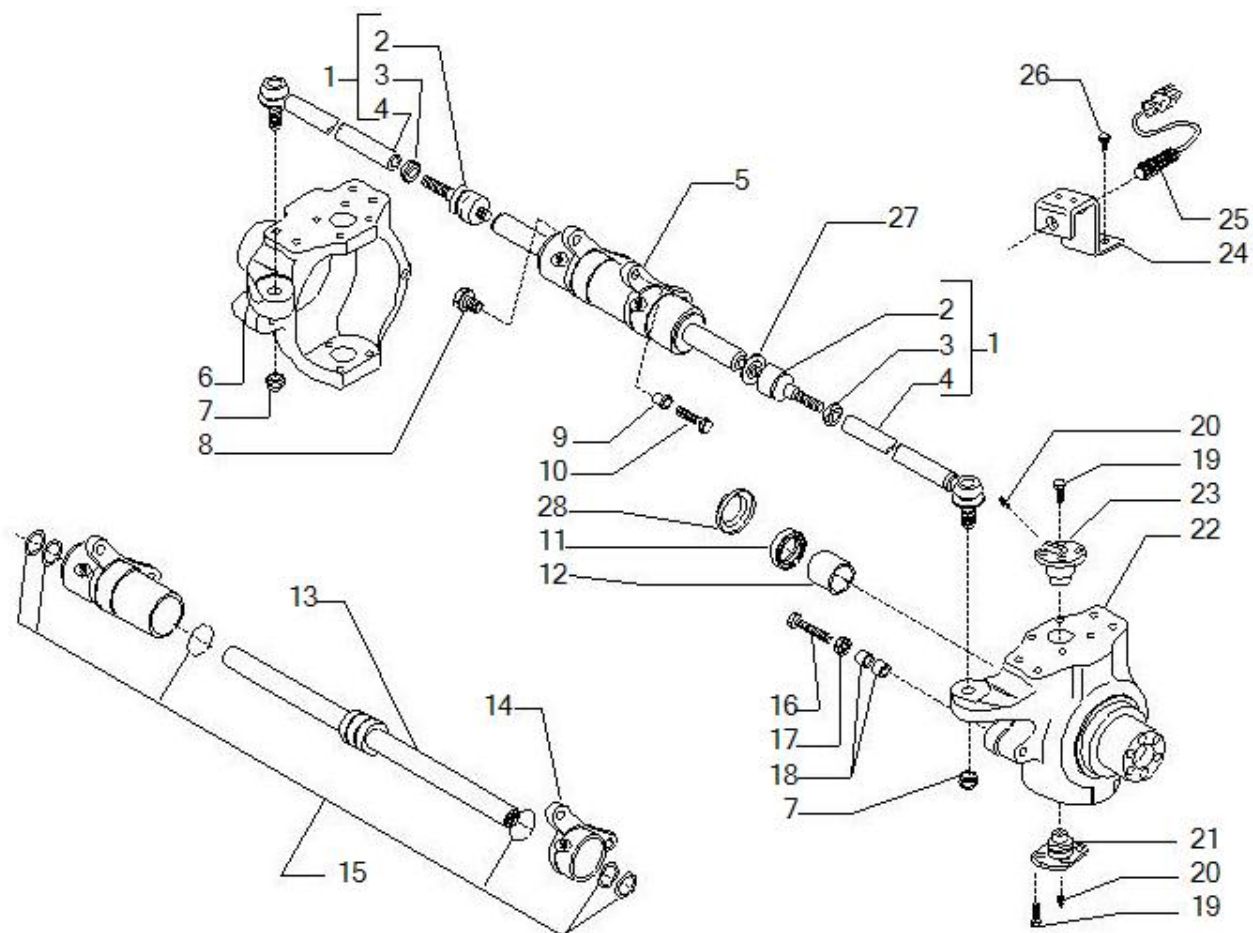
AXLE 26.32M_(CM9527)

REF: 146950

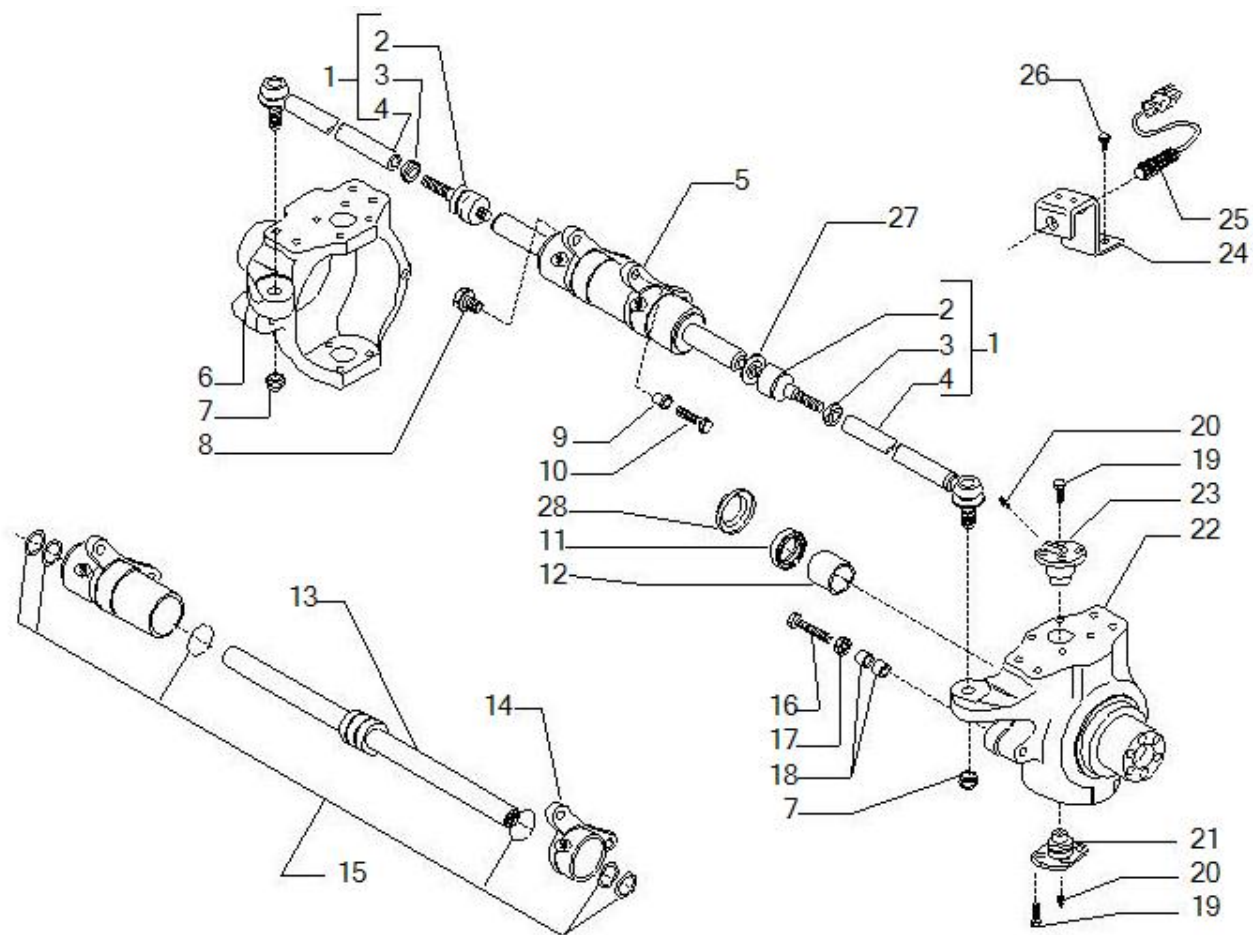
- 1.1 Axle housing**
- 2.1 Swivel housings and steering cylinder**
- 3.1 Bevel gear set**
- 4.1 Double U-joint**
- 5.1 Brakes**
- 6.1 Wheel hub**
- 7.1 Final reduction**



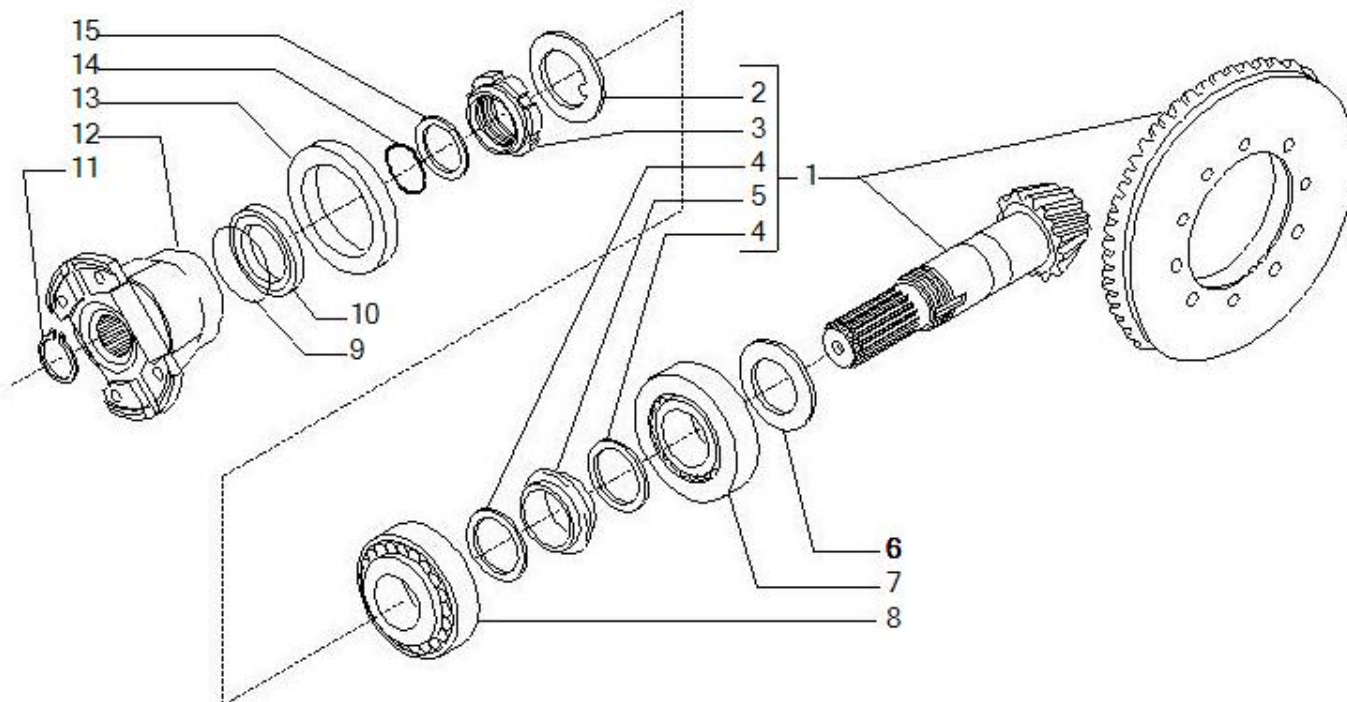
Pos	Ref	Qty	Description	Kit	Note
1	145057	2	BEAM TRUMPET		
2	028562	4	O.ring		
3	140330	1	BRAKE CYLINDER LH (010755)		
4	028111	2	O.ring		
5	140329	1	BRAKE CYLINDER RH (010755)		
6	021334	2	Bolt M12x110		
7	139147	2	BOLT 12.9 L172		
8	021364	22	Bolt M16x150		
9	128631	2	BELLEVILLE WASHER 76X56.5		
10	045160	2	Spherical bearing		
11	126403	2	SEAL RING 40X60X18.5		
12	116962	2	BUSHING AB C 40X44X35 P		
13	123660	2	BUSHING 45-62-18		
14	131276	2	SHIM REGISTER		
15	128632	2	BELLEVILLE WASHER 90X46X2		
16	104988	1	BREATHER M10X1		
17	125280	3	MAGNETIC PLUG M30X2		
18	116792	2	BREATHER M10X1 105.3246.1		
19	140274	1	BEAM CENTRAL BODY (011673)		
20	022128	2	Nut M16x2		
21	021558	1	Plug M10x1		



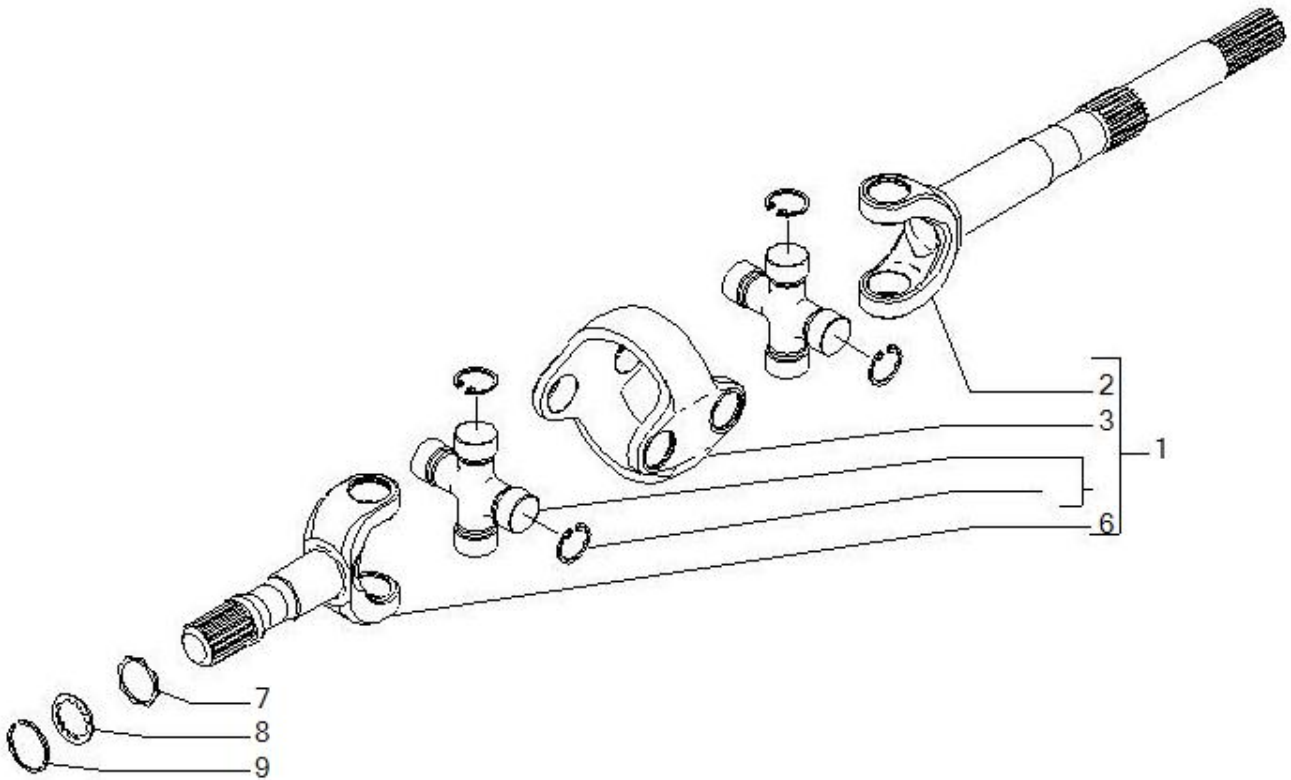
Pos	Ref	Qty	Description	Kit	Note
1	140805	2	STEERING ROD L485		
2	351504	4	BALL JOINT 40/38 RINF.	140805	
3	070787	4	Nut M24x1.5	140805	
4	351974	4	BALL JOINT TIE ROD D.35 DX	140805	
5	137958	1	STEERING CYLINDER		
6	146962	1	SWIVEL HOUSING LH (012899)		
7	022446	2	Nut M24x1.5		
8	135573	2	HEX HEAD SCREW M22X1.5X55		
9	137717	2	CENTERING BUSH MART.		
10	119906	2	SELF-LOCKING SCREW M14X1.		
11	140224	2	SEAL RING 48X65X16.5 SF6		
12	125161	2	BUSHING 48X53X40		
13	049078	1	Rod	137958	
14	049077	1	Cylinder head	137958	
15	049079	1	Oil seal kit	137958	
16	138855	4	HEX HEAD SCREW UNI 5739 M		
17	022129	4	Nut M16		
18	128278	8	BUSH 24.5X16.5X25		
19	126923	16	SELF-LOCKING SCREW M16X2X		
20	024210	4	Greaser nipple		
21	130632	2	SWIVEL HOUSING KING PIN (
22	146961	1	SWIVEL HOUSING RH (012898)		
23	130631	2	SWIVEL HOUSING KING PIN (
24	147459	1	SENSOR BRACKET		
25	139107	1	MAGNETIC SENSOR M10X1		



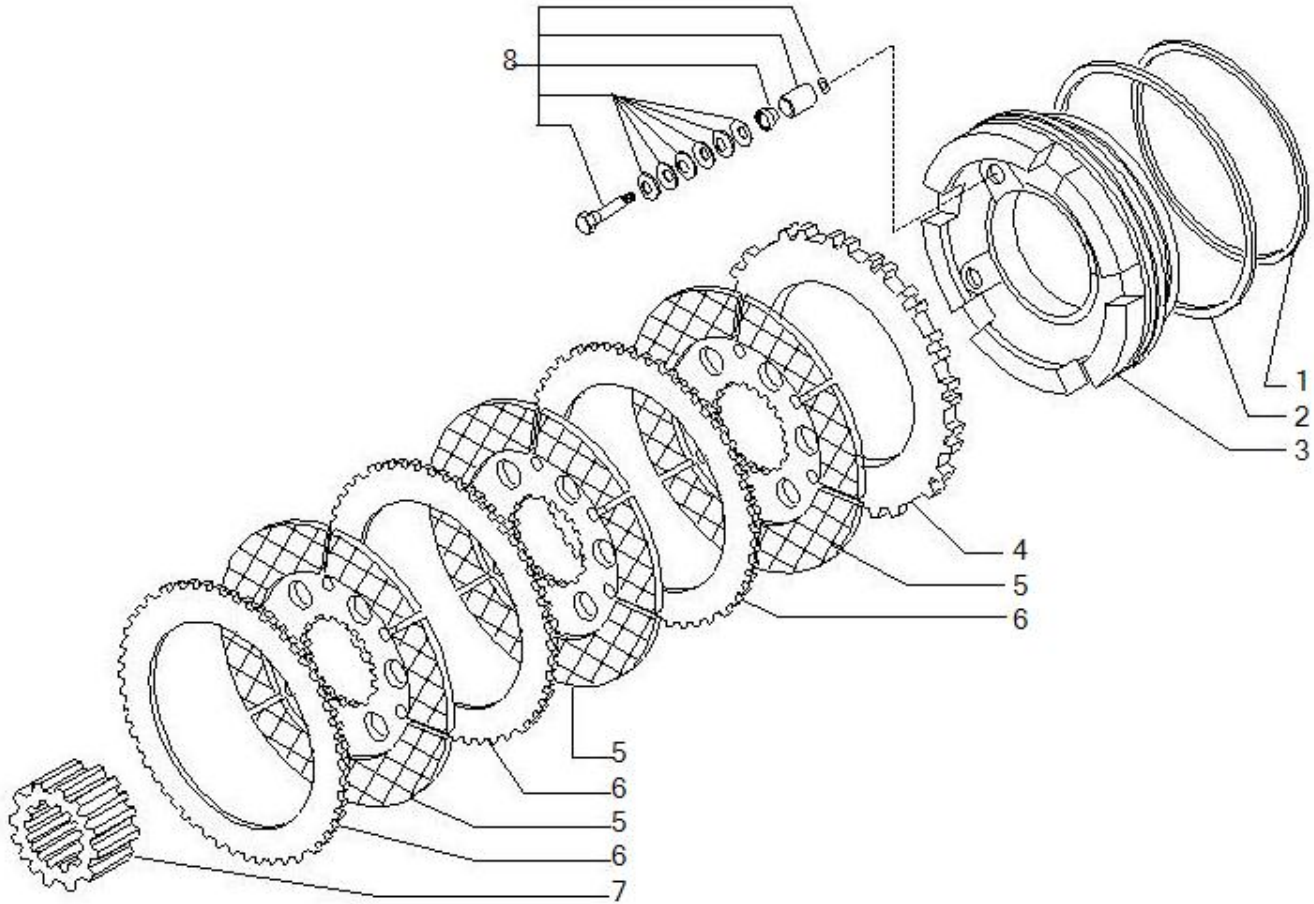
Pos	Ref	Qty	Description	Kit	Note
26	020778	2	Bolt M8x20		
27	139103	1	WASHER		
28	145806	2	COVER PARAOLIO		



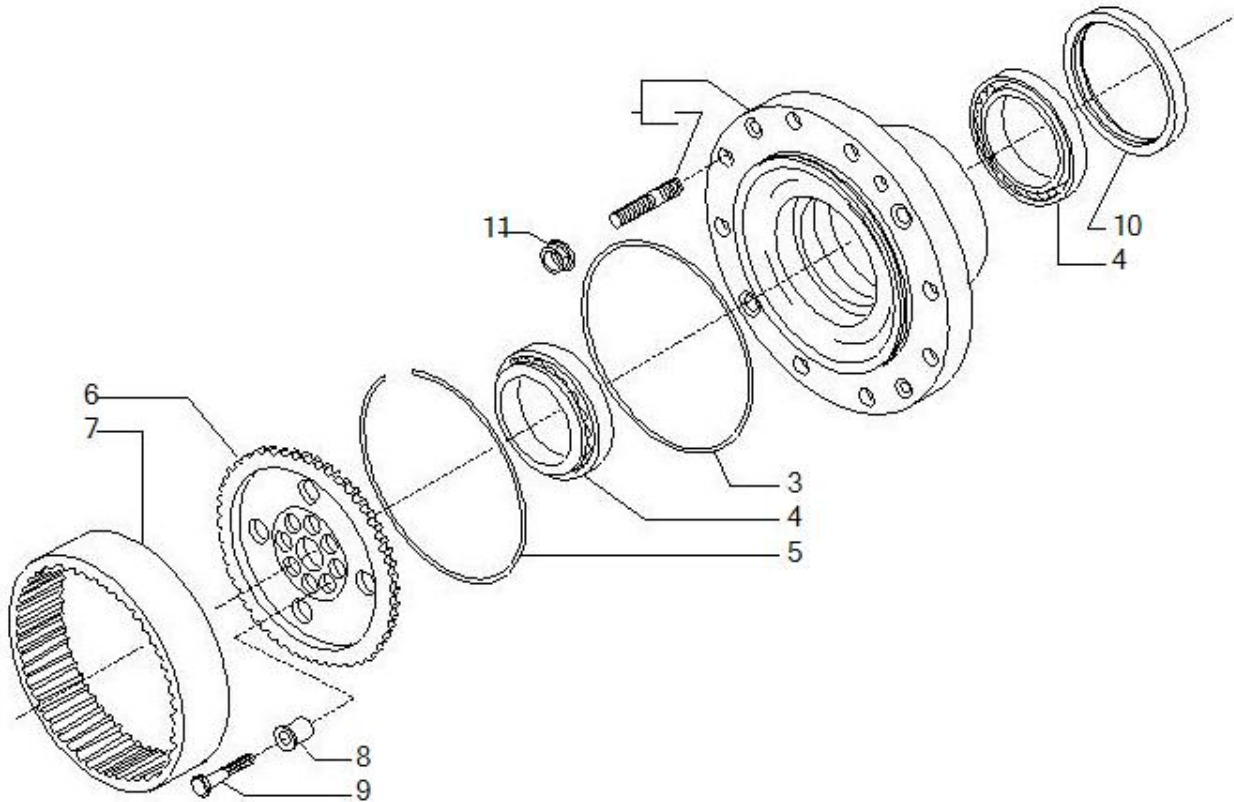
Pos	Ref	Qty	Description	Kit	Note
1	066686	1	Bevel gear/Pinion Z12/33		
2	113717	1	SAFETY WASHER	066686	
3	115054	1	RING NUT M40X1.5	066686	
4	125829	2	THRUST SHOE 40.5X50X2	066686	
5	138692	1	ELASTIC SPACER 45X42X15	066686	
7	027351	1	Bearing		
8	027350	1	Bearing		
9	028523	1	O.ring		
10	137517	1	SPACER 63X35X12.6		
11	024789	1	Snap ring		
12	137959	1	PM FLANGE END YOKE 1410 E		
13	145050	1	CASSETTE RAD.SHAFT SEALX/		
14	028532	1	O.ring		
15	123402	1	WASHER C70 UNI 3545-68A N		



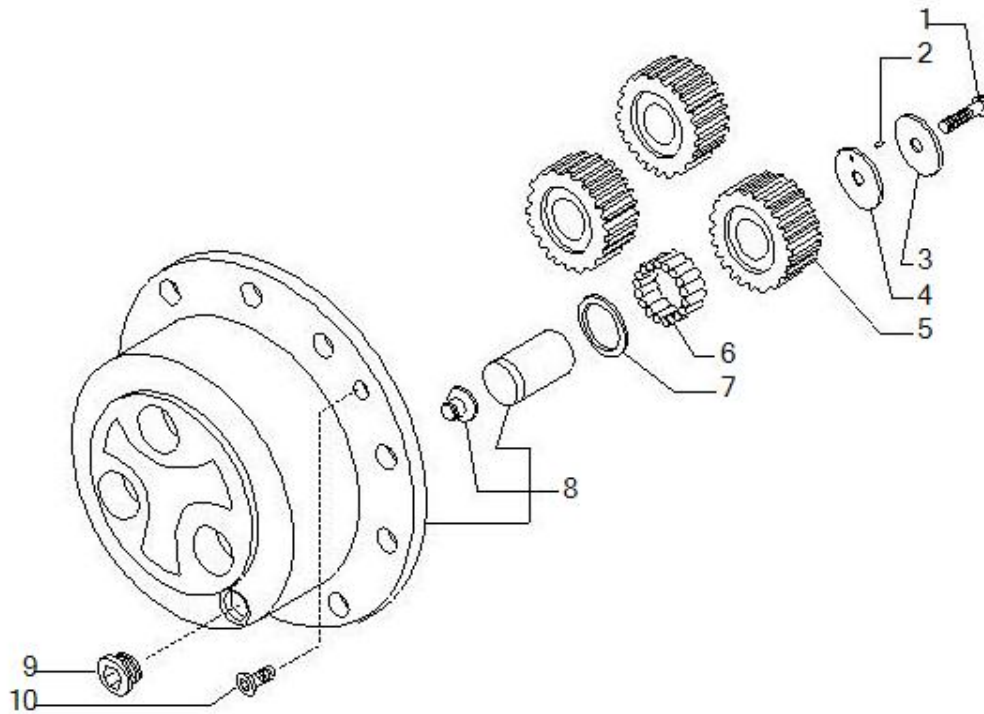
Pos	Ref	Qty	Description	Kit	Note
1	641649	2	DOUBLE U-JOINT B320 55G D		
2	046355	4	Fork (diff. Side)	641649	
3	046172	4	Central body	641649	
4	046221	8	Spider	641649	
5	046222	32	Lockring	641649	
6	044146	4	Half shaft (wheel side)	641649	
7	145553	2	FIFTH WHEEL 47X58X5		
8	146945	2	TOOTHED WASHER 47X54X7		
9	147349	2	RING 41.5X3 F3		



Pos	Ref	Qty	Description	Kit	Note
1	141939	2	O-RING 164.69X3.53		
2	141937	4	O-RING 202.79X3.53 VITON		
3	135966	2	POSITIVE BRAKE PISTON (11		
4	136644	2	COUNTERPLATE BRAKE (11319		
5	136112	6	BRAKE DISC Y 611-2		
6	136155	6	COUNTERPLATE BRAKE		
7	136648	2	DISC TOW SLEEVE		
8	066573	2	Kit self adjust		



Pos	Ref	Qty	Description	Kit	Note
	116957	10	STUD R22X2.5 - D22X1.5 -	068051	
1	116957	10	STUD R22X2.5 - D22X1.5 -		
2	068051	2	Wheel hub kit		
3	028579	2	O.ring		
4	141591	4	TAPE ROLLER THRUST BEARIN		
5	125233	2	CIRCLIP 238.9X16X3.5		
6	139633	2	EPIC. WHEEL CARRIER HUB (
7	125186	2	EPICYCLOIDAL RING GEAR Z7		
8	125190	16	CENTERING BUSH		
9	119906	16	SELF-LOCKING SCREW M14X1.		
10	047702	2	Seal ring		
11	022381	10	Nut M22x1.5		



Pos	Ref	Qty	Description	Kit	Note
1	125229	6	SELF-LOCKING SCREW M10X1.		
2	028370	6	Bearing needles (by tens)		
3	132319	6	WASHER 11X60X3		
4	125134	6	WASHER 11X60X3		
5	128714	6	EPIC.PLANETARY GEAR Z31		
6	028297	16.80	Bearing needles(by tens)		
7	128731	6	FIFTH WHEEL 40X60X1.5		
8	066055	2	Wheel carrier assy		
9	125280	2	MAGNETIC PLUG M30X2		
10	020490	4	Bolt		