

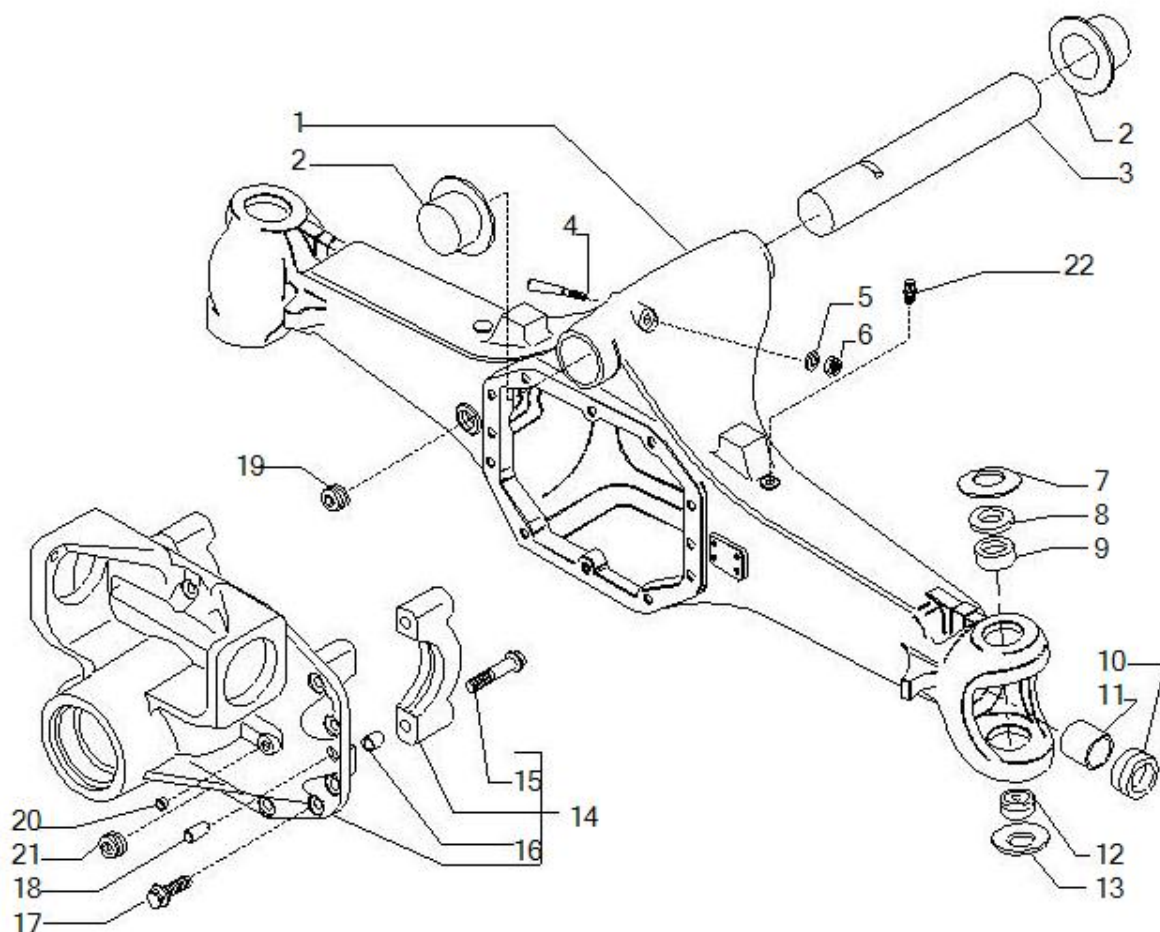


## **Spare parts catalogue**

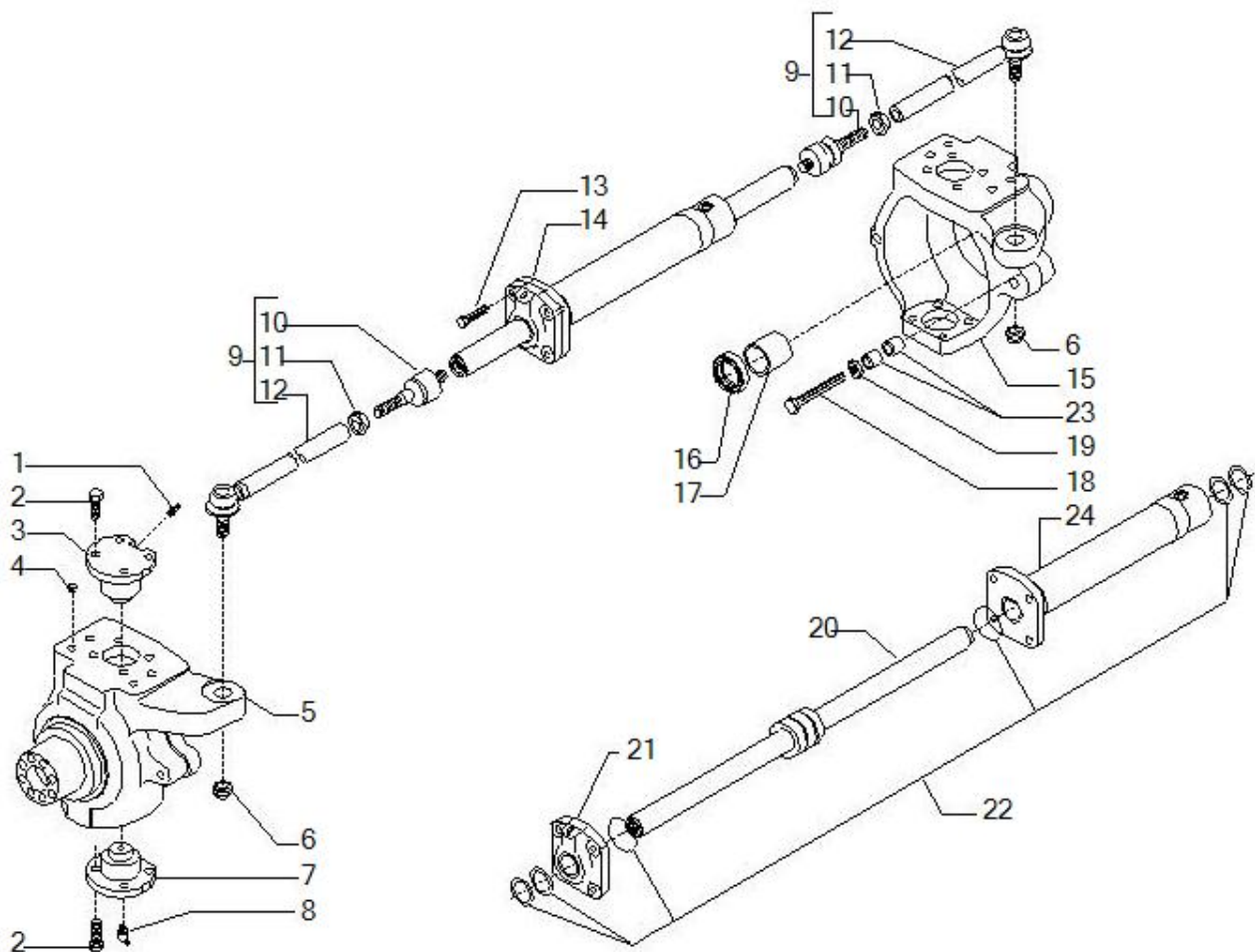
**AXLE 20.49ACP**

**REF: 148304**

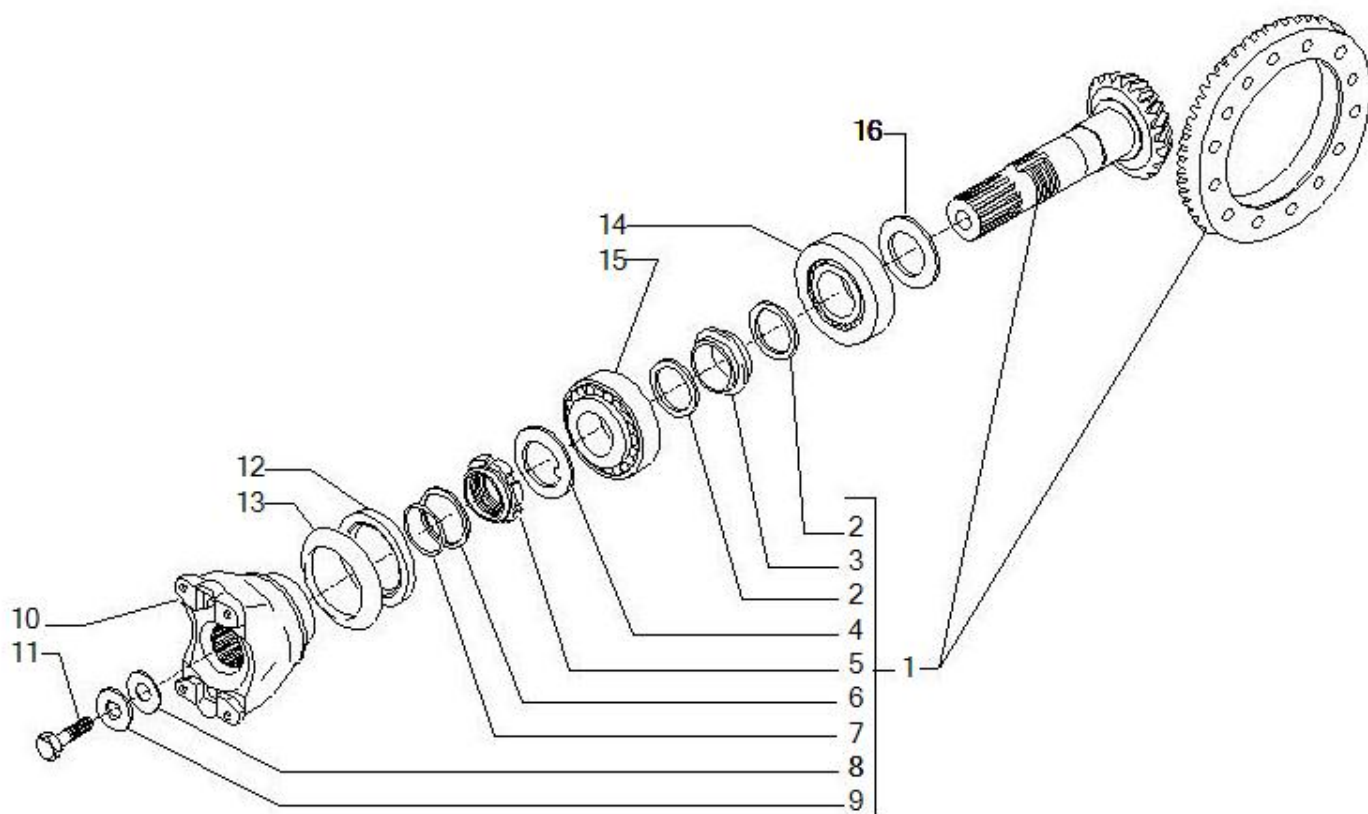
- 1.1 Axle housing**
- 2.1 Swivel housings and steering cylinder**
- 3.1 Bevel gear set**
- 4.1 Differential**
- 5.1 Double U-joint**
- 6.1 Wheel hub**
- 7.1 Final reduction**



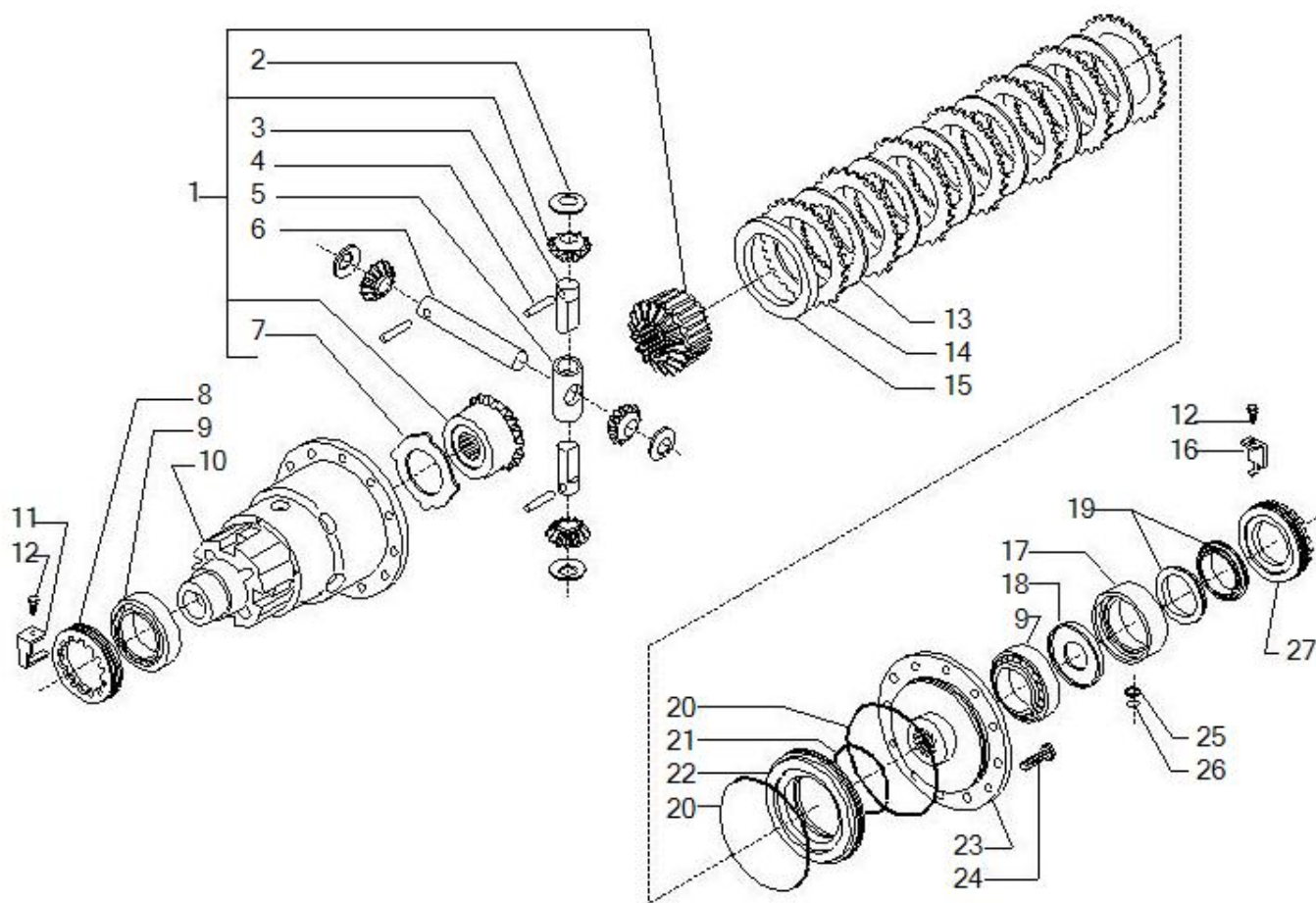
<b>Pos</b>	<b>Ref</b>	<b>Qty</b>	<b>Description</b>	<b>Kit</b>	<b>Note</b>
	94205	4	Centering bush	145112	
	126064	4	HEXAGON SERRATED FLANGE BOLT M16X2X95	145112	
1	145110	1	BEAM SA 20.48 ACP (12629)		
2	144020	2	PROTECTION PIVOT D60		
3	144107	1	PIN		
4	144017	1	PIN		
5	23126	1	Washer		
6	22410	1	Nut		
7	128632	2	BELLEVILLE WASHER 90x46x2.5		
8	131276	2	SHIM REGISTER		
9	123660	2	BUSHING 45-62-18		
10	140499	2	RING SF6 48X74X18.5		
11	123653	2	BUSHING AB C 48-53-58P		
12	45160	2	Spherical bearing		
13	128631	2	BELLEVILLE WASHER 76x56.5x1		
14	145112	1	SUPPORTO DIFF.M.I. 12631		
15	126064	4	HEXAGON SERRATED FLANGE BOLT M16X2X95		
16	94205	4	Centering bush		
17	125827	14	HEX HEAD FLANGE SCREW M12X1.75X29 12.9 C		
18	87660	2	Pin		
19	128050	1	TAPERED PLUG M24X1.5 UNI 5.8		
20	30753	1	Plug D1		
21	92270	1	Oil plug M22x1,5		
22	104988	1	BREATHER M10X1		



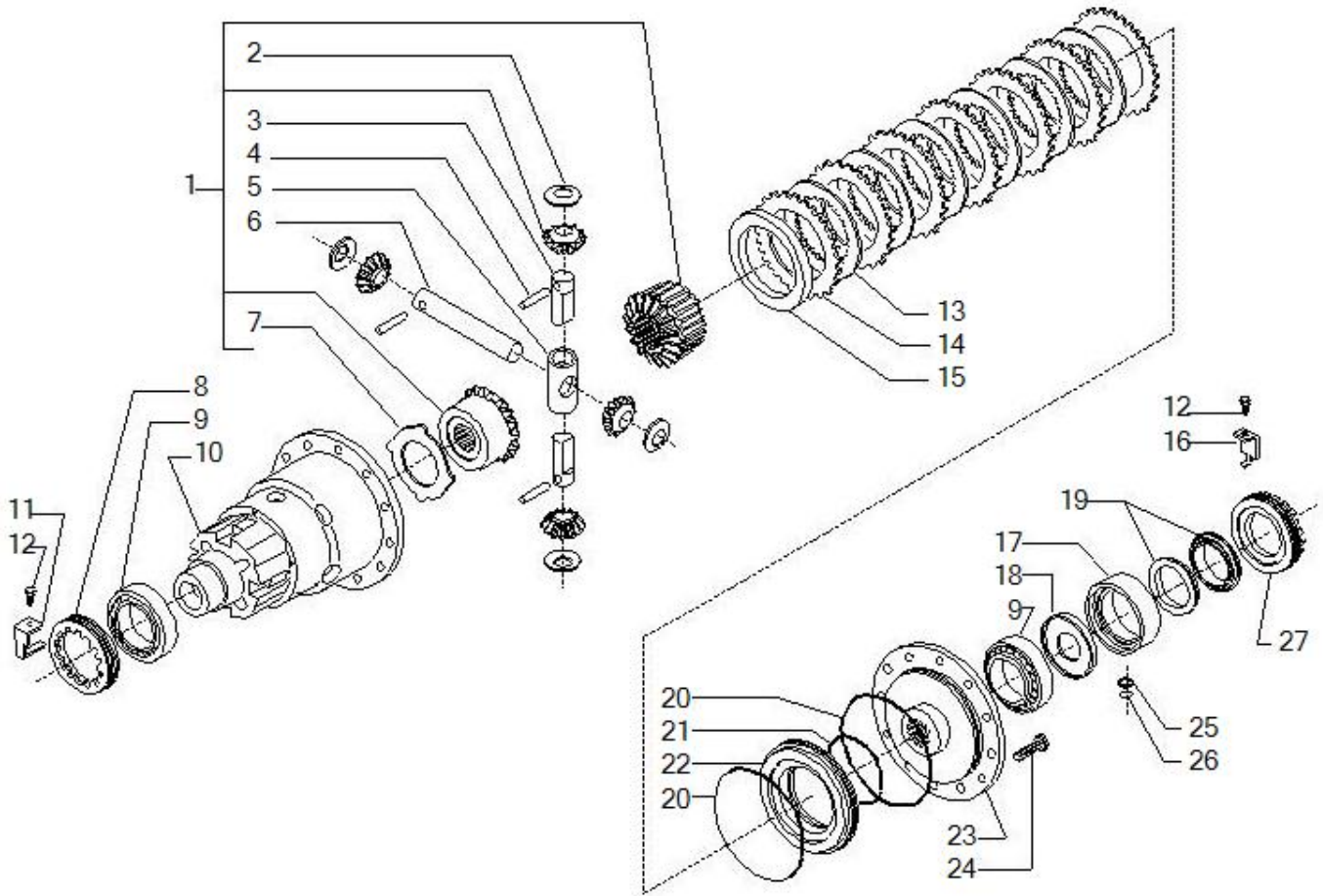
<b>Pos</b>	<b>Ref</b>	<b>Qty</b>	<b>Description</b>	<b>Kit</b>	<b>Note</b>
1	24210	2	LUBRIFICATING NIPPLES UNI 7663 A M6X16		
2	126923	16	SELF-LOCKING SCREW M16X2X38 10.9 ACCIAIO		
3	130631	2	SWIVEL HOUSING KING PIN (17599)		
4	30755	8	Plug D14.5		
5	145115	1	CALOTTA SX 12633		
6	22446	2	Nut M24x1.5		
7	130632	2	SWIVEL HOUSING KING PIN (17596)		
8	24211	2	Greaser nipple M6x1		
9	145466	2	STEERING ROD		
10	351504	4	BALL JOINT 40/38 RINF.	145466	
11	70787	4	Nut M24x1.5	145466	
12	352343	4	SNODO TIRANTE D.35 L-238	145466	
13	128534	4	SELF-LOCKING SCREW M12X45 10.9		
14	145128	1	STEERING CYLINDER IN 80-40-276		
15	145116	1	CALOTTA DX 12634		
16	139420	2	COMBI RING 58X82X16 SF6 FKM		
17	141887	2	BUSHING		
18	138855	2	HEX HEAD SCREW UNI 5739 M16X130 FERMO ST		
19	22129	2	HEXAGON NUT UNI 5589 M16 8		
20	49956	1	Rod	145128	
21	49955	1	Cylinder head	145128	
22	49954	1	Seals kit	145128	
23	143038	4	BUSH		
24	49957	1	Cylinder	145128	



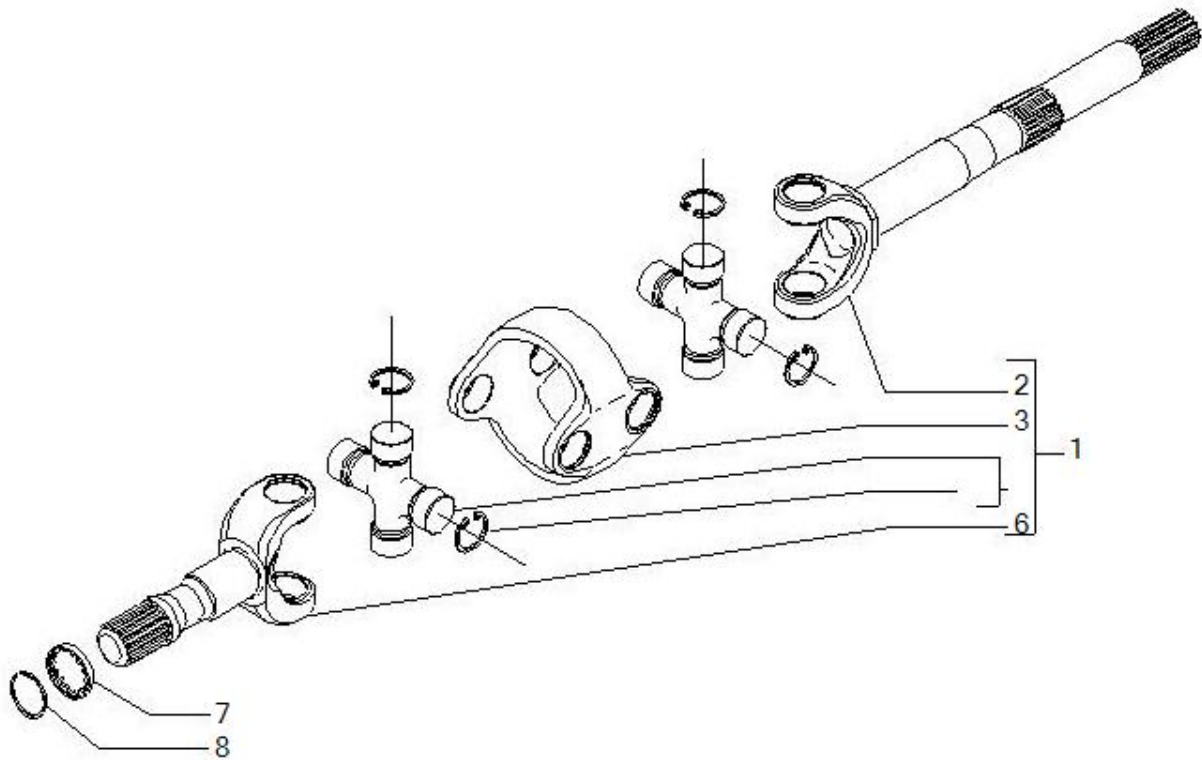
Pos	Ref	Qty	Description	Kit	Note
1	68225	1	Bevel gear set Z12/40		
2	125831	2	SHIM 55X45.5X2	68225	
3	125808	1	ELASTIC SPACER 50X47X22.2	68225	
4	125545	1	RING NUT STOP	68225	
5	117140	1	RING NUT M45X1.5 ACCIAIO 8.8 UNI 3740-74	68225	
6	140185	1	WASHER Washer 40X51X3 C70 40.5-47 HRC	68225	
7	28521	1	O.ring	68225	
9	123921	1	WASHER 12.5X44X5	68225	
10	144733	1	PM FLANGE MECHANICS 5C		
11	123918	1	SELF-LOCKING SCREW M12X1.25X25 10.9		
12	132193	1	SEAL RING 65X105X14 BA VISLDRWX67		
13	132208	1	COVER		
14	145578	1	TAPE ROLLER THRUST BEARING 110X50X29.25		
15	145577	1	TAPE ROLLER THRUST BEARING 100X45X27.25		



<b>Pos</b>	<b>Ref</b>	<b>Qty</b>	<b>Description</b>	<b>Kit</b>	<b>Note</b>
1	68033	1	Differential kit		
2	117171	4	SPHERICAL WASHER 25.22X60	68033	
3	140220	2	DIFF.PLANET.GEAR PIN L72 D25	68033	
4	70273	3	PARALLEL PIN 7X65 TRAT. C40	68033	
5	140221	1	DIFFERENTIAL SPIDER	68033	
6	140222	1	DIFF.PLANET.GEAR PIN L169 D25	68033	
7	140214	1	COUNTERPLATE Diff. locking SP1.3 LD22121	68033	
8	140524	1	RING NUT (011959) M114X2		
9	27343	2	Tapered bearing		
10	145113	1	DIFFERENTIAL HOUSING 12632		
11	140658	1	RING NUT STOP		
12	128440	2	SELF-LOCKING SCREW M6X10 10.9		
13	145121	6	FRICITION PLATE BL.DIFF.		
14	145122	7	COUNTERPLATE		
15	145565	1	SPACER 149.5X110X9.3		
16	140659	1	RING NUT STOP		
17	140249	1	SPACER 109.9X75.5X25		
18	140250	1	WASHER		
19	140248	2	SEAL RING VARISEAL D65		
20	28529	2	O.ring		
21	28533	1	O.ring		
22	145119	1	DIFFERENTIAL LOCKING PISTON 12637		
23	145114	1	DIFFERENTIAL HOUSING COVER (13255)		
24	127925	12	SELF-LOCKING SCREW M14X2X40 10.9		
25	140612	1	WASHER 20.5X16X2.9		

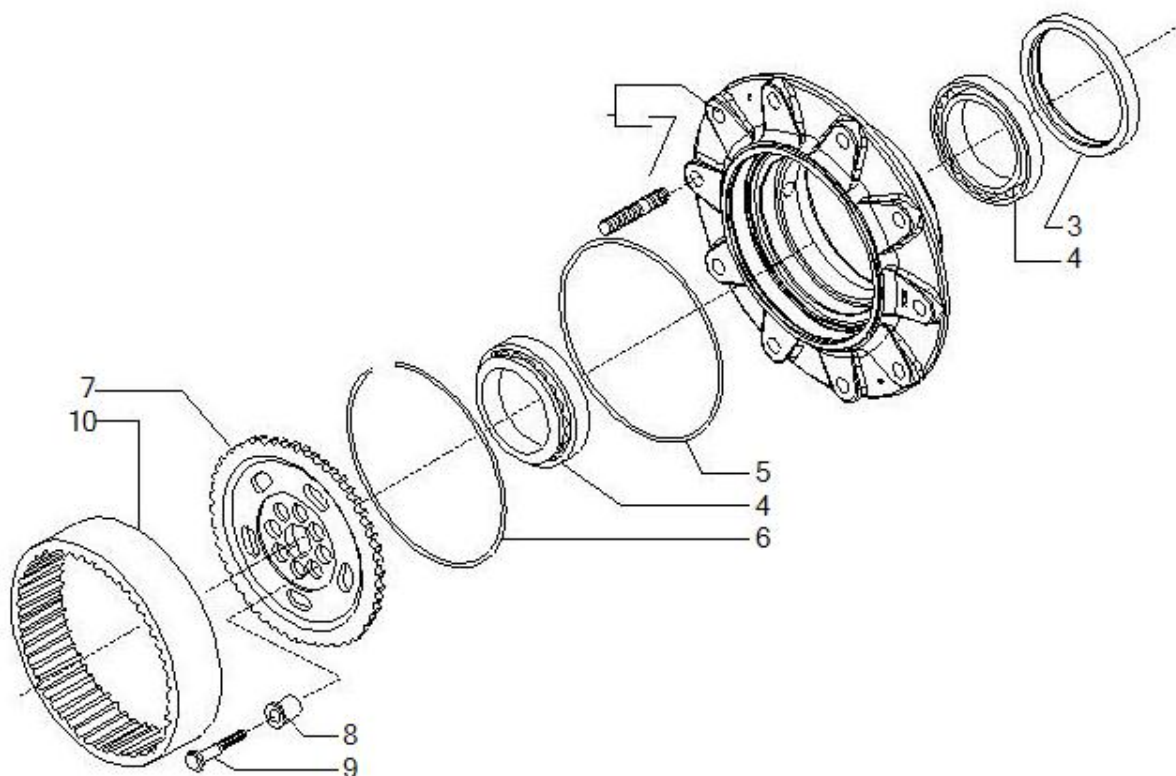


Pos	Ref	Qty	Description	Kit	Note
26	33208	1	O.ring		
27	140657	1	RING NUT M114X2 11958		

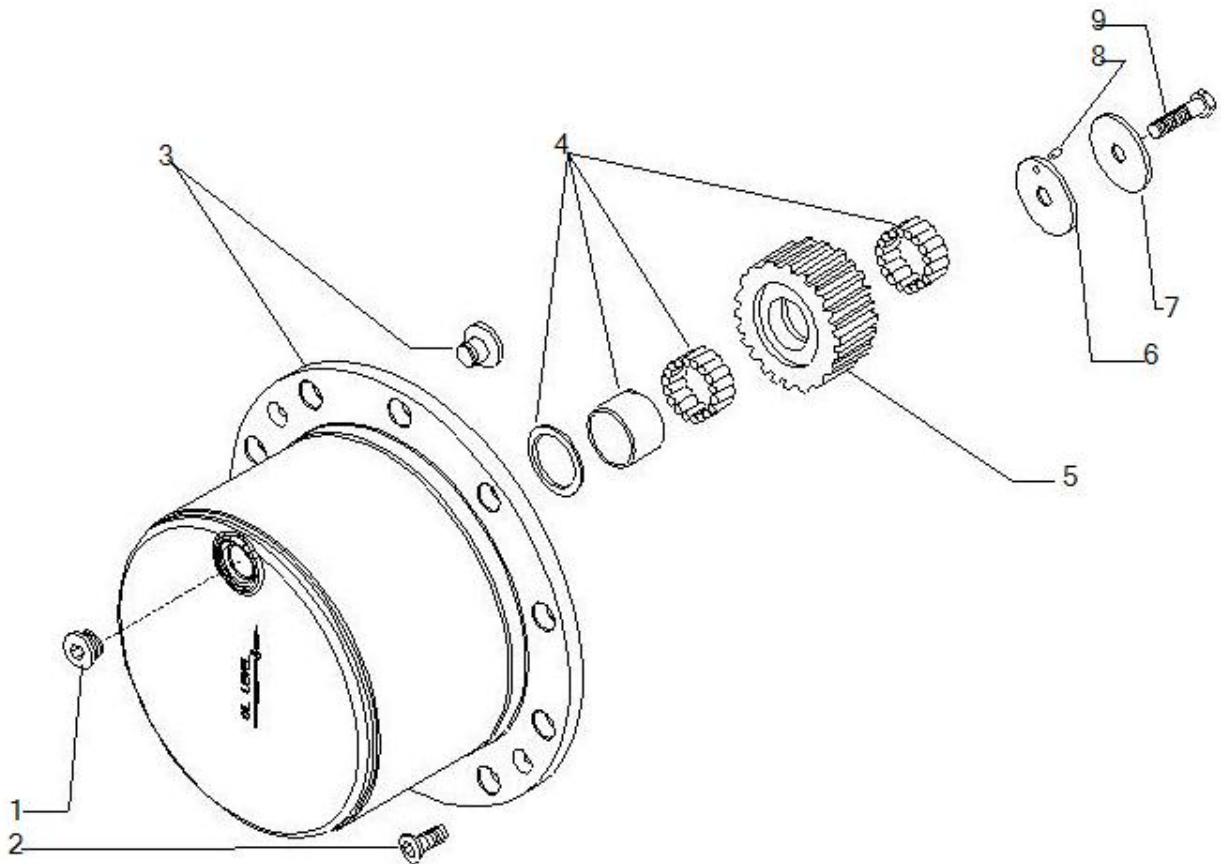


Pos	Ref	Qty	Description	Kit	Note
1	148656	2	DOUBLE U-JOINT B330 55 DPWV		
2	46466	4	Fork (diff. Side)	148656	
3	46454	4	Central body	148656	
4	46453	8	Spider	148656	
5	40877	32	Lock ring	148656	
5	46455	32	Lock ring	148656	
5	46456	32	Lock ring	148656	
5	46457	32	Lock ring	148656	
6	40696	4	Fork (wheel side)	148656	
7	145486	2	TOOTHED WASHER 55X66X8.5		
8	144988	2	SNAP RING T4-47.7-4		





<b>Pos</b>	<b>Ref</b>	<b>Qty</b>	<b>Description</b>	<b>Kit</b>	<b>Note</b>
1	68227	2	Wheel hub kit		
2	150019	40	STUD 10.9 L100 R22X2.5X23.7 D22X1.5X62	68227	
3	140497	2	CASSETTE RAD.SHAFT SEALX/		
4	45909	4	TAPE ROLLER THRUST BEARING JP13049A/JP13		
5	28579	2	O.ring		
6	141886	2	RING F3.5-249-S80		
7	145485	2	EPIC. WHEEL CARRIER HUB		
8	138701	20	CENTERING BUSH		
9	119906	20	SELF-LOCKING SCREW M14X1.5X65 10.9		
10	145782	2	EPICYCLOIDAL RING GEAR		



Pos	Ref	Qty	Description	Kit	Note
1	125280	2	MAGNETIC PLUG M30X2		
2	20490	4	Bolt		
3	68228	2	Planetary carrier assy		
4	147140	6	BEARING		
5	147141	6	EPIC.PLANETARY GEAR Z31 M		
6	147142	6	FIFTH WHEEL 11X65X3.5		
7	147153	6	WASHER 11X65X3.5		
8	28367	0.60	Roller 7x10		
9	125229	6	SELF-LOCKING SCREW M10X1.25X50 10.9		