



CARRARO

Catalogo Parti Di Ricambio

Spare Parts List

ASSALE 26.43M

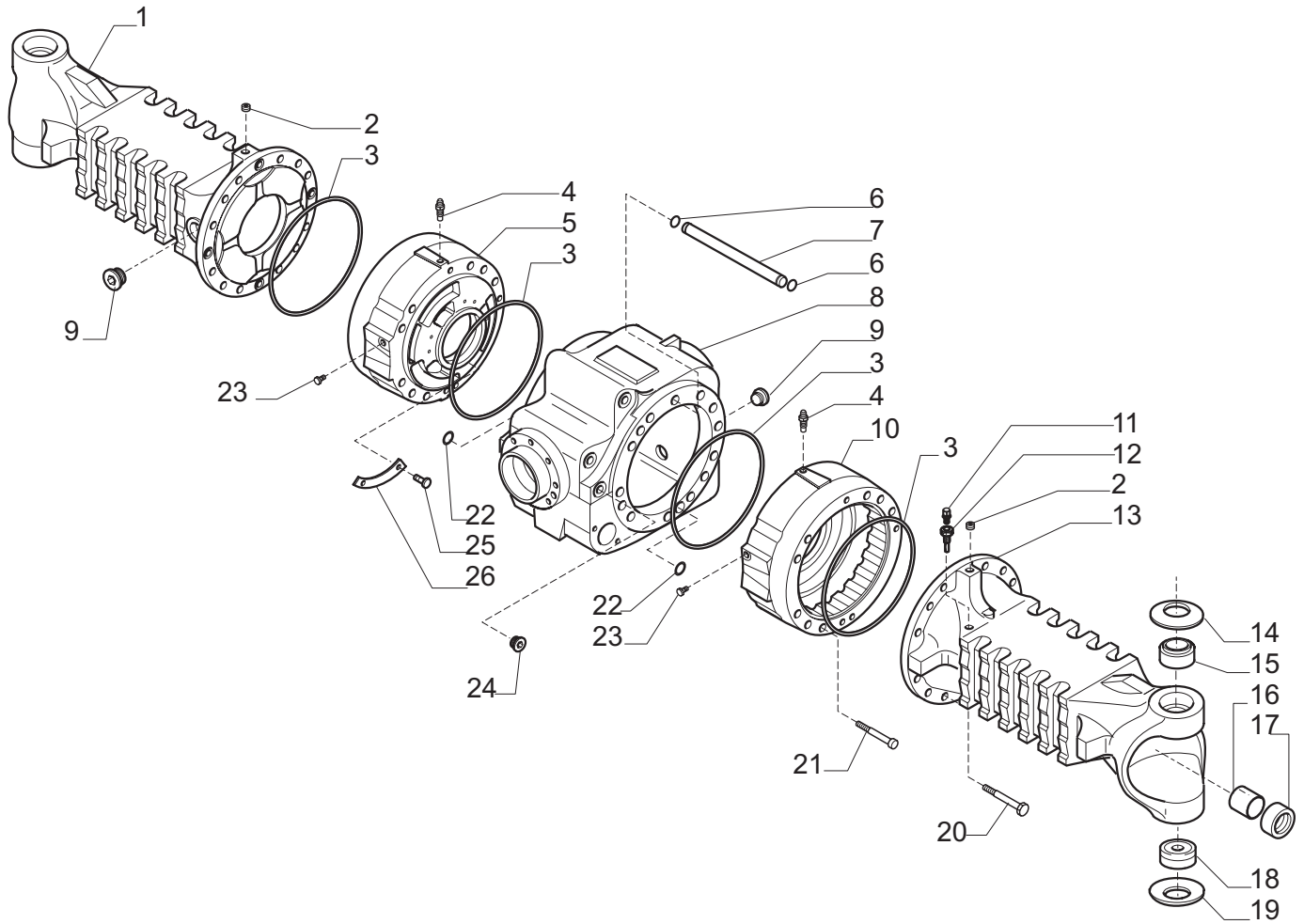
26.43M AXLE

REF. 148405

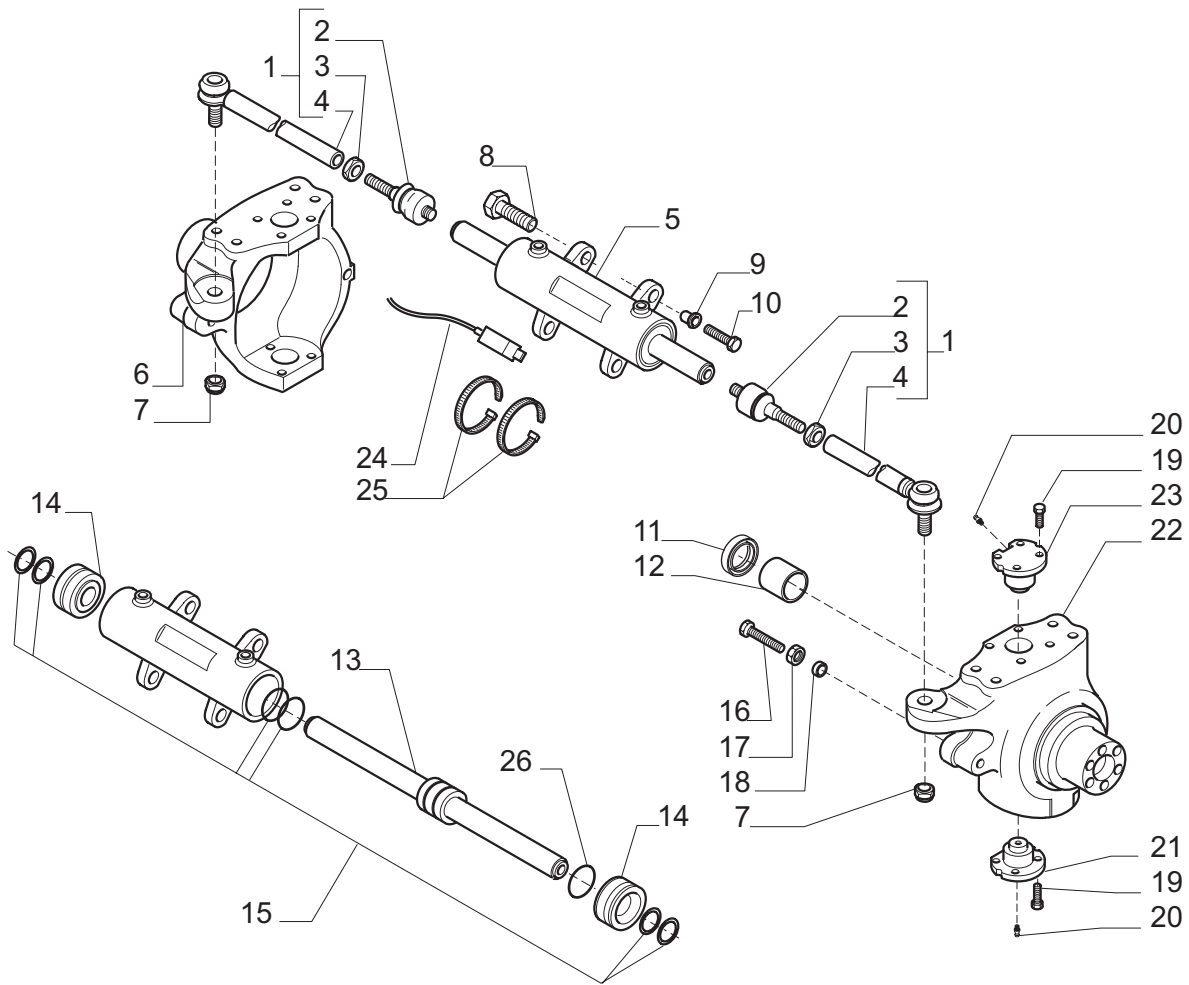
- 1.0.0 Corpo assale
Axle housing
- 2.0.0 Calotte e cilindro di sterzo
Swivel housings and steering cylinder
- 3.0.0 Coppia conica
Bevel gear set
- 4.0.0 Differenziale
Differential
- 5.0.0 Bloccaggio differenziale
Differential locking
- 6.0.0 Doppio giunto
Double U-joint
- 7.0.0 Freni
Brakes
- 8.0.0 Mozzo ruota
Wheel hub
- 9.0.0 Riduzione epicicloidale
Final reduction
- 10.0.0 Pinza freno
Brake caliper
- 11.0.0 Sommario kit
Kit summary

Il presente catalogo è valido a partire dal N° di matricola 101.

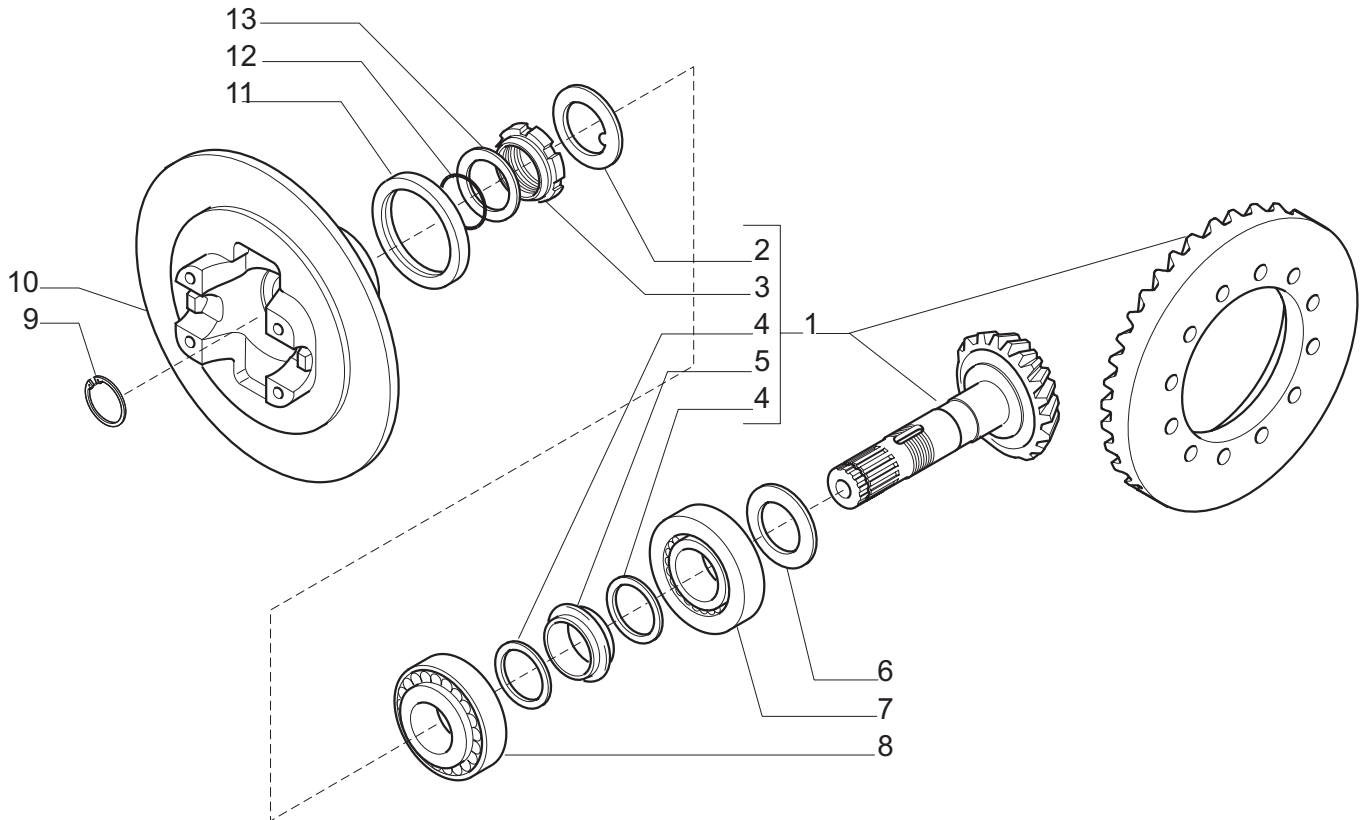
This catalogue is valid from serial number 101.



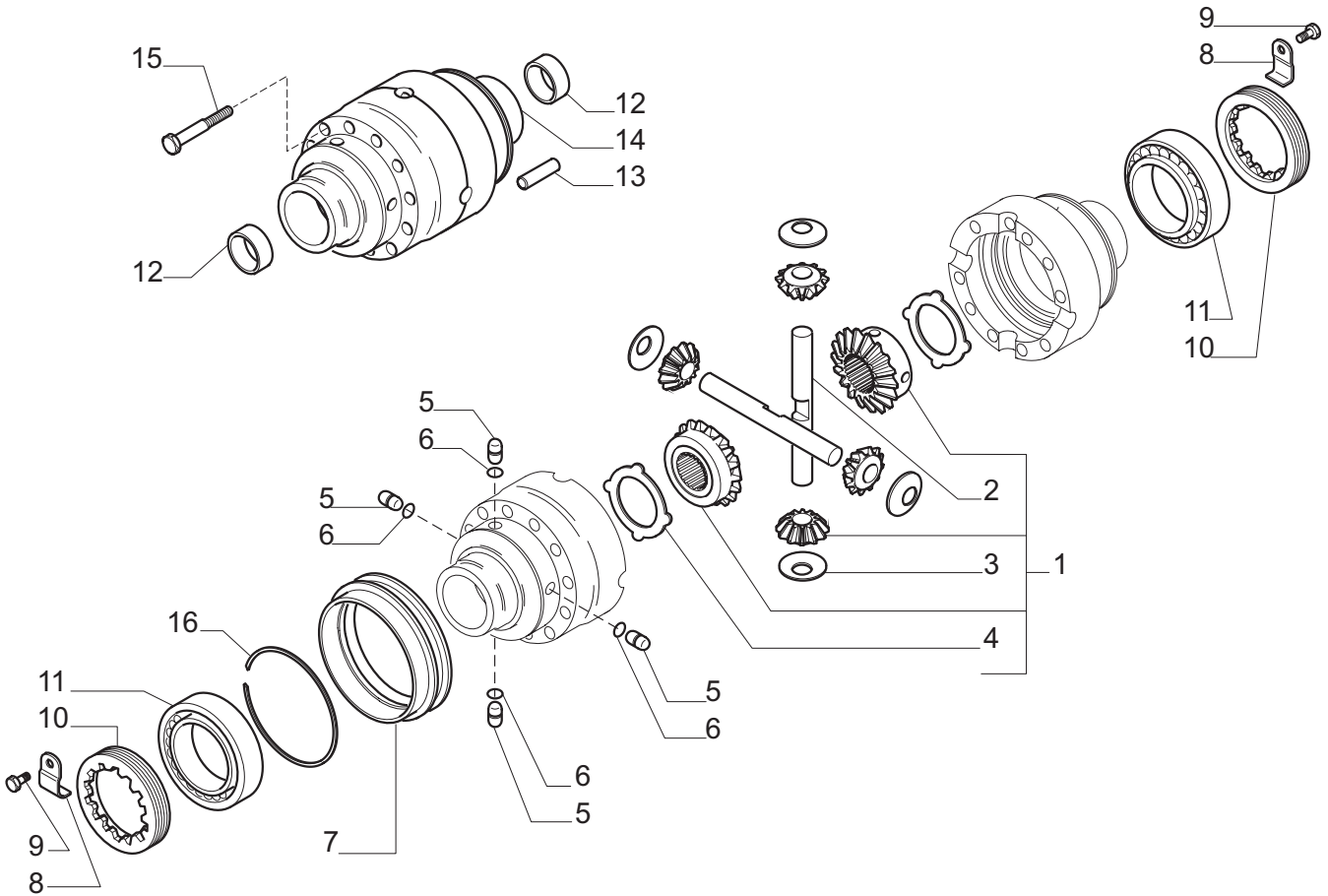
| Pos. | Ref. | Q.ty | Descrizione | Description | Kit | Note |
|------|--------|------|-------------------------|-------------------|-----|------|
| 1 | 149408 | 1 | Tromba trave SX | Beam trumpet LH | | |
| 2 | 021558 | 2 | Tappo M10x1 | Plug M10x1 | | |
| 3 | 028562 | 4 | Anello OR | O.ring | | |
| 4 | 116792 | 2 | Sfiato M10x1 | Breather M10x1 | | |
| 5 | 146121 | 1 | Cilindro freno SX | Brake cylinder LH | | |
| 6 | 028526 | 2 | Anello OR | O.ring | | |
| 7 | 140132 | 1 | Tubo ricircolo aria | Pipe | | |
| 8 | 150149 | 1 | Corpo centrale | Central body | | |
| 9 | 125280 | 2 | Tappo M30x2 | Plug M30x2 | | |
| 10 | 146122 | 1 | Cilindro freno DX | Brake cylinder RH | | |
| 11 | 137474 | 1 | Sfiato M10x1 | Breather M10x1 | | |
| 12 | 121618 | 1 | Prolunga sfiato | Breather pipe | | |
| 13 | 146359 | 1 | Tromba trave DX | Beam trumpet RH | | |
| 14 | 128632 | 2 | Molla tazza | Belleville washer | | |
| 15 | 144558 | 2 | Boccola | Bush | | |
| 16 | 116962 | 2 | Bronzina | Bush | | |
| 17 | 126403 | 2 | Anello di tenuta | Seal ring | | |
| 18 | 027693 | 2 | Snodo sferico | Spherical bearing | | |
| 19 | 128631 | 2 | Molla tazza | Belleville washer | | |
| 20 | 020993 | 22 | Vite M14x140 | Bolt M14x140 | | |
| 21 | 021314 | 2 | Vite M12x130 | Bolt M12x130 | | |
| 22 | 028500 | 8 | Anello OR | O.ring | | |
| 23 | 030803 | 2 | Tappo | Plug | | |
| 24 | 021579 | 1 | Tappo | Plug | | |
| 25 | 023838 | 4 | Rivetto 4.8x6 | Rivet 4.8x6 | | |
| 26 | 140647 | 2 | Riga chiusura foro olio | Plate | | |



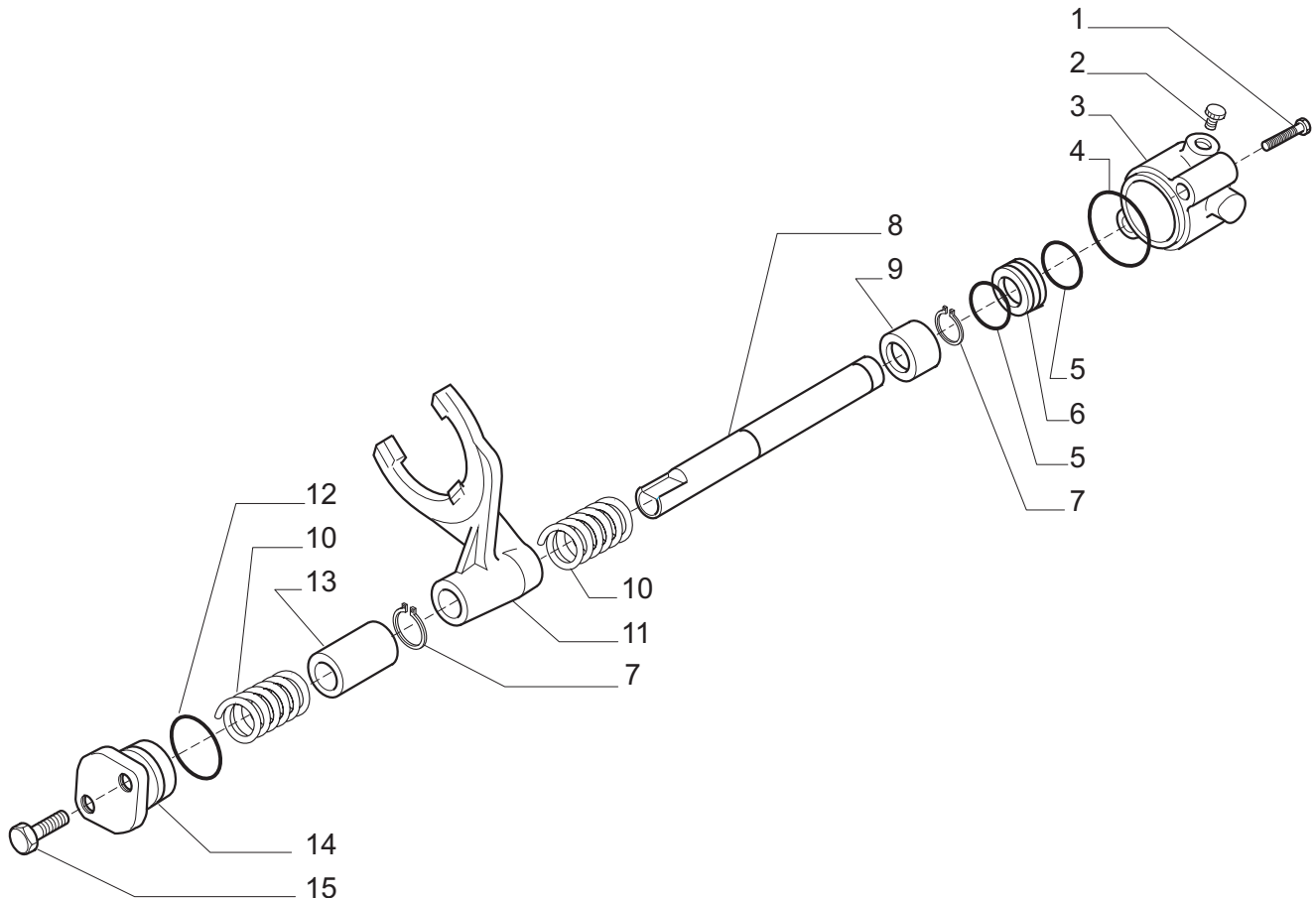
| Pos. | Ref. | Q.ty | Descrizione | Description | Kit | Note |
|------|--------|------|--------------------|---------------------|--------|------|
| 1 | 146134 | 2 | Asta guida | Steering arm assy | | |
| 2 | 351504 | 2 | Snodo sferico | Ball joint | 146134 | |
| 3 | 070787 | 2 | Dado M24x1.5 | Nut M24x1.5 | 146134 | |
| 4 | 352360 | 2 | Tirante | Tie rod | 146134 | |
| 5 | 148395 | 1 | Martinetto | Steering cylinder | | |
| 6 | 146962 | 1 | Calotta SX | Swivel housing LH | | |
| 7 | 022446 | 2 | Dado M24x1.5 | Nut M24x1.5 | | |
| 8 | 135573 | 2 | Vite M22X55 | Bolt M22X55 | | |
| 9 | 137717 | 2 | Bussola | Bush | | |
| 10 | 119906 | 2 | Vite M14x65 | Bolt M14x65 | | |
| 11 | 140224 | 2 | Anello di tenuta | Seal ring | | |
| 12 | 125161 | 2 | Bronzina | Bush | | |
| 13 | 049078 | 1 | Stelo | Rod | 148395 | |
| 14 | 049077 | 2 | Testata martinetto | Cylinder head | 148395 | |
| 15 | 049079 | 1 | Kit guarnizioni | Seal kit | 148395 | |
| 16 | 124748 | 4 | Vite M16X100 | Bolt M16x100 | | |
| 17 | 022129 | 4 | Dado M16 | Nut M16 | | |
| 18 | 149034 | 4 | Bussola | Bush | | |
| 19 | 126923 | 16 | Vite M16x38 | Bolt M16x38 | | |
| 20 | 024210 | 4 | Ingrassatore M6x1 | Greaser nipple M6x1 | | |
| 21 | 130632 | 2 | Perno snodo | King pin | | |
| 22 | 146961 | 1 | Calotta DX | Swivel housing RH | | |
| 23 | 130631 | 2 | Perno snodo | King pin | | |
| 24 | 136774 | 1 | Sensore | Sensor | | |
| 25 | 028352 | 2 | Fascetta | Clamp | | |
| 26 | 049314 | 1 | Banda magnetica | Magnetic ring | 148395 | |



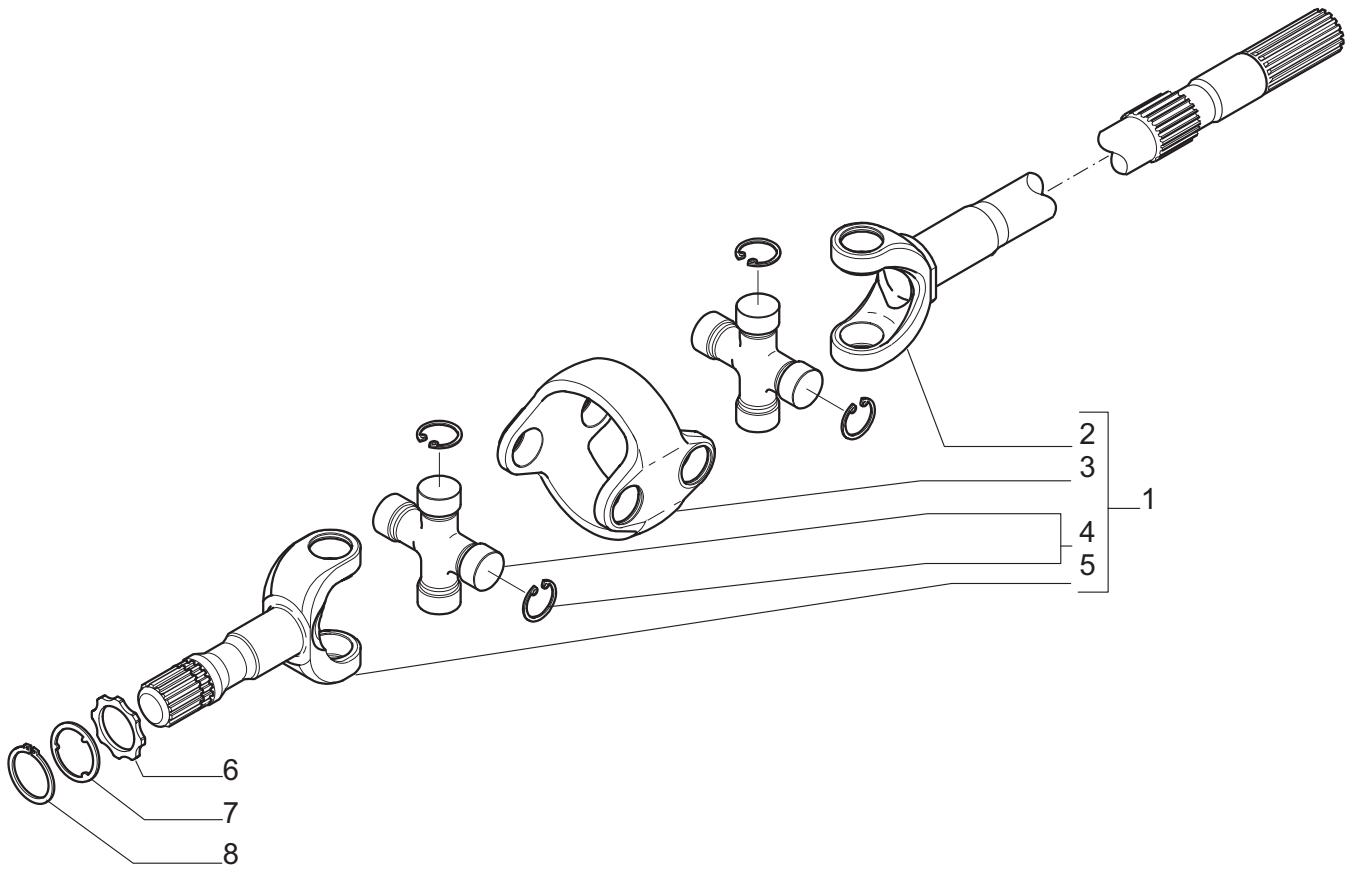
| Pos. | Ref. | Q.ty | Descrizione | Description | Kit | Note |
|------|--------|------|---------------------------|--------------------------|--------|------|
| 1 | 068278 | 1 | Kit coppia conica Z=12/30 | Bevelgear/pinion Z=12/30 | | |
| 2 | 113717 | 1 | Rondella fermo ghiera | Lockwasher | 068278 | |
| 3 | 115054 | 1 | Ghiera M40x1.5 | Ring nut M40x1.5 | 068278 | |
| 4 | 125829 | 2 | Rondella | Washer | 068278 | |
| 5 | 138692 | 1 | Distanziale elastico | Collapsible spacer | 068278 | |
| 6 | 134186 | - | Spessore 2.50mm | Shim 2.50mm | | |
| 6 | 134187 | - | Spessore 2.60mm | Shim 2.60mm | | |
| 6 | 134188 | - | Spessore 2.70mm | Shim 2.70mm | | |
| 6 | 134189 | - | Spessore 2.80mm | Shim 2.80mm | | |
| 6 | 134190 | - | Spessore 2.90mm | Shim 2.90mm | | |
| 6 | 134191 | - | Spessore 3.00mm | Shim 3.00mm | | |
| 6 | 134192 | - | Spessore 3.10mm | Shim 3.20mm | | |
| 6 | 134193 | - | Spessore 3.20mm | Shim 3.30mm | | |
| 6 | 134194 | - | Spessore 3.30mm | Shim 3.30mm | | |
| 6 | 134195 | - | Spessore 3.40mm | Shim 3.40mm | | |
| 7 | 027351 | 1 | Cuscinetto | Bearing | | |
| 8 | 027350 | 1 | Cuscinetto | Bearing | | |
| 9 | 024789 | 1 | Anello seeger D34 | Snap ring D34 | | |
| 10 | 146048 | 1 | Disco freno con flangia | Brake disc with flange | | |
| 11 | 145050 | 1 | Anello di tenuta | Seal ring | | |
| 12 | 028532 | 1 | Anello OR | O.ring | | |
| 13 | 123402 | 1 | Rondella | Washer | | |
| | | | | | | |
| | | | | | | |
| | | | | | | |
| | | | | | | |
| | | | | | | |
| | | | | | | |
| | | | | | | |
| | | | | | | |
| | | | | | | |



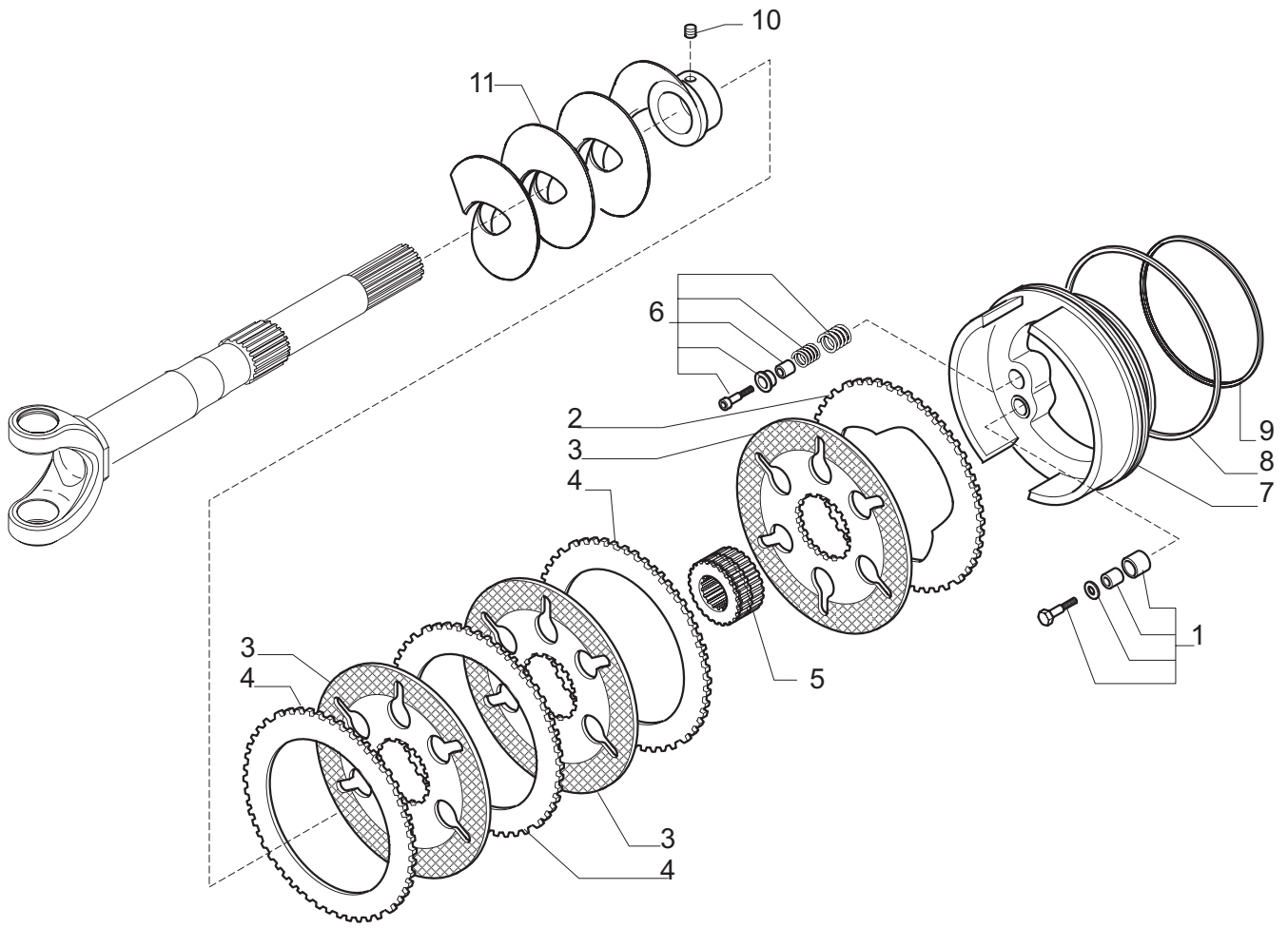
| Pos. | Ref. | Q.ty | Descrizione | Description | Kit | Note |
|------|--------|------|-------------------------|--------------------------|--------|------|
| 1 | 066572 | 1 | Kit ingr. differenziale | Differential kit | | |
| 2 | 133035 | 2 | Perno | Shaft | 066572 | |
| 3 | 117171 | 4 | Rondella spallamento | Thrust washer | 066572 | |
| 4 | 133036 | 2 | Controdisco | Drive plate | 066572 | |
| 5 | 138651 | 4 | Piolo | Pin | | |
| 6 | 028219 | 4 | Anello OR | O.ring | | |
| 7 | 131592 | 1 | Manicotto scorrevole | Sleeve | | |
| 8 | 129118 | 2 | Fermo ghiera | Locking plate | | |
| 9 | 128440 | 2 | Vite M6x10 (Atbl.) | Bolt M6x10 (Self lock.) | | |
| 10 | 125445 | 2 | Ghiera M104x2 | Ring nut M104x2 | | |
| 11 | 027367 | 2 | Cuscinetto | Bearing | | |
| 12 | 131747 | 2 | Bronzina | Bush | | |
| 13 | 117569 | 2 | Spina D12x40 | Pin D12x40 | | |
| 14 | 138654 | 1 | Scatola differenziale | Differential housing | | |
| 15 | 125551 | 10 | Vite M12x90 (Atbl.) | Bolt M12x90 (Self lock.) | | |
| 16 | 025077 | 1 | Anello di sicurezza | Lock-ring | | |
| | | | | | | |
| | | | | | | |
| | | | | | | |
| | | | | | | |
| | | | | | | |
| | | | | | | |
| | | | | | | |
| | | | | | | |
| | | | | | | |
| | | | | | | |
| | | | | | | |



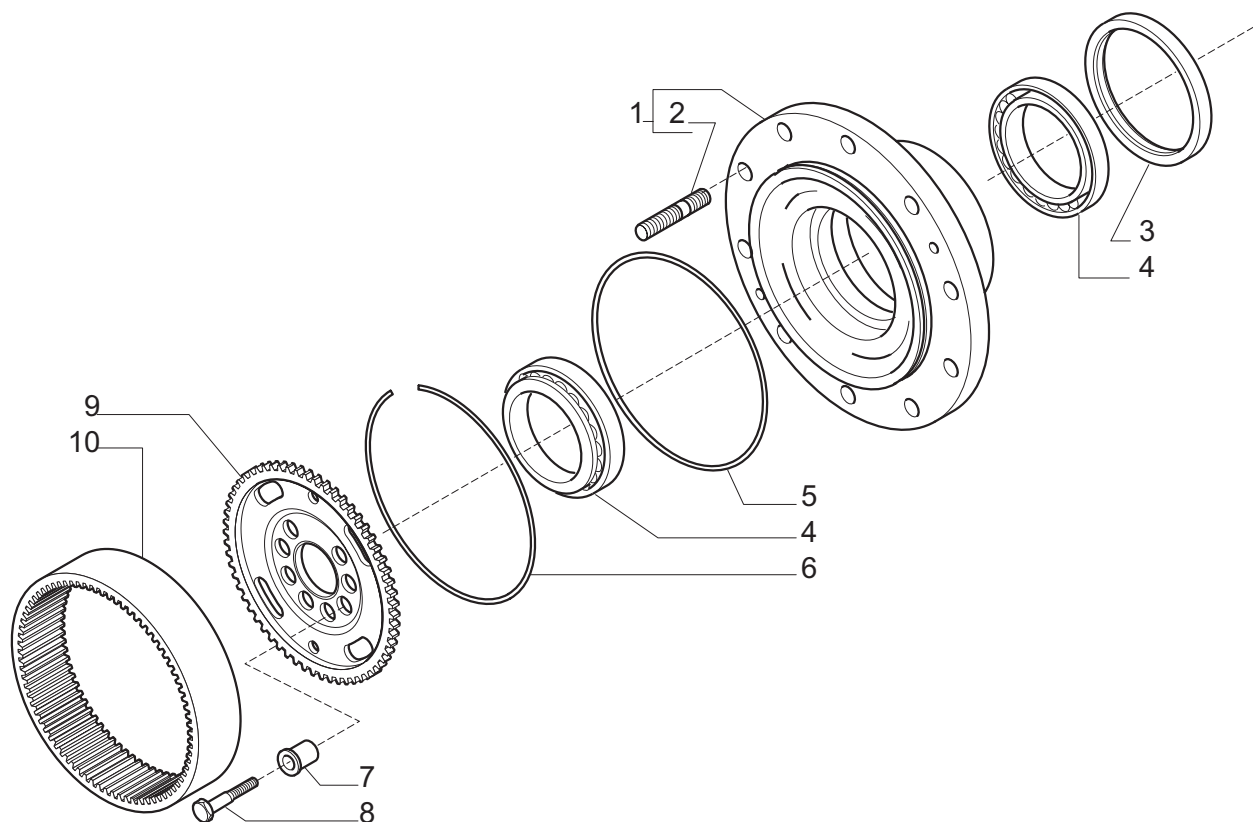
| Pos. | Ref. | Q.ty | Descrizione | Description | Kit | Note |
|------|--------|------|---------------------|-------------|-----|------|
| 1 | 020807 | 2 | Vite M8x80 | Bolt M8x80 | | |
| 2 | 030720 | 1 | Tappo | Plug | | |
| 3 | 139132 | 1 | Supporto | Support | | |
| 4 | 028527 | 1 | Anello OR | O.ring | | |
| 5 | 028121 | 2 | Anello OR | O.ring | | |
| 6 | 139139 | 1 | Pistone bloc. diff. | Piston | | |
| 7 | 024776 | 2 | Anello seeger | Snap ring | | |
| 8 | 139141 | 1 | Perno | Shaft | | |
| 9 | 139140 | 1 | Bussola | Bush | | |
| 10 | 125756 | 2 | Molla | Spring | | |
| 11 | 130311 | 1 | Forcella | Fork | | |
| 12 | 028557 | 1 | Anello OR | O.ring | | |
| 13 | 129032 | 1 | Distanziale | Spacer | | |
| 14 | 126143 | 1 | Coperchio | Cover | | |
| 15 | 020793 | 2 | Vite M8x30 | Bolt M8x30 | | |
| | | | | | | |
| | | | | | | |
| | | | | | | |
| | | | | | | |
| | | | | | | |
| | | | | | | |
| | | | | | | |
| | | | | | | |
| | | | | | | |
| | | | | | | |
| | | | | | | |
| | | | | | | |



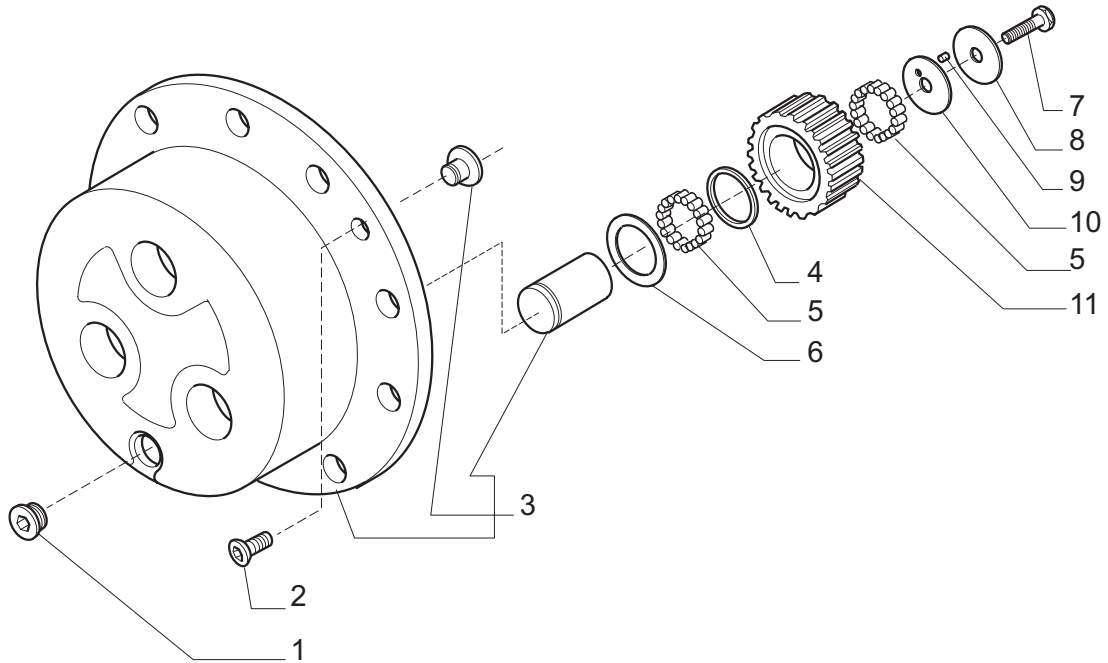
| Pos. | Ref. | Q.ty | Descrizione | Description | Kit | Note |
|------|--------|------|-----------------------|-------------------|--------|------|
| 1 | 143971 | 2 | Doppio giunto | Double joint | | |
| 2 | 046462 | 2 | Forcella (lato diff.) | Fork (diff. side) | 143971 | |
| 3 | 046220 | 2 | Corpo centrale | Central body | 143971 | |
| 4 | 046221 | 4 | Crociera | Spider | 143971 | |
| 5 | 046463 | 2 | Forcella (lato ruota) | Fork (wheel side) | 143971 | |
| 6 | 145553 | 2 | Ralla | Thrust washer | | |
| 7 | 140023 | 2 | Rondella | Washer | | |
| 8 | 024799 | 2 | Anello arresto | Lock ring | | |
| | | | | | | |
| | | | | | | |
| | | | | | | |
| | | | | | | |
| | | | | | | |
| | | | | | | |
| | | | | | | |
| | | | | | | |
| | | | | | | |
| | | | | | | |
| | | | | | | |
| | | | | | | |
| | | | | | | |
| | | | | | | |
| | | | | | | |



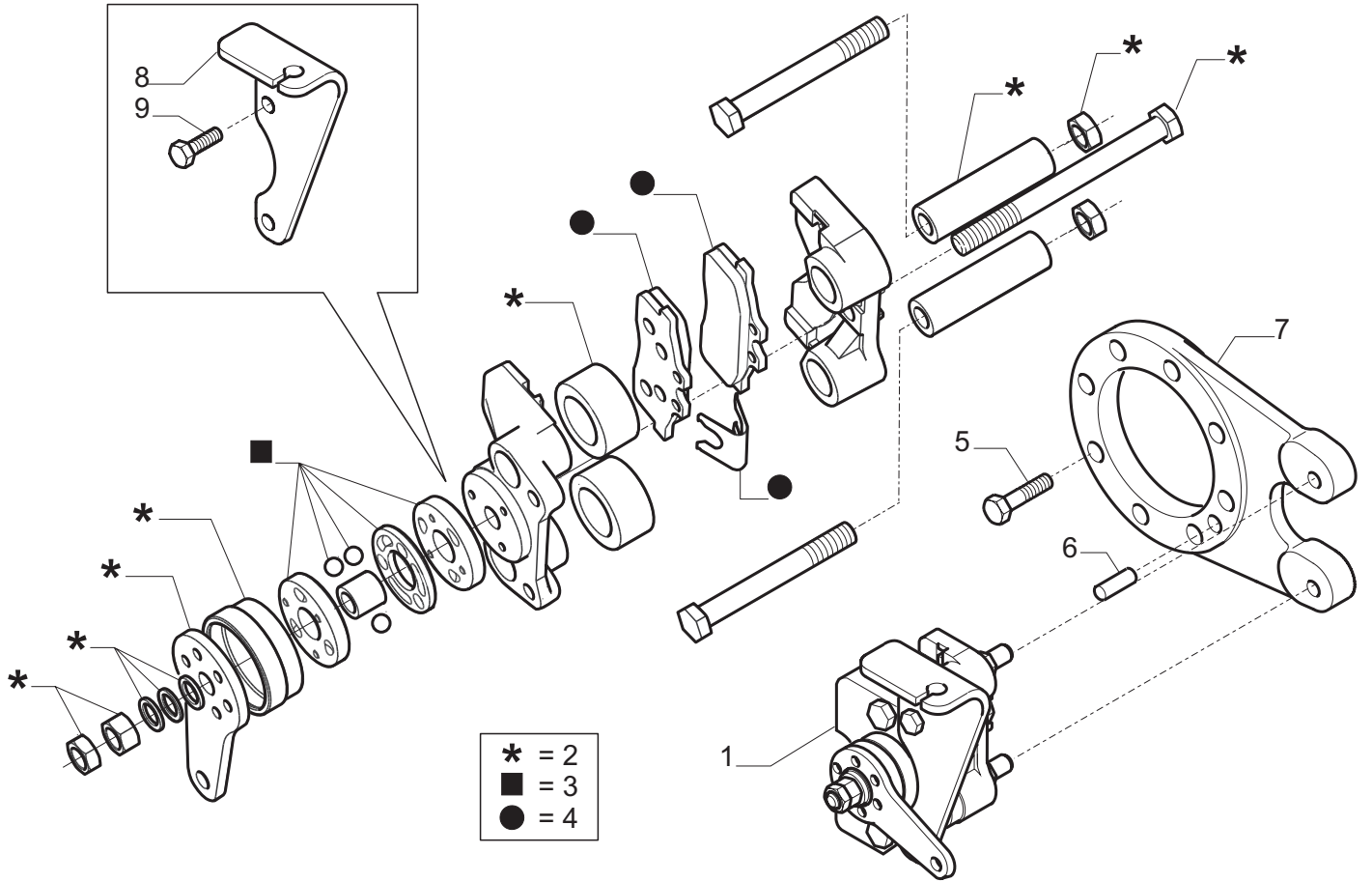
| Pos. | Ref. | Q.ty | Descrizione | Description | Kit | Note |
|------|--------|------|--------------------|-------------------|-----|------|
| 1 | 066748 | 2 | Kit self-adjust | Self-adjust kit | | |
| 2 | 134740 | 2 | Controdisco freno | Brake drive-plate | | |
| 3 | 143874 | 6 | Disco freno | Brake plate | | |
| 4 | 136155 | 6 | Controdisco freno | Brake drive-plate | | |
| 5 | 136648 | 2 | Mozzo traino freno | Hub | | |
| 6 | 066616 | 2 | Kit self-adjust | Self-adjust kit | | |
| 7 | 141259 | 2 | Pistone freno | Brake piston | | |
| 8 | 133757 | 2 | OR | O Ring | | |
| 9 | 139231 | 2 | OR | O Ring | | |
| 10 | 021494 | 2 | Grano M10x10 | Grub screw M10x10 | | |
| 11 | 146371 | 1 | Coclea elica DX | Auger RH | | |
| 11 | 146372 | 1 | Coclea elica SX | Auger LH | | |
| | | | | | | |
| | | | | | | |
| | | | | | | |
| | | | | | | |
| | | | | | | |
| | | | | | | |
| | | | | | | |
| | | | | | | |
| | | | | | | |
| | | | | | | |
| | | | | | | |



| Pos. | Ref. | Q.ty | Descrizione | Description | Kit | Note |
|------|--------|------|-----------------------|----------------|--------|------|
| 1 | 068056 | 1 | Kit mozzo ruota | Wheel hub kit | | |
| 2 | 116957 | 20 | Prigioniero | Stud | 068056 | |
| 3 | 047702 | 2 | Anello di tenuta | Seal ring | | |
| 4 | 118370 | 4 | Cuscinetto | Bearing | | |
| 5 | 028579 | 2 | Anello OR | O.ring | | |
| 6 | 125233 | 2 | Anello | Ring | | |
| 7 | 125190 | 16 | Bussola di centraggio | Centering bush | | |
| 8 | 119906 | 16 | Vite M14x65 | Bolt M14x65 | | |
| 9 | 139633 | 2 | Mozzo fermo corona | Wheel carrier | | |
| 10 | 139738 | 2 | Corona Z77 | Crown gear Z77 | | |
| | | | | | | |
| | | | | | | |
| | | | | | | |
| | | | | | | |
| | | | | | | |
| | | | | | | |
| | | | | | | |
| | | | | | | |
| | | | | | | |
| | | | | | | |
| | | | | | | |
| | | | | | | |
| | | | | | | |
| | | | | | | |
| | | | | | | |
| | | | | | | |
| | | | | | | |
| | | | | | | |
| | | | | | | |
| | | | | | | |



| Pos. | Ref. | Q.ty | Descrizione | Description | Kit | Note |
|------|--------|------|--------------------------|---------------------------|-----|------|
| 1 | 125280 | 2 | Tappo M30x2 | Plug M30x2 | | |
| 2 | 020490 | 4 | Vite M8x20 | Bolt M8x20 | | |
| 3 | 066570 | 2 | Kit treno portasatelliti | Planetary carrier assy | | |
| 4 | 138778 | 6 | Rondella | Washer | | |
| 5 | 028301 | 37.2 | Rullini (a decine) | Needle bearings (by tens) | | |
| 6 | 138689 | 6 | Ralla | Thrust washer | | |
| 7 | 125229 | 6 | Vite M10x50 | Bolt M10x50 | | |
| 8 | 138691 | 6 | Ralla | Thrust washer | | |
| 9 | 028370 | 0.6 | Rullini (a decine) | Needle bearings (by tens) | | |
| 10 | 138690 | 6 | Ralla | Thrust washer | | |
| 11 | 138736 | 6 | Ingranaggio Z31 | Gear Z31 | | |
| | | | | | | |
| | | | | | | |
| | | | | | | |
| | | | | | | |
| | | | | | | |
| | | | | | | |
| | | | | | | |
| | | | | | | |
| | | | | | | |
| | | | | | | |
| | | | | | | |
| | | | | | | |
| | | | | | | |



| Pos. | Ref. | Q.ty | Descrizione | Description | Kit | Note |
|------|--------|------|-----------------------|----------------------|--------|------|
| 1 | 149826 | 1 | Pinza freno | Brake caliper | | |
| 2 | 048645 | 1 | Kit riparazione freno | Brake repair kit | 149826 | |
| 3 | 049465 | 1 | Kit riparazione camme | Cam repair kit | 149826 | |
| 4 | 048646 | 1 | Kit pastiglie | Pad kit | 149826 | |
| 5 | 020921 | 8 | Vite M12x35 | Bolt M12x35 | | |
| 6 | 121710 | 1 | Spina D12x25 | Pin D12x25 | | |
| 7 | 148406 | 1 | Flangia pinza freno | Brake caliper flange | | |
| 8 | 146374 | 1 | Supporto | Support | | |
| 9 | 021477 | 2 | Vite | Bolt | | |
| | | | | | | |
| | | | | | | |
| | | | | | | |
| | | | | | | |
| | | | | | | |
| | | | | | | |
| | | | | | | |
| | | | | | | |
| | | | | | | |
| | | | | | | |
| | | | | | | |
| | | | | | | |
| | | | | | | |
| | | | | | | |
| | | | | | | |
| | | | | | | |
| | | | | | | |
| | | | | | | |

| Kit | Ref. | Descrizione | Description | Q.ty | Note |
|--------|--------|---------------------------|-------------------------------|------|------|
| 148395 | - | Martinetto | Steering cylinder | - | |
| - | 049078 | Stelo completo | Rod | 1 | |
| - | 049077 | Testata martinetto | Cylinder head | 1 | |
| - | 049079 | Kit guarnizioni | Seal kit | 1 | |
| - | 049314 | Banda magnetica | Magnetic ring | 1 | |
| 146134 | - | Asta guida | Steering arm assy | - | |
| - | 351504 | Snodo sferico | Ball joint | 2 | |
| - | 070787 | Dado M24x1.5 | Nut M24x1.5 | 2 | |
| - | 352360 | Tirante | Tie rod | 2 | |
| 068278 | - | Kit coppia conica Z=12/30 | Bevel gear/Pinion set Z=12/30 | - | |
| - | - | Coppia conica Z=12/30 | Bevel gear/Pinion Z=12/30 | 1 | |
| - | 138692 | Distanziale elastico | Collapsible spacer | 1 | |
| - | 125829 | Rondella 50x40.5x2 | Washer 50x40.5x2 | 2 | |
| - | 113717 | Rondella fermo ghiera | Lockwasher | 1 | |
| - | 115054 | Ghiera serraggio M40x1.5 | Ring nut M44x1.5 | 1 | |
| 066572 | - | Kit ingr. differenziale | Differential kit | - | |
| - | 117171 | Rondella spallamento | Thrust washer | 4 | |
| - | 133035 | Perno | Shaft | 2 | |
| - | 133036 | Controdisco | Drive plate | 2 | |
| - | - | Ingranaggio Z12 | Gear Z12 | 4 | |
| - | - | Ingranaggio Z18 | Gear Z18 | 1 | |
| - | - | Ingranaggio Z18 | Gear Z18 | 1 | |
| 143971 | - | Doppio giunto | Double joint | - | |
| - | 046462 | Forcella (lato diff.) | Fork (diff. side) | 1 | |
| - | 046220 | Corpo centrale | Central body | 1 | |
| - | 046221 | Crociera | Spider | 2 | |
| - | 046463 | Forcella (lato ruota) | Fork (wheel side) | 1 | |
| 066616 | - | Kit self-adjust | Self-adjust kit | - | |
| - | - | Vite M6x35 | Bolt M6x35 | 3 | |
| - | - | Boccola | Bush | 3 | |
| - | - | Coperchio | Cover | 3 | |
| - | - | Molla | Spring | 3 | |
| - | - | Molla | Spring | 3 | |
| 066748 | - | Kit self-adjust | Self-adjust kit | - | |
| - | - | Vite M6x35 | Bolt M6x35 | 3 | |
| - | - | Boccola | Bush | 3 | |
| - | - | Spina | Pin | 3 | |
| - | - | Rondella | Washer | 3 | |
| 068056 | - | Kit mozzo ruota | Wheel hub kit | - | |
| - | - | Mozzo ruota | Wheel hub | 1 | |
| - | 116957 | Prigioneiro | Stud | 10 | |
| 066570 | - | Kit treno portasatelliti | Planetary carrier assy | - | |
| - | - | Treno portasatelliti | Planetary carrier | 1 | |
| - | - | Perno | Shaft | 3 | |
| - | - | Pattino | Pad | 1 | |
| 149826 | - | Pinza freno | Brake caliper | - | |
| - | 048645 | Kit riparazione freno | Brake repair kit | 1 | |
| - | 049465 | Kit riparazione camme | Cam repair kit | 1 | |
| - | 048646 | Kit pastiglie | Pad kit | 1 | |