



# **CARRARO**

**Catalogo Parti Di Ricambio**

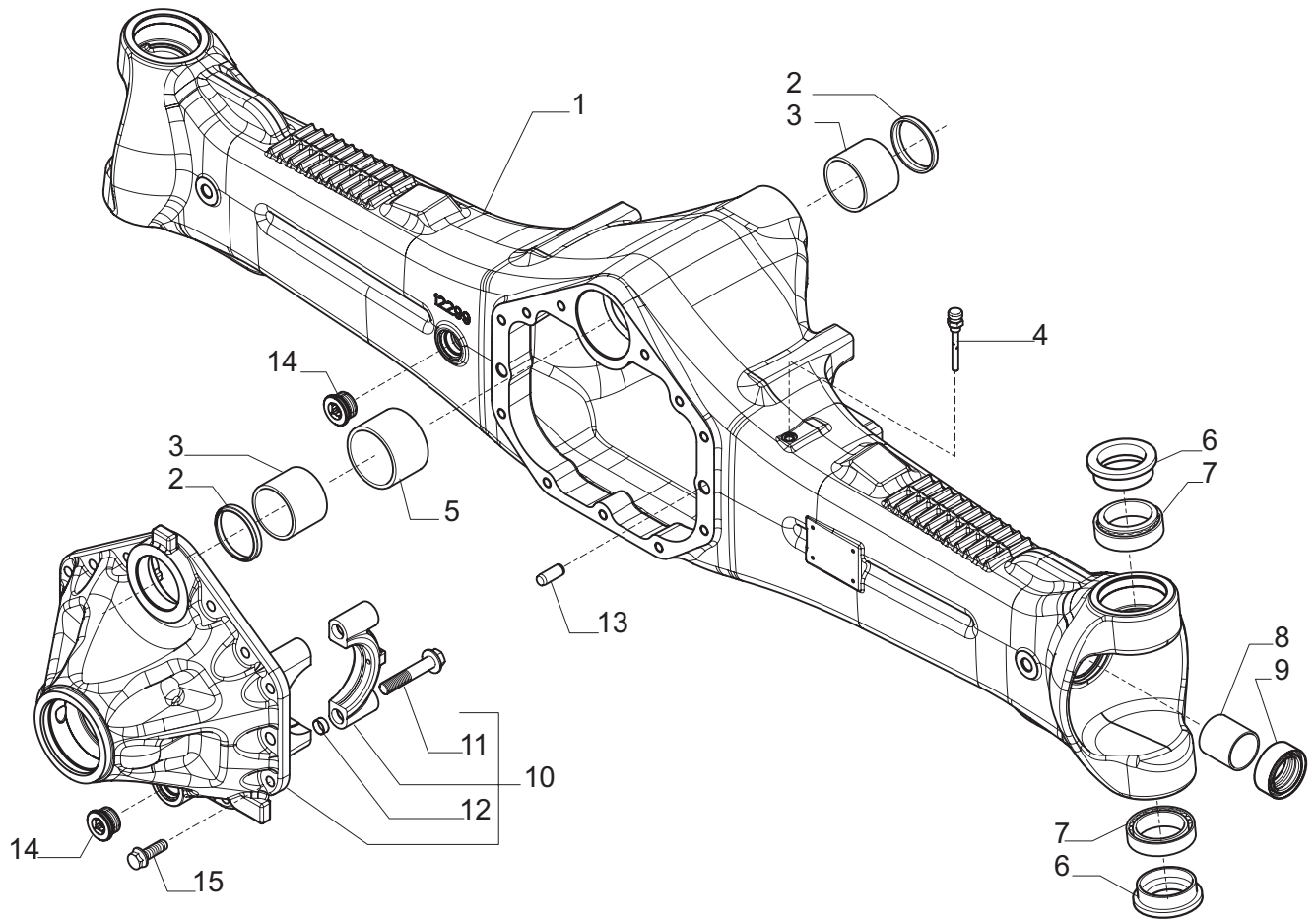
***Spare Parts List***

**ASSALE 26.24**

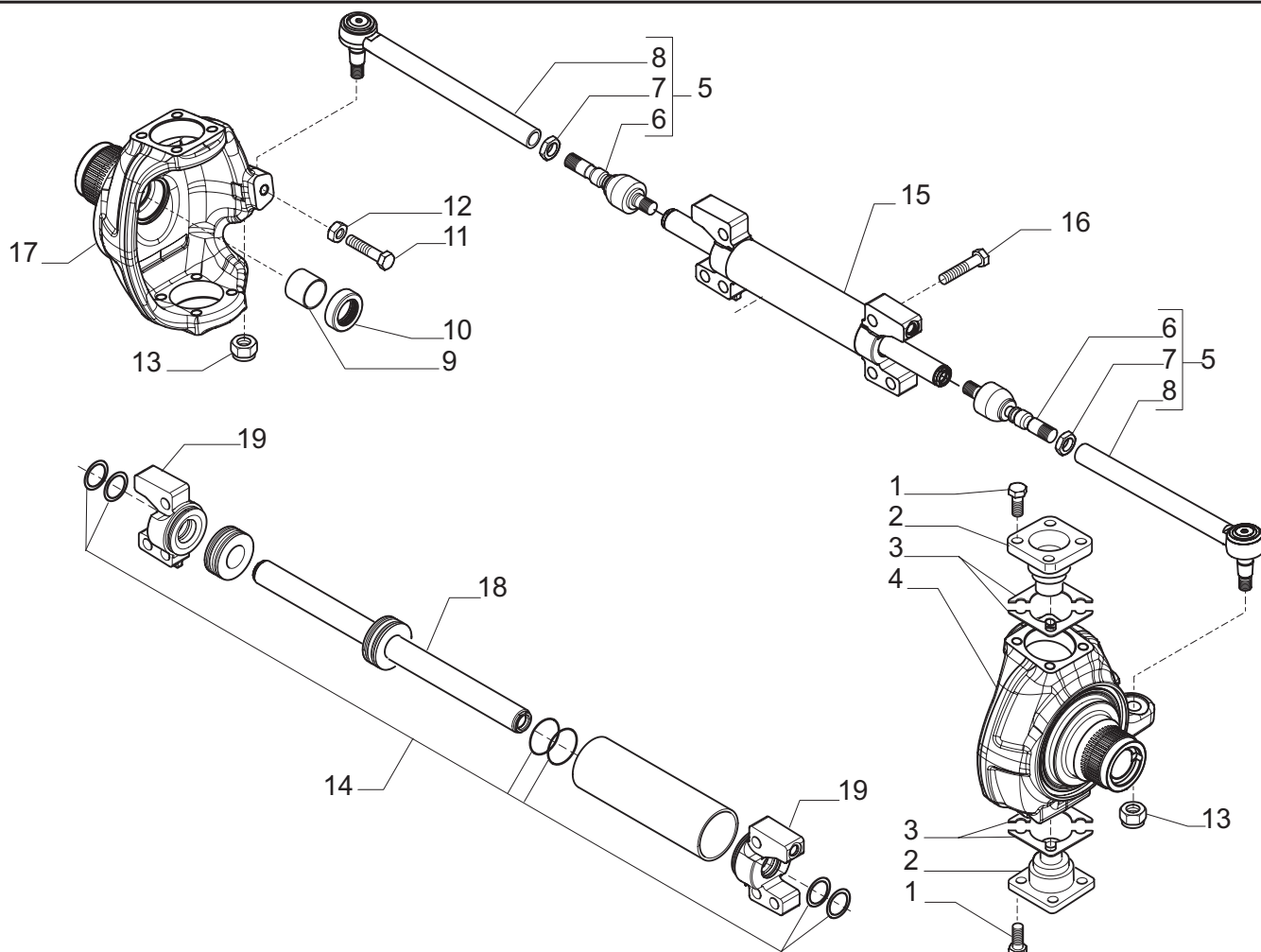
**26.24 AXLE**

**REF. 148412**

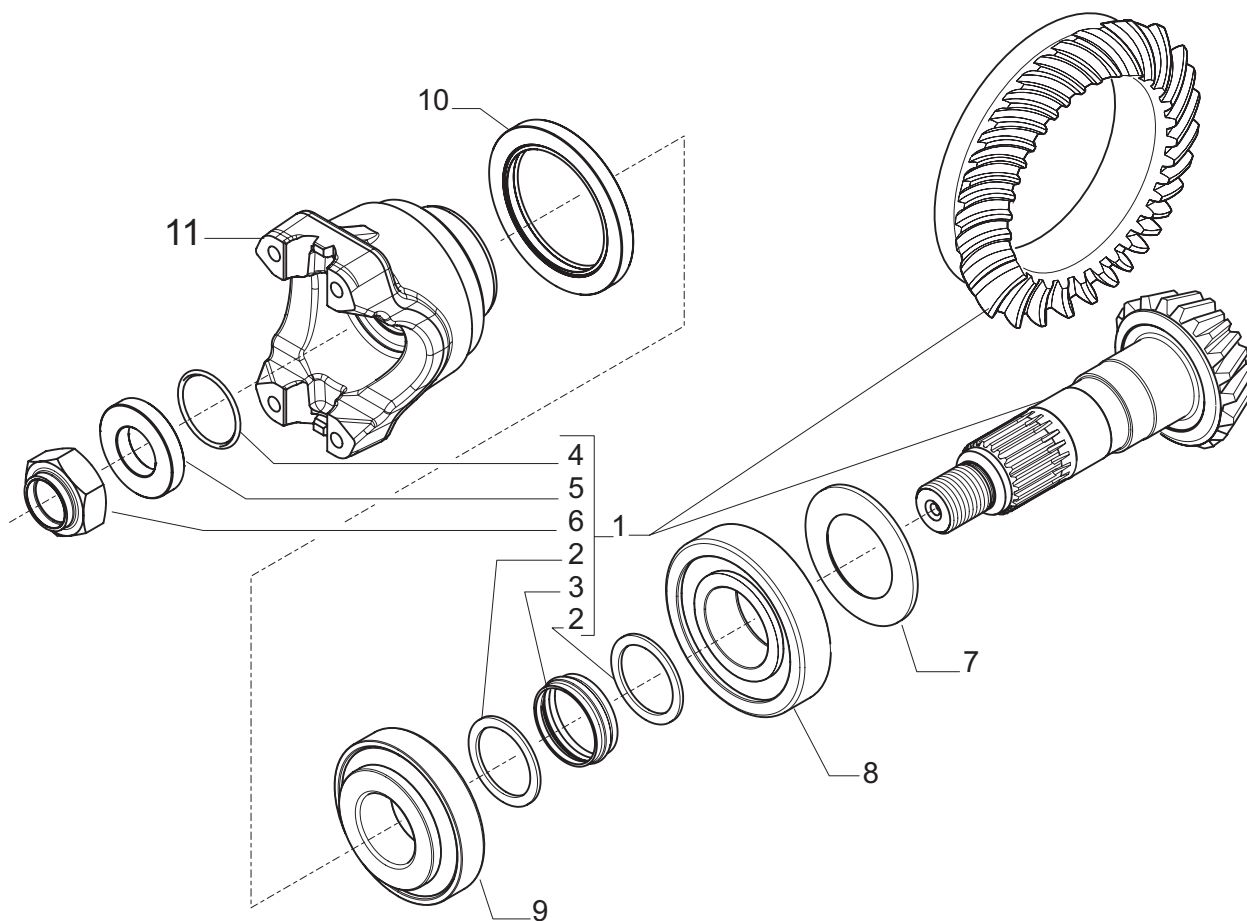
- 1.0.0 Corpo assale  
*Axle housing*
- 2.0.0 Calotte e cilindro di sterzo  
*Swivel housings and steering cylinder*
- 3.0.0 Coppia conica  
*Bevel gear set*
- 4.0.0 Differenziale  
*Differential*
- 5.0.0 Doppio giunto  
*Double U-joint*
- 6.0.0 Mozzo ruota  
*Wheel hub*
- 7.0.0 Riduzione epicicloidale  
*Final reduction*
- 8.0.0 Sommario kit  
*Kit summary*



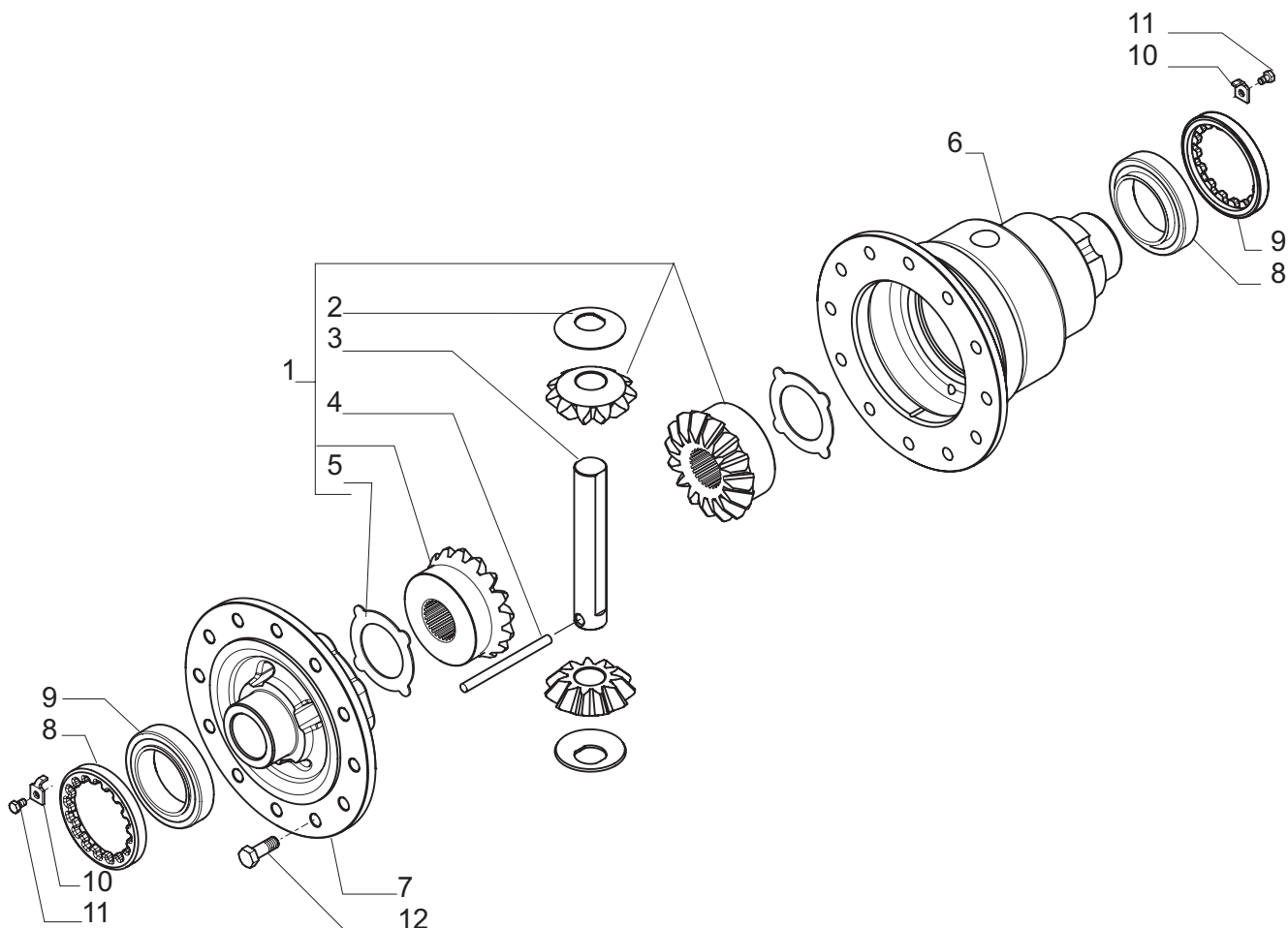
| Pos. | Ref.   | Q.ty | Descrizione            | Description          | Kit | Note |
|------|--------|------|------------------------|----------------------|-----|------|
| 1    | 143716 | 1    | Trave                  | Axle housing         |     |      |
| 2    | 033481 | 2    | Anello tenuta          | Seal ring            |     |      |
| 3    | 143725 | 2    | Boccola                | Bush                 |     |      |
| 4    | 642014 | 1    | Sfiato M10x1           | Breather M10x1       |     |      |
| 5    | 144071 | 2    | Boccola                | Bush                 |     |      |
| 6    | 141876 | 4    | Anello cassetto        | Seal ring            |     |      |
| 7    | 140869 | 4    | Cuscinetto             | Bearing              |     |      |
| 8    | 116962 | 2    | Bronzina               | Bush                 |     |      |
| 9    | 126403 | 2    | Anello tenuta          | Seal ring            |     |      |
| 10   | 143717 | 1    | Supporto differenziale | Differential support |     |      |
| 11   | 126022 | 4    | Vite                   | Bolt                 |     |      |
| 12   | 072235 | 4    | Bussola                | Bush                 |     |      |
| 13   | 087660 | 2    | Spina D15x35           | Pin D15x35           |     |      |
| 14   | 125280 | 2    | Tappo M30x2            | Plug M30x2           |     |      |
| 15   | 125827 | 11   | Vite M12x33            | Bolt M12x33          |     |      |
|      |        |      |                        |                      |     |      |
|      |        |      |                        |                      |     |      |
|      |        |      |                        |                      |     |      |
|      |        |      |                        |                      |     |      |
|      |        |      |                        |                      |     |      |
|      |        |      |                        |                      |     |      |
|      |        |      |                        |                      |     |      |
|      |        |      |                        |                      |     |      |
|      |        |      |                        |                      |     |      |
|      |        |      |                        |                      |     |      |
|      |        |      |                        |                      |     |      |
|      |        |      |                        |                      |     |      |
|      |        |      |                        |                      |     |      |
|      |        |      |                        |                      |     |      |
|      |        |      |                        |                      |     |      |
|      |        |      |                        |                      |     |      |
|      |        |      |                        |                      |     |      |
|      |        |      |                        |                      |     |      |
|      |        |      |                        |                      |     |      |



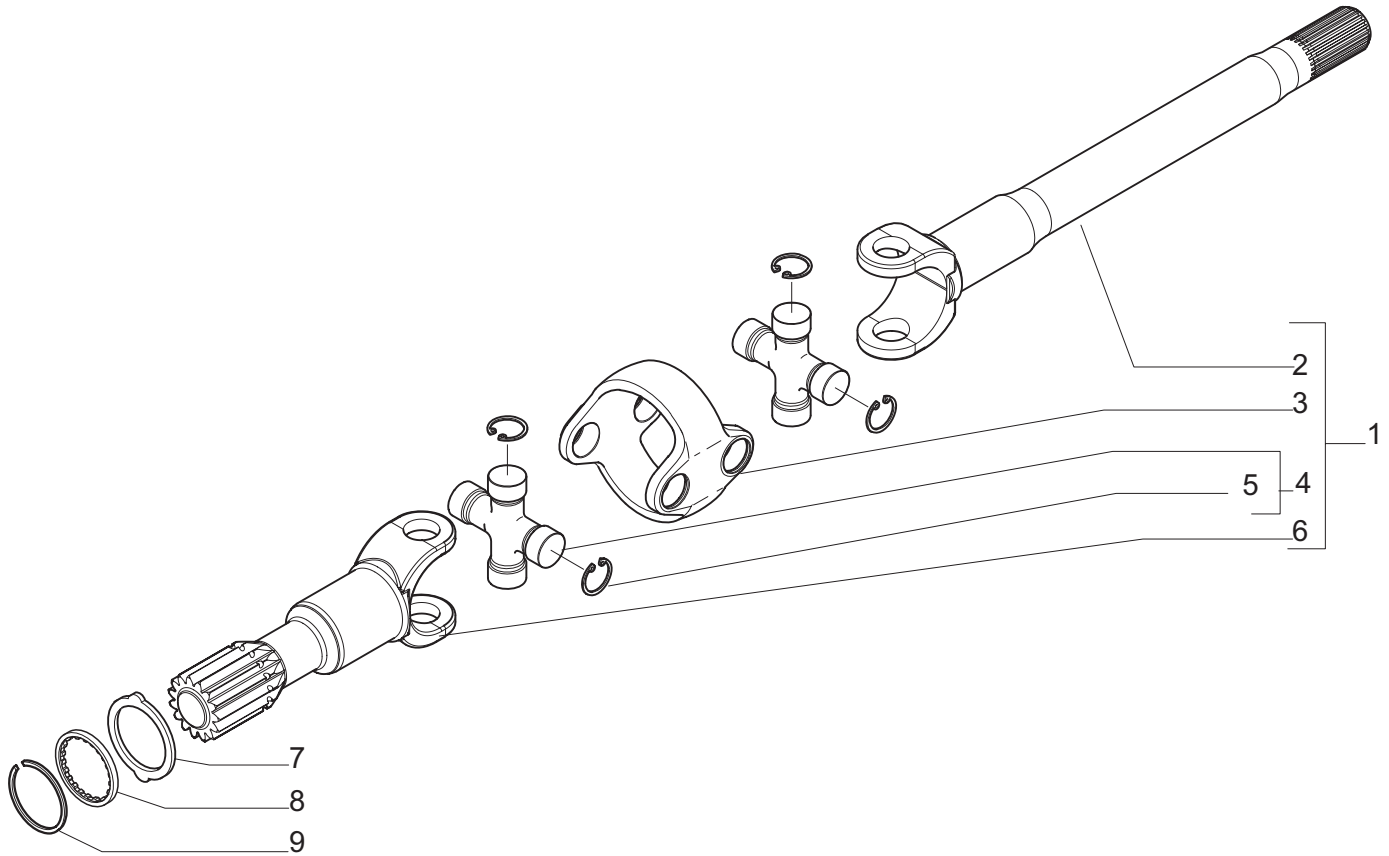
| Pos. | Ref.   | Q.ty | Descrizione        | Description       | Kit    | Note |
|------|--------|------|--------------------|-------------------|--------|------|
| 1    | 126923 | 16   | Vite M16x38        | Bolt M16x38       |        |      |
| 2    | 143239 | 4    | Perno snodo        | King pin          |        |      |
| 3    | 143523 | -    | Spessore 0.15mm    | Shim 0.15mm       |        |      |
| 3    | 143524 | -    | Spessore 0.20mm    | Shim 0.20mm       |        |      |
| 3    | 143525 | -    | Spessore 0.25mm    | Shim 0.25mm       |        |      |
| 4    | 148165 | 1    | Calotta SX         | Swivel housing LH |        |      |
| 5    | 143727 | 2    | Asta guida         | Steering arm assy |        |      |
| 6    | 351504 | 2    | Snodo sferico      | Ball joint        | 143727 |      |
| 7    | 070787 | 2    | Dado M24x1.5       | Nut M18x1.5       | 143727 |      |
| 8    | 352265 | 2    | Tirante            | Tie rod           | 143727 |      |
| 9    | 125390 | 2    | Bronzina           | Bush              |        |      |
| 10   | 127684 | 2    | Anello tenuta      | Seal ring         |        |      |
| 11   | 127223 | 2    | Vite M16x75        | Bolt M16x75       |        |      |
| 12   | 022129 | 2    | Dado M16x2         | Nut M16x2         |        |      |
| 13   | 022431 | 2    | Dado M20x1.5       | Nut M20x1.5       |        |      |
| 14   | 049949 | 1    | Kit guarnizioni    | Seals kit         | 145847 |      |
| 15   | 145847 | 1    | Martinetto         | Steering cylinder |        |      |
| 16   | 021231 | 6    | Vite M20x80        | Bolt M20x80       |        |      |
| 17   | 148164 | 1    | Calotta DX         | Swivel housing RH |        |      |
| 18   | 049950 | 1    | Stelo completo     | Rod               | 145847 |      |
| 19   | 049951 | 2    | Testata martinetto | Cylinder head     | 145847 |      |
|      |        |      |                    |                   |        |      |
|      |        |      |                    |                   |        |      |
|      |        |      |                    |                   |        |      |
|      |        |      |                    |                   |        |      |
|      |        |      |                    |                   |        |      |
|      |        |      |                    |                   |        |      |
|      |        |      |                    |                   |        |      |
|      |        |      |                    |                   |        |      |
|      |        |      |                    |                   |        |      |



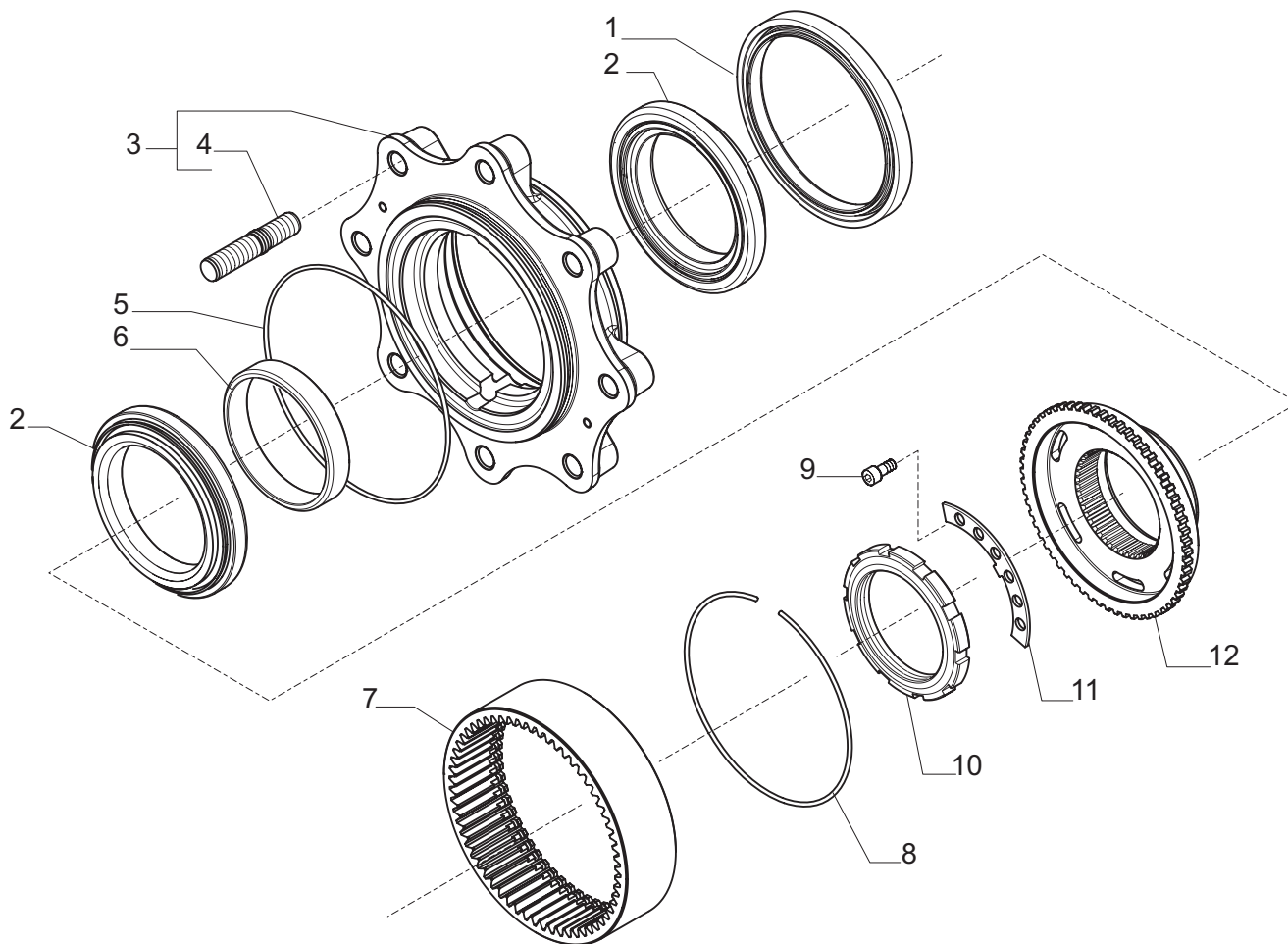
| Pos. | Ref.   | Q.ty | Descrizione              | Description              | Kit    | Note |
|------|--------|------|--------------------------|--------------------------|--------|------|
| 1    | 068006 | 1    | Kit coppia conica Z13/30 | Bevel gear/Pinion Z13/30 |        |      |
| 2    | 125829 | 2    | Rondella                 | Washer                   | 068006 |      |
| 3    | 126369 | 1    | Distanziale elastico     | Collapsible spacer       | 068006 |      |
| 4    | 028125 | 1    | Anello OR                | O.ring                   | 068006 |      |
| 5    | 143003 | 1    | Rondella                 | Washer                   | 068006 |      |
| 6    | 133548 | 1    | Ghiera M24x1.5           | Ring nut M24x1.5         | 068006 |      |
| 7    | 134186 | -    | Spessore 2.5mm           | Shim 2.5mm               |        |      |
| 7    | 134187 | -    | Spessore 2.6mm           | Shim 2.6mm               |        |      |
| 7    | 134188 | -    | Spessore 2.7mm           | Shim 2.7mm               |        |      |
| 7    | 134189 | -    | Spessore 2.8mm           | Shim 2.8mm               |        |      |
| 7    | 134190 | -    | Spessore 2.9mm           | Shim 2.9mm               |        |      |
| 7    | 134191 | -    | Spessore 3.0mm           | Shim 3.0mm               |        |      |
| 7    | 134192 | -    | Spessore 3.1mm           | Shim 3.1mm               |        |      |
| 7    | 134193 | -    | Spessore 3.2mm           | Shim 3.2mm               |        |      |
| 7    | 134194 | -    | Spessore 3.3mm           | Shim 3.3mm               |        |      |
| 7    | 134195 | -    | Spessore 3.4mm           | Shim 3.4mm               |        |      |
| 8    | 027395 | 1    | Cuscinetto               | Bearing                  |        |      |
| 9    | 027350 | 1    | Cuscinetto               | Bearing                  |        |      |
| 10   | 025541 | 1    | Anello di tenuta         | Seal ring                |        |      |
| 11   | 143592 | 1    | Flangia                  | Flange                   |        |      |
|      |        |      |                          |                          |        |      |
|      |        |      |                          |                          |        |      |
|      |        |      |                          |                          |        |      |
|      |        |      |                          |                          |        |      |
|      |        |      |                          |                          |        |      |
|      |        |      |                          |                          |        |      |
|      |        |      |                          |                          |        |      |
|      |        |      |                          |                          |        |      |
|      |        |      |                          |                          |        |      |



| Pos. | Ref.   | Q.ty | Descrizione             | Description                | Kit    | Note |
|------|--------|------|-------------------------|----------------------------|--------|------|
| 1    | 068007 | 1    | Kit ingr. differenziale | Differential kit           |        |      |
| 2    | 115730 | 2    | Ralla                   | Thrust washer              | 068007 |      |
| 3    | 115731 | 1    | Perno                   | Pin                        | 068007 |      |
| 4    | 145841 | 1    | Spina D7x91             | Pin D7x91                  | 068007 |      |
| 5    | 148314 | 2    | Controdisco             | Counter disc               | 068007 |      |
| 6    | 145833 | 1    | Scatola differenziale   | Differential housing       |        |      |
| 7    | 142987 | 1    | Coperchio scatola diff. | Differential housing cover |        |      |
| 8    | 027256 | 2    | Cuscinetto              | Bearing                    |        |      |
| 9    | 107400 | 2    | Ghiera                  | Ring nut                   |        |      |
| 10   | 143789 | 2    | Fermo ghiera            | Locking plate              |        |      |
| 11   | 128440 | 2    | Vite M6x10              | Bolt M6x10                 |        |      |
| 12   | 642042 | 12   | Vite M10x30             | Bolt M10x30                |        |      |
|      |        |      |                         |                            |        |      |
|      |        |      |                         |                            |        |      |
|      |        |      |                         |                            |        |      |
|      |        |      |                         |                            |        |      |
|      |        |      |                         |                            |        |      |
|      |        |      |                         |                            |        |      |
|      |        |      |                         |                            |        |      |
|      |        |      |                         |                            |        |      |
|      |        |      |                         |                            |        |      |
|      |        |      |                         |                            |        |      |
|      |        |      |                         |                            |        |      |
|      |        |      |                         |                            |        |      |

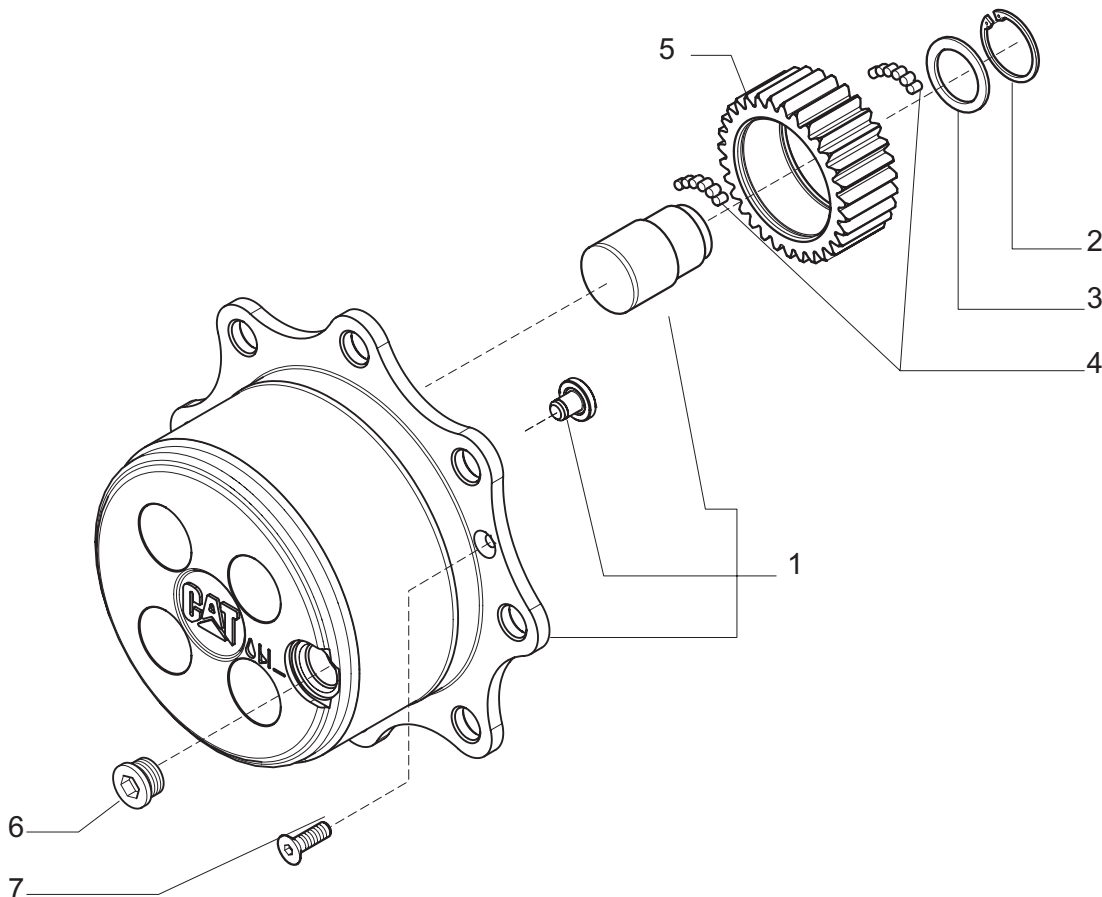


| Pos. | Ref.   | Q.ty | Descrizione           | Description       | Kit    | Note |
|------|--------|------|-----------------------|-------------------|--------|------|
| 1    | 143726 | 2    | Doppio giunto         | Double joint      |        |      |
| 2    | 046445 | 2    | Forcella (lato diff.) | Fork (diff. Side) | 143726 |      |
| 3    | 046279 | 2    | Corpo centrale        | Central body      | 143726 |      |
| 4    | 046297 | 4    | Crocera               | Spider            | 143726 |      |
| 5    | 040953 | 16   | Anello d'arresto      | Lock ring         | 143726 |      |
| 5    | 040990 | 16   | Anello d'arresto      | Lock ring         | 143726 |      |
| 5    | 040991 | 16   | Anello d'arresto      | Lock ring         | 143726 |      |
| 5    | 040994 | 16   | Anello d'arresto      | Lock ring         | 143726 |      |
| 6    | 046444 | 2    | Forcella (lato ruota) | Fork (wheel side) | 143726 |      |
| 7    | 142981 | 2    | Rondella rasamento    | Thrust washer     |        |      |
| 8    | 145367 | 2    | Rondella              | Washer            |        |      |
| 9    | 143597 | 2    | Anello arresto        | Lock ring         |        |      |
|      |        |      |                       |                   |        |      |
|      |        |      |                       |                   |        |      |
|      |        |      |                       |                   |        |      |
|      |        |      |                       |                   |        |      |
|      |        |      |                       |                   |        |      |
|      |        |      |                       |                   |        |      |
|      |        |      |                       |                   |        |      |
|      |        |      |                       |                   |        |      |
|      |        |      |                       |                   |        |      |
|      |        |      |                       |                   |        |      |
|      |        |      |                       |                   |        |      |
|      |        |      |                       |                   |        |      |
|      |        |      |                       |                   |        |      |
|      |        |      |                       |                   |        |      |



| Pos. | Ref.   | Q.ty | Descrizione               | Description     | Kit    | Note |
|------|--------|------|---------------------------|-----------------|--------|------|
| 1    | 148307 | 2    | Anello tenuta             | Seal ring       |        |      |
| 2    | 118370 | 4    | Cuscinetto a rulli        | Bearing         |        |      |
| 3    | 068219 | 2    | Kit mozzo ruota           | Wheel hub kit   |        |      |
| 4    | 147720 | 16   | Prigioniero               | Stud            | 068219 |      |
| 5    | 028267 | 2    | Anello OR                 | O.ring          |        |      |
| 6    | 148285 | 2    | Distanziale               | Spacer          |        |      |
| 7    | 125452 | 2    | Corona epicicloidale Z=60 | Crown gear Z=60 |        |      |
| 8    | 125344 | 2    | Anello arresto            | Lock ring       |        |      |
| 9    | 148306 | 6    | Vite M10x12               | Bolt M10x12     |        |      |
| 10   | 148257 | 2    | Ghiera M90x2              | Ring nut M90x2  |        |      |
| 11   | 148259 | 2    | Fermo ghiera              | Locking plate   |        |      |
| 12   | 148258 | 2    | Mozzo fermo corona        | Wheel carrier   |        |      |
|      |        |      |                           |                 |        |      |
|      |        |      |                           |                 |        |      |
|      |        |      |                           |                 |        |      |
|      |        |      |                           |                 |        |      |
|      |        |      |                           |                 |        |      |
|      |        |      |                           |                 |        |      |
|      |        |      |                           |                 |        |      |
|      |        |      |                           |                 |        |      |
|      |        |      |                           |                 |        |      |
|      |        |      |                           |                 |        |      |
|      |        |      |                           |                 |        |      |
|      |        |      |                           |                 |        |      |
|      |        |      |                           |                 |        |      |
|      |        |      |                           |                 |        |      |
|      |        |      |                           |                 |        |      |
|      |        |      |                           |                 |        |      |
|      |        |      |                           |                 |        |      |
|      |        |      |                           |                 |        |      |
|      |        |      |                           |                 |        |      |
|      |        |      |                           |                 |        |      |
|      |        |      |                           |                 |        |      |





| Pos. | Ref.   | Q.ty | Descrizione              | Description              | Kit | Note |
|------|--------|------|--------------------------|--------------------------|-----|------|
| 1    | 068009 | 2    | Kit treno portasatelliti | Planetary carrier assy   |     |      |
| 2    | 024793 | 8    | Anello seeger D.38       | Snap ring D.38           |     |      |
| 3    | 135366 | 8    | Ralla 55x34.6x1.5        | Washer 55x34.6x1.5       |     |      |
| 4    | 028370 | 44.8 | Rullini (a decine)       | Needle bearing (by tens) |     |      |
| 5    | 135947 | 8    | Ingranaggio Z=23         | Gear Z=23                |     |      |
| 6    | 125280 | 2    | Tappo M30x2              | Plug M30x2               |     |      |
| 7    | 020490 | 4    | Vite M8x20               | Bolt M8x20               |     |      |
|      |        |      |                          |                          |     |      |
|      |        |      |                          |                          |     |      |
|      |        |      |                          |                          |     |      |
|      |        |      |                          |                          |     |      |
|      |        |      |                          |                          |     |      |
|      |        |      |                          |                          |     |      |
|      |        |      |                          |                          |     |      |
|      |        |      |                          |                          |     |      |
|      |        |      |                          |                          |     |      |
|      |        |      |                          |                          |     |      |
|      |        |      |                          |                          |     |      |
|      |        |      |                          |                          |     |      |
|      |        |      |                          |                          |     |      |
|      |        |      |                          |                          |     |      |
|      |        |      |                          |                          |     |      |
|      |        |      |                          |                          |     |      |
|      |        |      |                          |                          |     |      |
|      |        |      |                          |                          |     |      |

| Kit    | Ref.   | Descrizione               | Description              | Q.ty | Note |
|--------|--------|---------------------------|--------------------------|------|------|
| 143727 | -      | Asta guida                | Steering arm             | -    |      |
| -      | 352265 | Tirante                   | Tie rod                  | 1    |      |
| -      | 070787 | Dado                      | Nut                      | 1    |      |
| -      | 351504 | Snodo sferico             | Ball joint               | 1    |      |
| 145847 | -      | Martinetto                | Steering cylinder        | -    |      |
| -      | 049951 | Testata martinetto        | Steering cylinder head   | 1    |      |
| -      | 049950 | Stelo                     | Rod                      | 1    |      |
| -      | 049949 | Kit guarnizioni           | Gasket kit               | 1    |      |
| 143726 | -      | Doppio giunto             | Double U-joint           | -    |      |
| -      | 046445 | Semiassa (lato diff.)     | Half-shaft (diff. side)  | 1    |      |
| -      | 046279 | Corpo centrale            | Central body             | 1    |      |
| -      | 046297 | Crociera                  | Spider                   | 2    |      |
| -      | 040953 | Anello d'arresto          | Lock ring                | 8    |      |
| -      | 040990 | Anello d'arresto          | Lock ring                | 8    |      |
| -      | 040991 | Anello d'arresto          | Lock ring                | 8    |      |
| -      | 040994 | Anello d'arresto          | Lock ring                | 8    |      |
| -      | 046444 | Semiassa (lato ruota)     | Half-shaft (wheel side)  | 1    |      |
| 068006 | -      | Kit coppia conica Z13/30  | Bevel gear/Pinion Z13/30 | -    |      |
| -      | -      | coppia conica Z13/30      | Bevel gear/Pinion Z13/30 | 1    |      |
| -      | 125829 | Rondella                  | Washer                   | 2    |      |
| -      | 126369 | Distanziale elastico      | Collapsible spacer       | 1    |      |
| -      | 028125 | Anello OR                 | O.ring                   | 1    |      |
| -      | 143003 | Rondella                  | Washer                   | 1    |      |
| -      | 133548 | Ghiera M24x1.5            | Ring nut M24x1.5         | 1    |      |
| 068007 | -      | Kit ingr. differenziale   | Differential kit         | -    |      |
| -      | -      | Gruppo ingranaggi Z=11/16 | Gear kit Z=11/16         | 1    |      |
| -      | 115730 | Ralla                     | Thrust washer            | 2    |      |
| -      | 115731 | Perno                     | Pin                      | 1    |      |
| -      | 145841 | Spina D7x91               | Pin D7x91                | 1    |      |
| -      | 148314 | Controdisco               | Counter disc             | 2    |      |
| 068219 | -      | Kit mozzo ruota           | Wheel hub kit            | -    |      |
| -      | -      | Mozzo ruota               | Wheel hub                | 1    |      |
| -      | 147720 | Prigioniero               | Stud                     | 8    |      |
| 068009 | -      | Kit treno portasatelliti  | Planetary carrier assy   | -    |      |
| -      | -      | Treno portasatelliti      | Planetary carrier        | 1    |      |
| -      | -      | Perno                     | Pin                      | 4    |      |
| -      | -      | Pattino                   | Pad                      | 1    |      |