

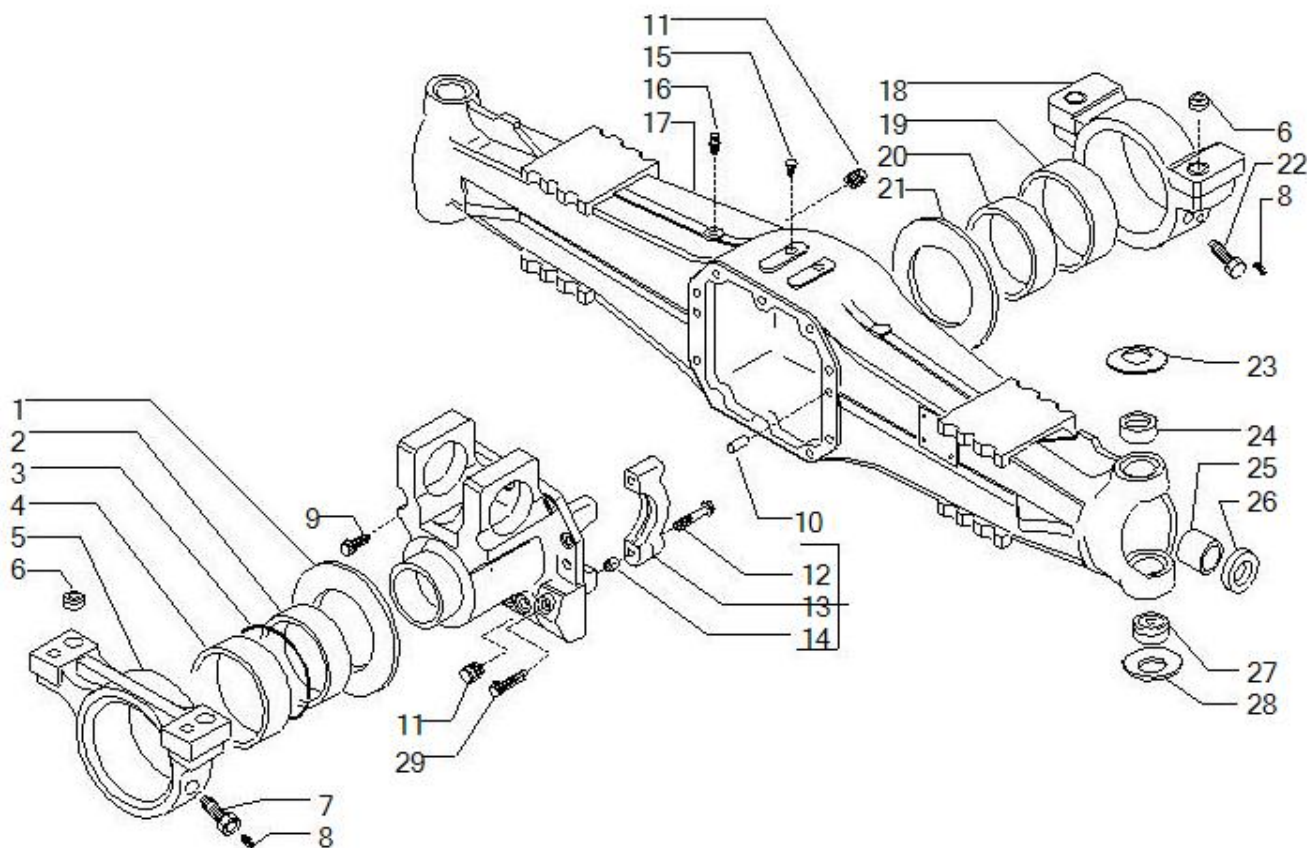


**Spare parts catalogue**

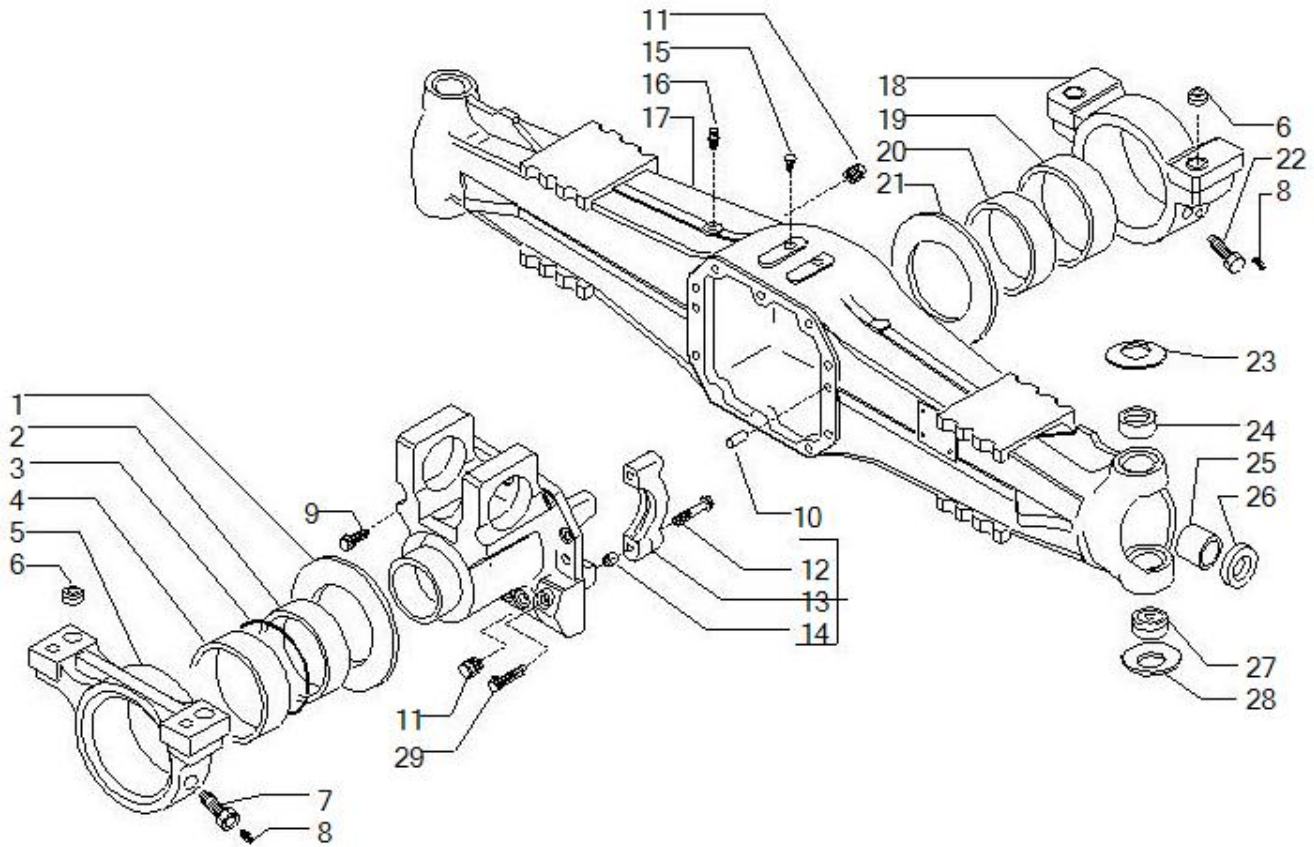
**AXLE 26.20\_(CM13611)**

**REF: 371718**

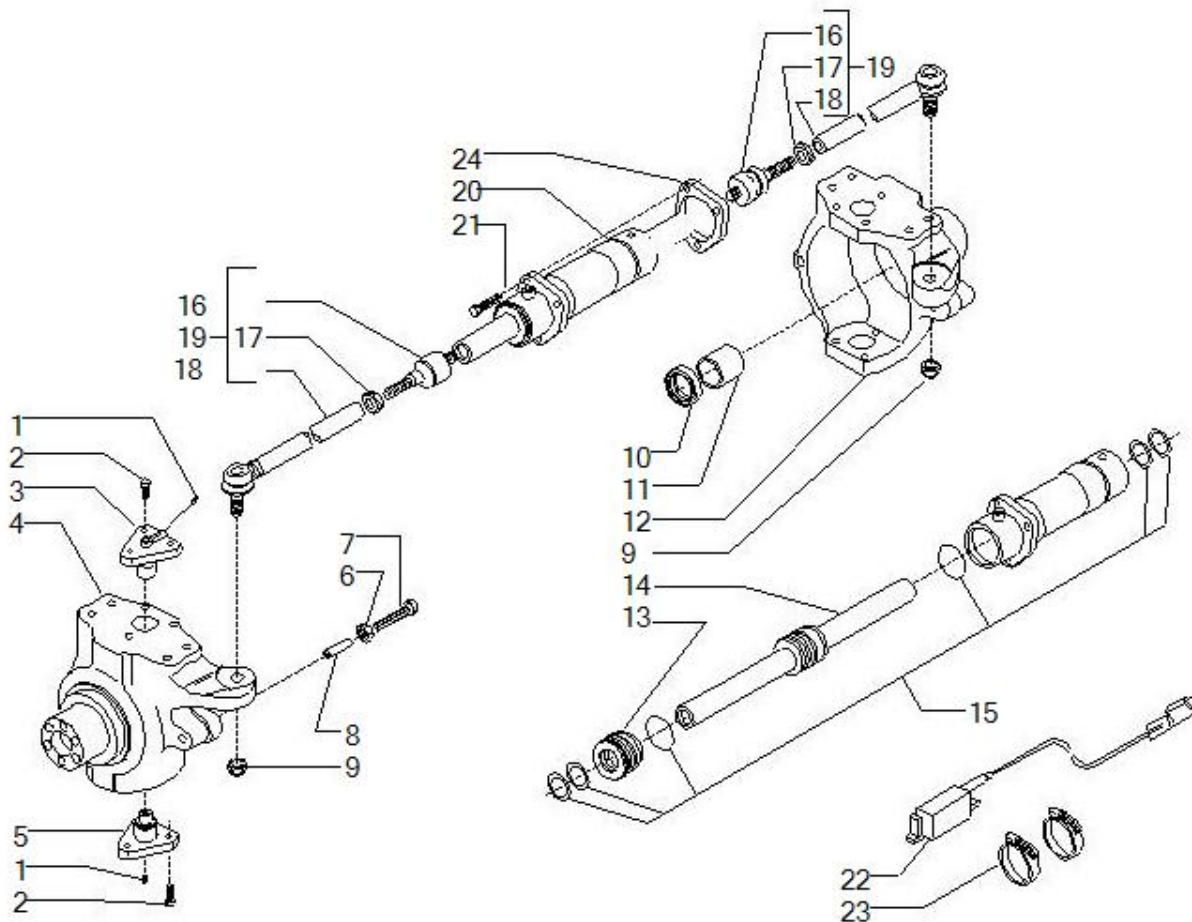
- 1.1 Axle housing**
- 2.1 Swivel housings and steering cylinder**
- 3.1 Bevel gear set**
- 4.1 Differential**
- 5.1 Double U-joint**
- 6.1 Wheel hub**
- 7.1 Final reduction**



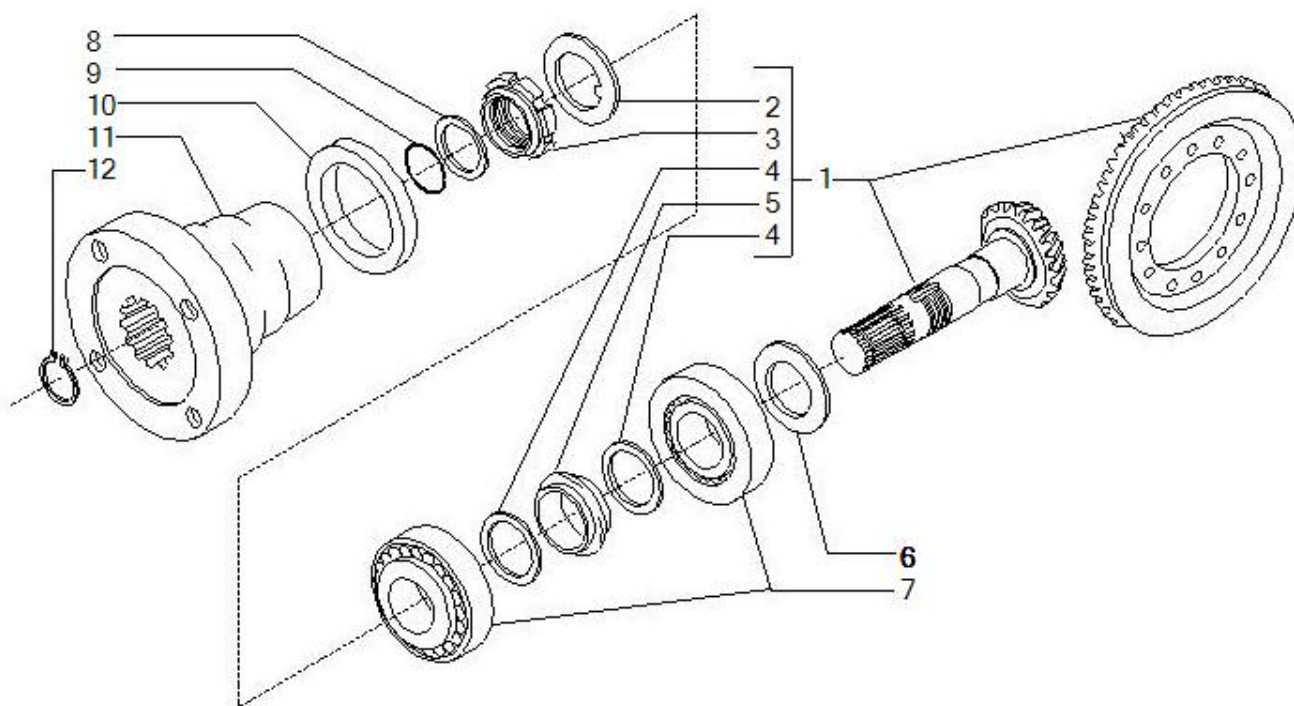
Pos	Ref	Qty	Description	Kit	Note
	072235	4	Centering bush	137944	
	126022	4	HEX HEAD FLANGE SCREW M14X2X75 12.9 GRIF	137944	
1	124591	1	THRUST SHOE 115.5X154X5		
2	124592	1	SWING BUSHING 115X125X44		
3	028498	1	O.ring		
4	123475	1	SWING BUSHING 125X135X42		
5	380396	1	AXLE SUPPORT		
6	116529	4	BUSH 30X21X16.5		
7	116530	1	DRILLED SCREW		
8	024258	2	Greaser nipple M8x1		
9	125827	5	HEX HEAD FLANGE SCREW M12X1.75X29 12.9 C		
10	087660	2	Pin		
11	092270	2	Oil plug M22x1,5		
12	126022	4	HEX HEAD FLANGE SCREW M14X2X75 12.9 GRIF		
13	137944	1	I.S.C.DIFF.SUPPORT (011705)		
14	072235	4	Centering bush		
15	030740	2	Plug M10x1		
16	104988	1	BREATHER M10X1		
17	146001	1	BEAM 26.20 (012014)		
18	134714	1	AXLE SUPPORT Front		
19	132512	1	SWING BUSHING 120X130X42		
20	131762	1	SWING BUSHING 110X120X46		
21	150031	1	THRUST SHOE 110.5X154X5		
22	120780	1	HEX HEAD SCREW C40 M16		
23	128633	2	BELLEVILLE WASHER 71x36x2.5		



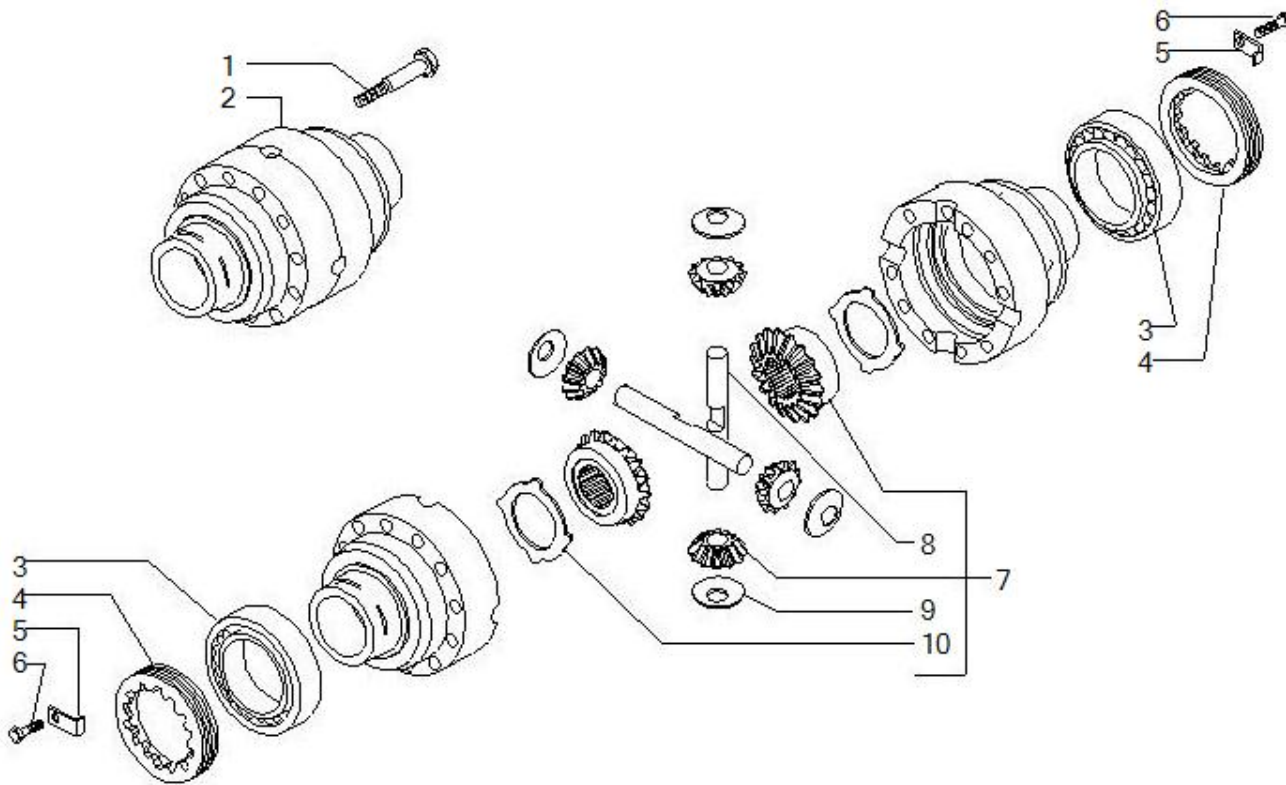
Pos	Ref	Qty	Description	Kit	Note
24	045168	2	KING PIN BUSH 35X52X20		
25	118547	2	BUSHING 42X46X32 P AB C		
26	139101	2	COMBI RING 42X62X21.5 SF6		
27	045161	2	SPHERICAL BALL 28X52X16 (GE28SX)		
28	128630	2	BELLEVILLE WASHER 70x47.5x1		
29	126334	5	HEX HEAD FLANGE SCREW		



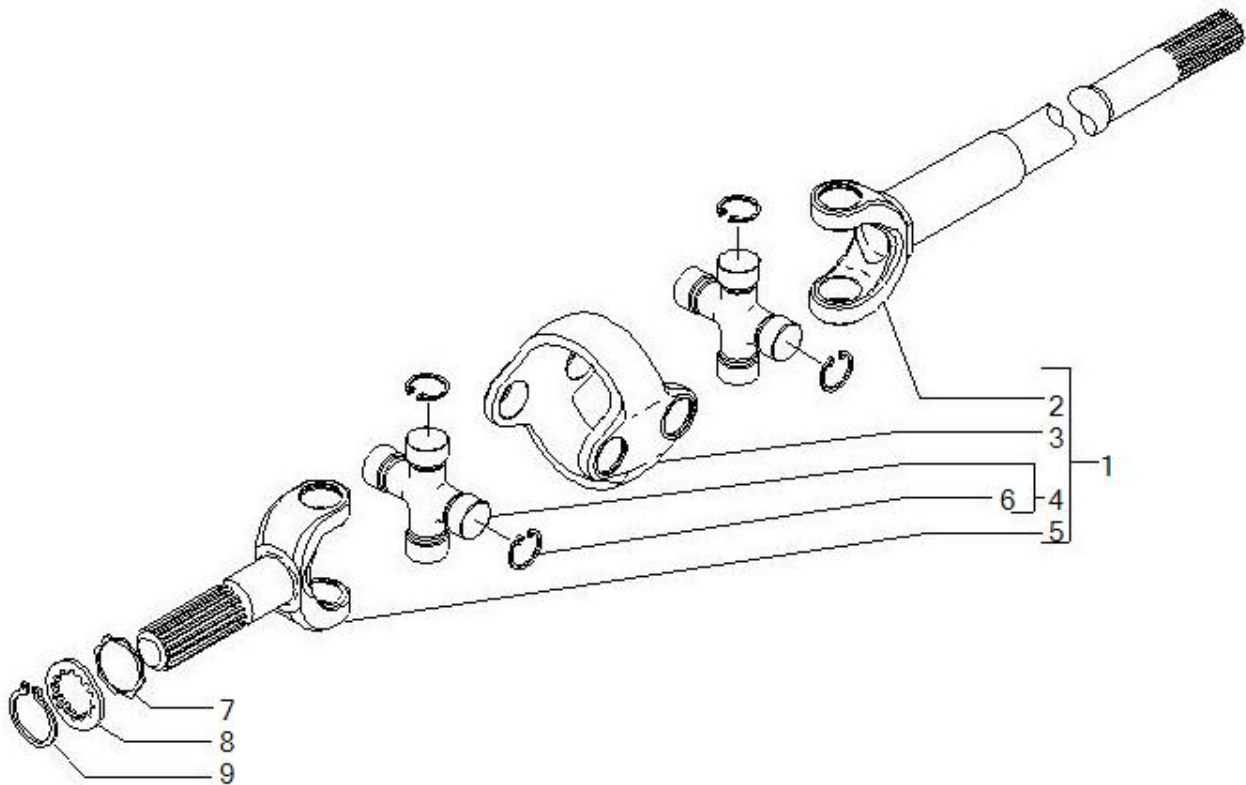
Pos	Ref	Qty	Description	Kit	Note
1	024210	4	LUBRIFICATING NIPPLES UNI 7663 A M6X16		
2	126922	12	SELF-LOCKING SCREW M14X2X35 10.9		
3	128880	2	SWIVEL HOUSING KING PIN (017577)		
4	145273	1	SWIVEL HOUSING LH (012869)		
5	128881	2	SWIVEL HOUSING KING PIN (17576)		
6	022129	4	HEXAGON NUT UNI 5589 M16 8		
7	124748	4	HEX HEAD SCREW UNI 5739 M16X100 STEERING		
8	128278	4	BUSH 24.5X16.5X25		
9	022431	2	Nut M20x1.5		
10	144485	2	COMBI RING 45X60X16 SF8		
11	125390	2	BUSHING AB C 45X50X35 P		
12	145272	1	SWIVEL HOUSING RH (012868)		
13	049138	1	Cylinder head	641448	A
14	048844	1	Rod	641448	A
15	048845	1	GASKETS KIT MARTINETTO 800280191	641448	A
16	049013	1	Ball joint	135578	
17	070787	1	Nut M24x1.5	135578	
18	049029	1	Tie rod	135578	
19	135578	2	STEERING ROD		
20	641448	1	STEERING CYLINDER 85-38-200 S - Fe		
21	021097	3	Bolt M12x55		
22	374296	1	MAGNETIC SENSOR NPN OPEN L700 (Fe52)		
23	028352	2	Clamp		
24	137945	1	FLANGIA		



Pos	Ref	Qty	Description	Kit	Note
	113717	1	SAFETY WASHER	066093	
	115054	1	RING NUT M40X1.5	066093	
	125806	1	ELASTIC SPACER 45X42X22.7	066093	
	125829	2	THRUST SHOE 40.5X50X2	066093	
1	066093	1	Bevel gear/Pinion Z13/31		
2	113717	1	SAFETY WASHER		
3	115054	1	RING NUT M40X1.5		
4	125829	2	THRUST SHOE 40.5X50X2		
5	125806	1	ELASTIC SPACER 45X42X22.7		
7	027350	2	Bearing		
8	123402	1	WASHER C70 UNI 3545-68A NASTRO TEMPRATO		
9	028532	1	O.ring		
10	145050	1	CASSETTE RAD.SHAFT SEALX/ 65X92X10/15		
11	132943	1	FLANGIA SAE 1410		
12	024789	1	Snap ring		

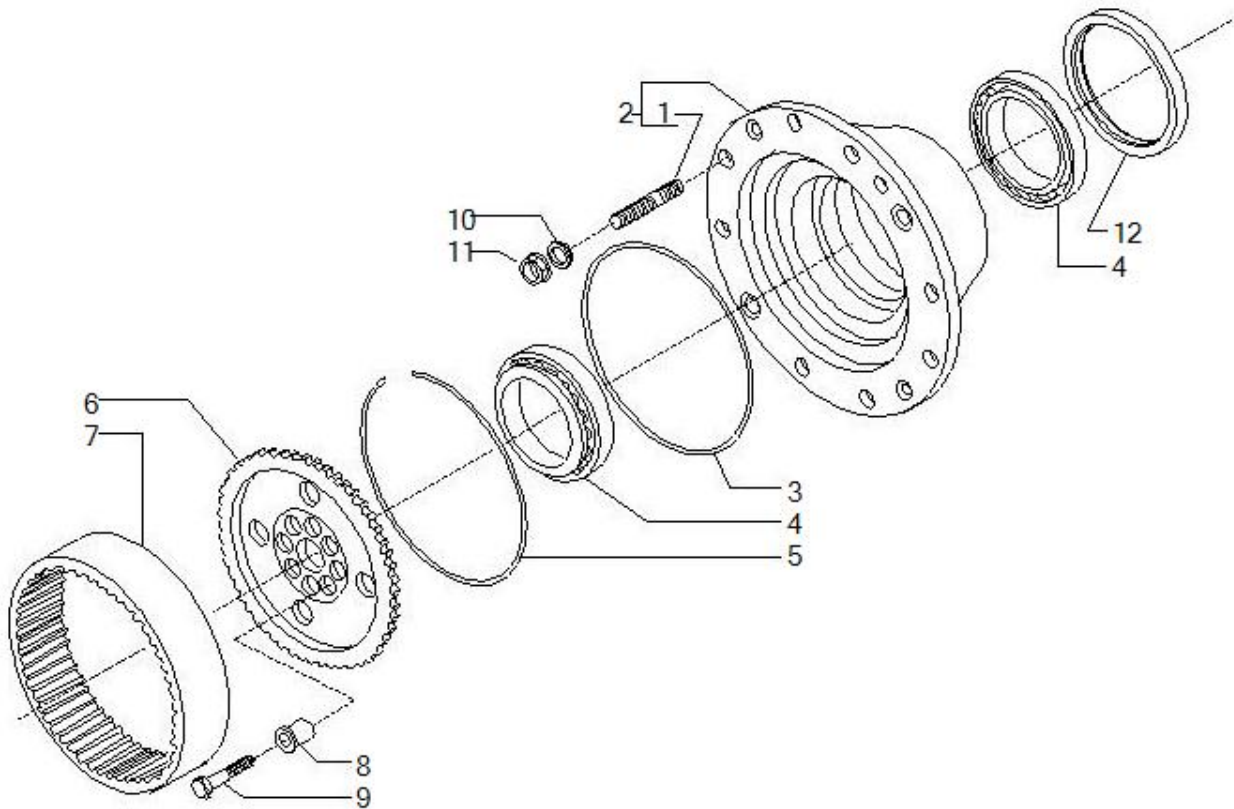


Pos	Ref	Qty	Description	Kit	Note
1	125552	12	HEX HEAD SCREW M10X1.5X75 12.9 ATB		
2	137972	1	COMPLETE DIFF.HOUSING		
3	027309	2	Bearing		
4	107400	2	RING NUT M94X2 (16988)		
5	107778	2	RING NUT STOP		
6	128440	2	SELF-LOCKING SCREW M6X10 10.9		
7	066156	1	Differential kit		
8	116369	2	DIFF.PLANET.GEAR PIN	066156	
9	115730	4	SPHERICAL WASHER	066156	
10	120361	2	COUNTERPLATE Diff. locking SP. 1.5	066156	

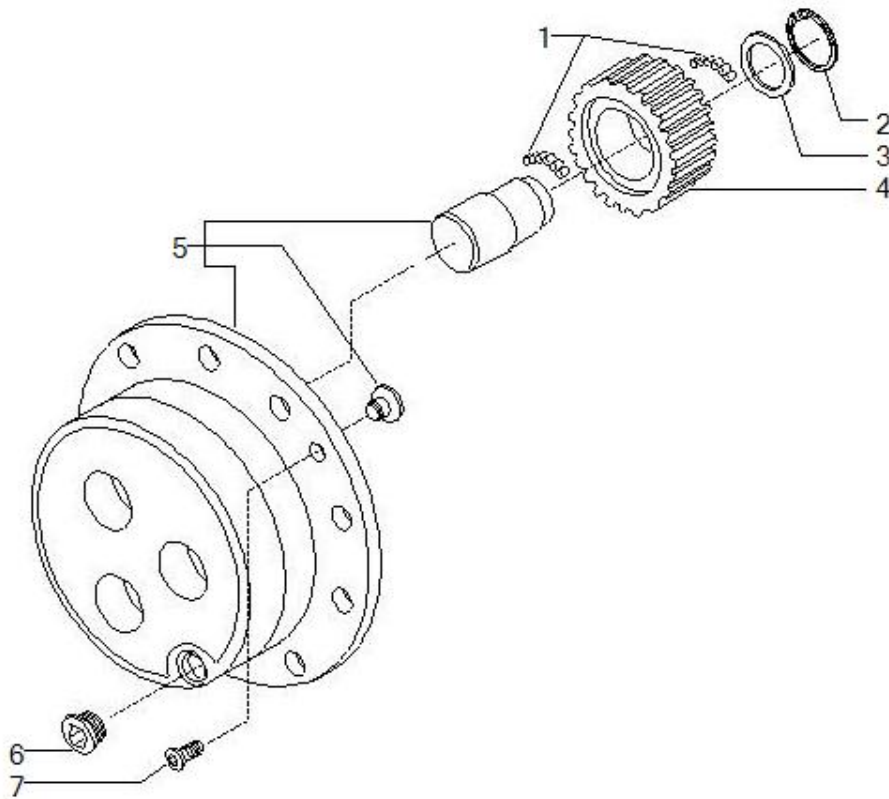


<b>Pos</b>	<b>Ref</b>	<b>Qty</b>	<b>Description</b>	<b>Kit</b>	<b>Note</b>
1	144607	2	DOUBLE U-JOINT B310 55 DF		
2	046218	2	Fork (diff. side)	144607	
3	046215	2	Central body	144607	
4	046217	4	Spider	144607	
5	046175	2	Fork (wheel side)	144607	
7	132165	2	THRUST WASHER 45.3X60X2.5 C67 UNI 7064-8		
8	141366	2	TOOTHED WASHER 44.6X52X4		
9	141368	2	Q RING		





Pos	Ref	Qty	Description	Kit	Note
1	130679	16	STUD 8.8 L76 R18X2.5X18.7 D18X1.5X4	068313	
2	068313	2	Wheel hub kit		
3	028603	2	O.ring		
4	045180	4	TAPE ROLLER THRUST BEARING 158.75X109.53		
5	125344	2	CIRCLIP 188.7X3.5		
6	134298	2	EPIC. WHEEL CARRIER HUB		
7	134299	2	EPICYCLOIDAL RING GEAR		
8	141196	16	CENTERING BUSH		
9	140259	16	SELF-LOCKING SCREW M12X45 10.9		
10	119505	16	SPHERICAL WASHER 18.5 DIN 74361/2B		
11	115812	16	HEXAGON NUT DIN 74361 M18X1.5		
12	047702	2	Seal ring		



<b>Pos</b>	<b>Ref</b>	<b>Qty</b>	<b>Description</b>	<b>Kit</b>	<b>Note</b>
1	028370	336	Bearing needles (by tens)		
2	024793	6	Snap ring		
3	135366	6	FIFTH WHEEL 38.1X45X2.4		
4	135947	6	EPIC.PLANETARY GEAR Z23 M3 L40.6		
5	066285	2	Planetary carrier assy		
6	125280	2	MAGNETIC PLUG M30X2		
7	020490	4	Bolt		