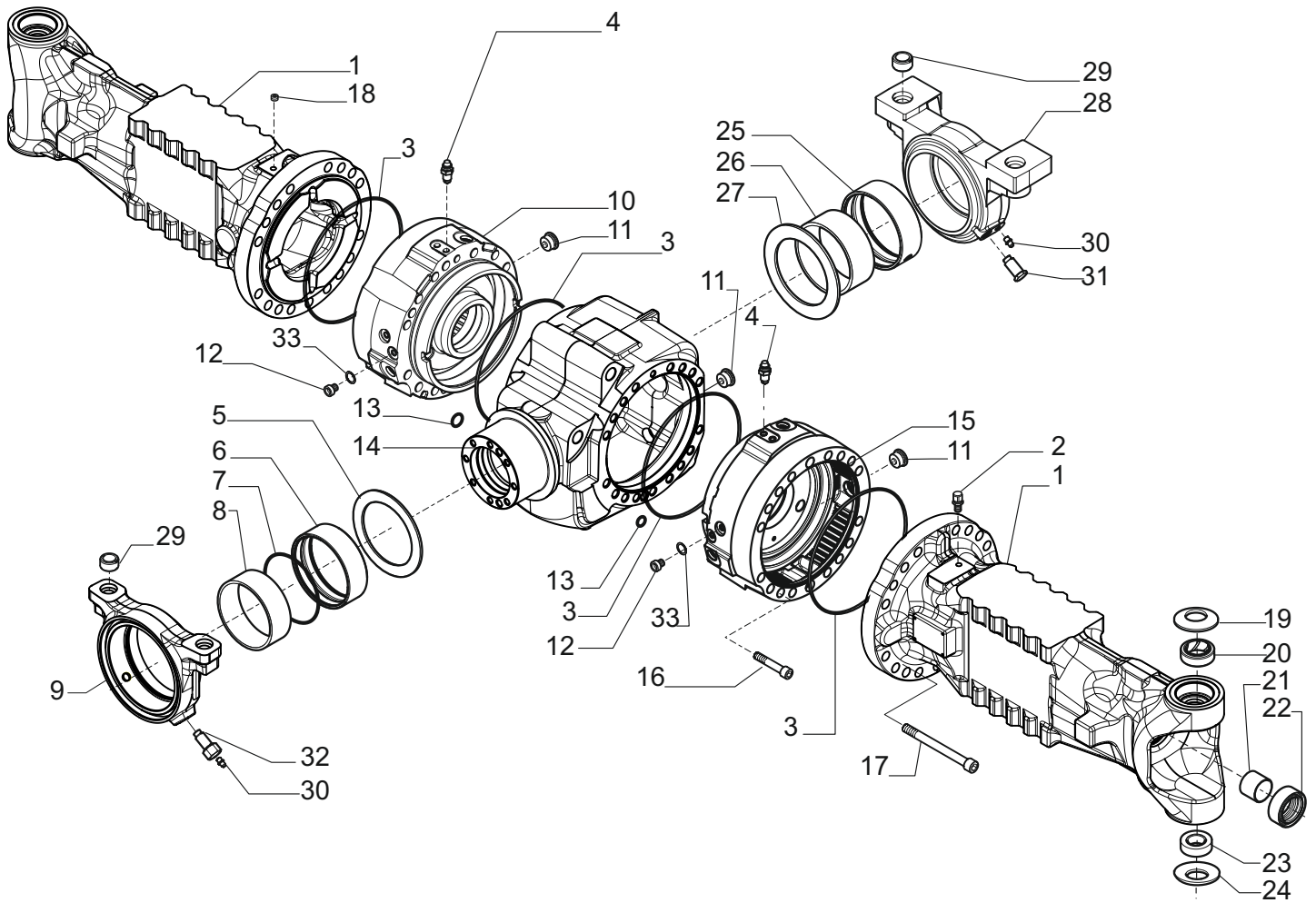




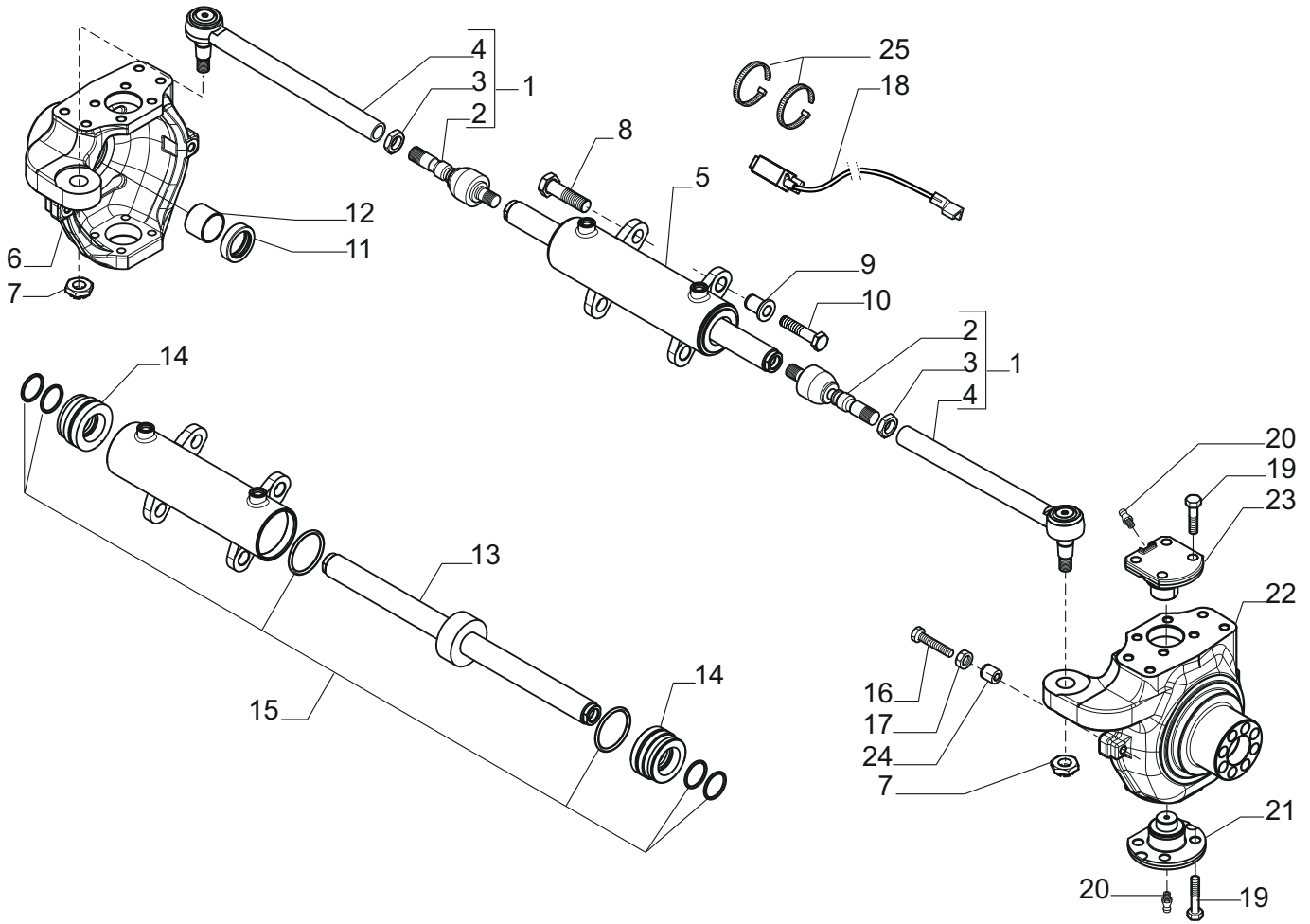
**Catalogo Parti Di Ricambio**  
***Spare Parts List***

**ASSALE 26.27M**  
**26.27M AXLE**  
**REF. 635603**

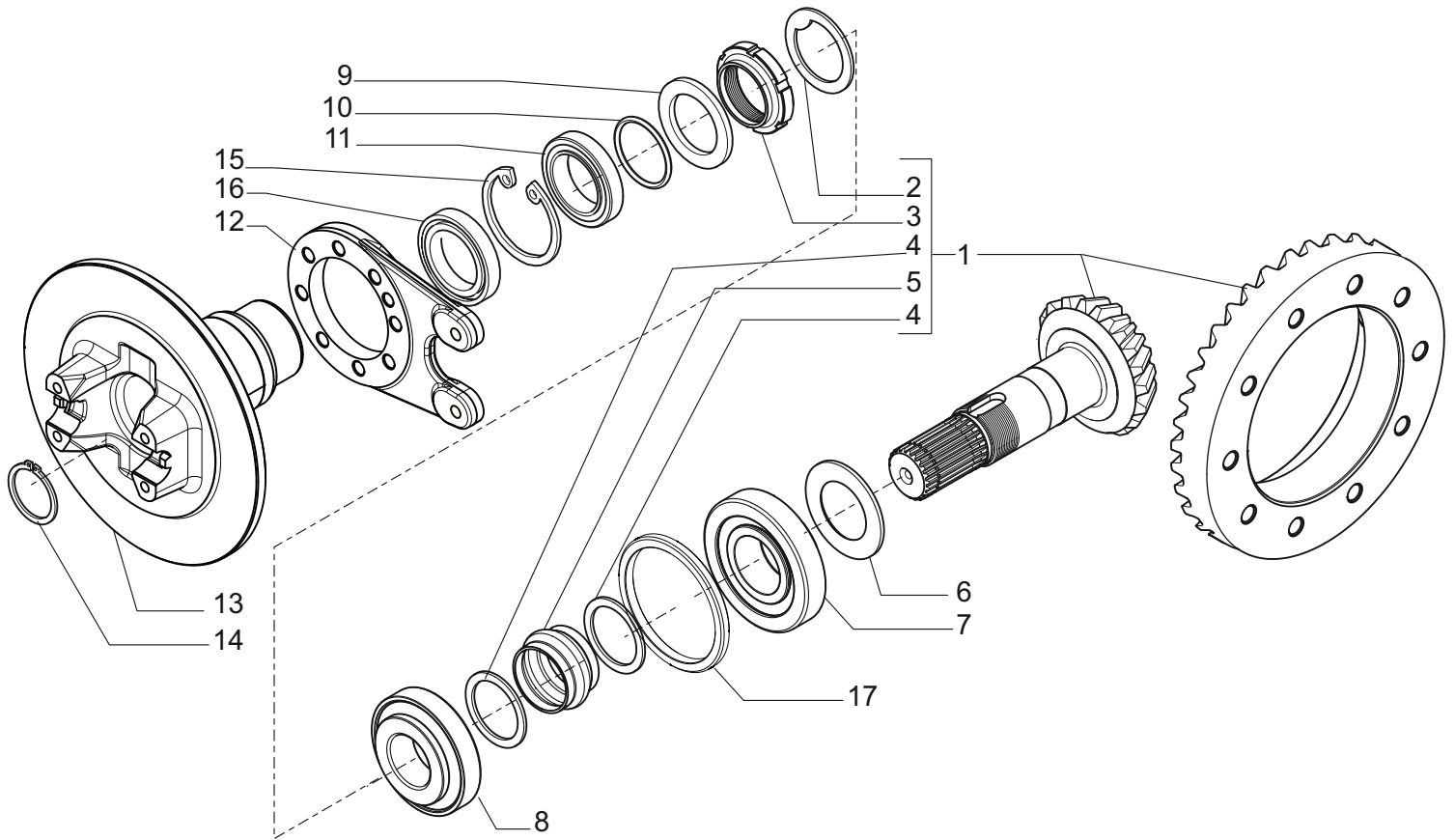
- 1.0.0 Corpo assale  
*Axle housing*
- 2.0.0 Calotte e cilindro di sterzo  
*Swivel housings and steering cylinder*
- 3.0.0 Coppia conica  
*Bevel gear set*
- 4.0.0 Differenziale  
*Differential*
- 5.0.0 Doppio giunto  
*Double U-joint*
- 6.0.0 Freni  
*Brakes*
- 7.0.0 Mozzo ruota  
*Wheel hub*
- 8.0.0 Riduzione epicicloidale  
*Final reduction*
- 9.0.0 Pinza freno  
*Brake caliper*
- 10.0.0 Sommario kit  
*Kit summary*



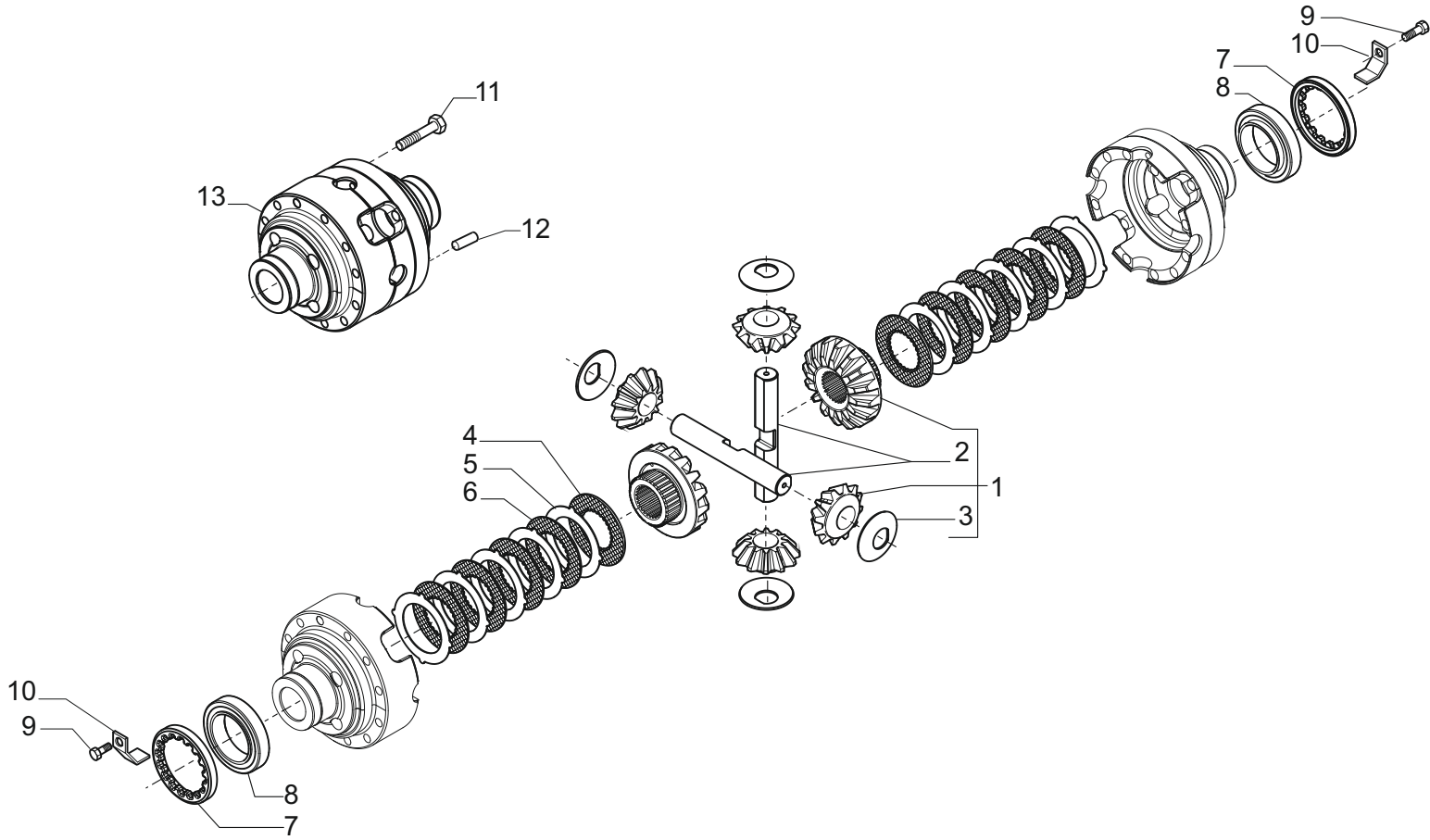
| Pos. | Ref.   | Q.ty | Descrizione         | Description         | Kit | Note |
|------|--------|------|---------------------|---------------------|-----|------|
| 1    | 338904 | 2    | Tromba trave        | Leg housing         |     |      |
| 2    | 104988 | 1    | Sfiato M10x1        | Breather M10x1      |     |      |
| 3    | 028562 | 4    | Anello OR           | O.ring              |     |      |
| 4    | 116792 | 2    | Sfiato M10x1        | Breather M10x1      |     |      |
| 5    | 141883 | 1    | Ralla               | Thrust washer       |     |      |
| 6    | 141885 | 1    | Boccola             | Bush                |     |      |
| 7    | 028529 | 1    | Anello OR           | O.ring              |     |      |
| 8    | 141884 | 1    | Boccola             | Bush                |     |      |
| 9    | 338877 | 1    | Supporto posteriore | Rear support        |     |      |
| 10   | 642159 | 1    | Cilindro freno SX   | LH brake cylinder   |     |      |
| 11   | 125280 | 1    | Tappo M30x2         | Plug M30x2          |     |      |
| 12   | 021591 | 2    | Tappo M10x1         | Plug M10x1          |     |      |
| 13   | 028111 | 2    | Anello OR           | O.ring              |     |      |
| 14   | 338934 | 1    | Corpo centrale      | Central body        |     |      |
| 15   | 642160 | 1    | Cilindro freno DX   | RH brake cylinder   |     |      |
| 16   | 021334 | 2    | Vite M12x110        | Bolt M12x110        |     |      |
| 17   | 021716 | 34   | Vite M16x160        | Bolt M16x160        |     |      |
| 18   | 021558 | 1    | Tappo M10x1         | Plug M10x1          |     |      |
| 19   | 128632 | 2    | Molla tazza         | Belleville washer   |     |      |
| 20   | 144558 | 2    | Boccola             | Bush                |     |      |
| 21   | 116962 | 2    | Bronzina            | Bush                |     |      |
| 22   | 126403 | 2    | Anello di tenuta    | Seal ring           |     |      |
| 23   | 027693 | 2    | Snodo sferico       | Spherical bearing   |     |      |
| 24   | 128631 | 2    | Molla tazza         | Belleville washer   |     |      |
| 25   | 132512 | 1    | Boccola             | Bush                |     |      |
| 26   | 131762 | 1    | Boccola             | Bush                |     |      |
| 27   | 150031 | 1    | Ralla               | Thrust washer       |     |      |
| 28   | 136102 | 1    | Supporto anteriore  | Front support       |     |      |
| 29   | 116529 | 4    | Bussola             | Bush                |     |      |
| 30   | 024258 | 2    | Ingrassatore M8x1   | Greaser nipple M8x1 |     |      |
| 31   | 141446 | 1    | Vite M16            | Bolt M16            |     |      |
| 32   | 116530 | 1    | Vite                | Bolt                |     |      |
| 33   | 023260 | 2    | Rondella            | Washer              |     |      |



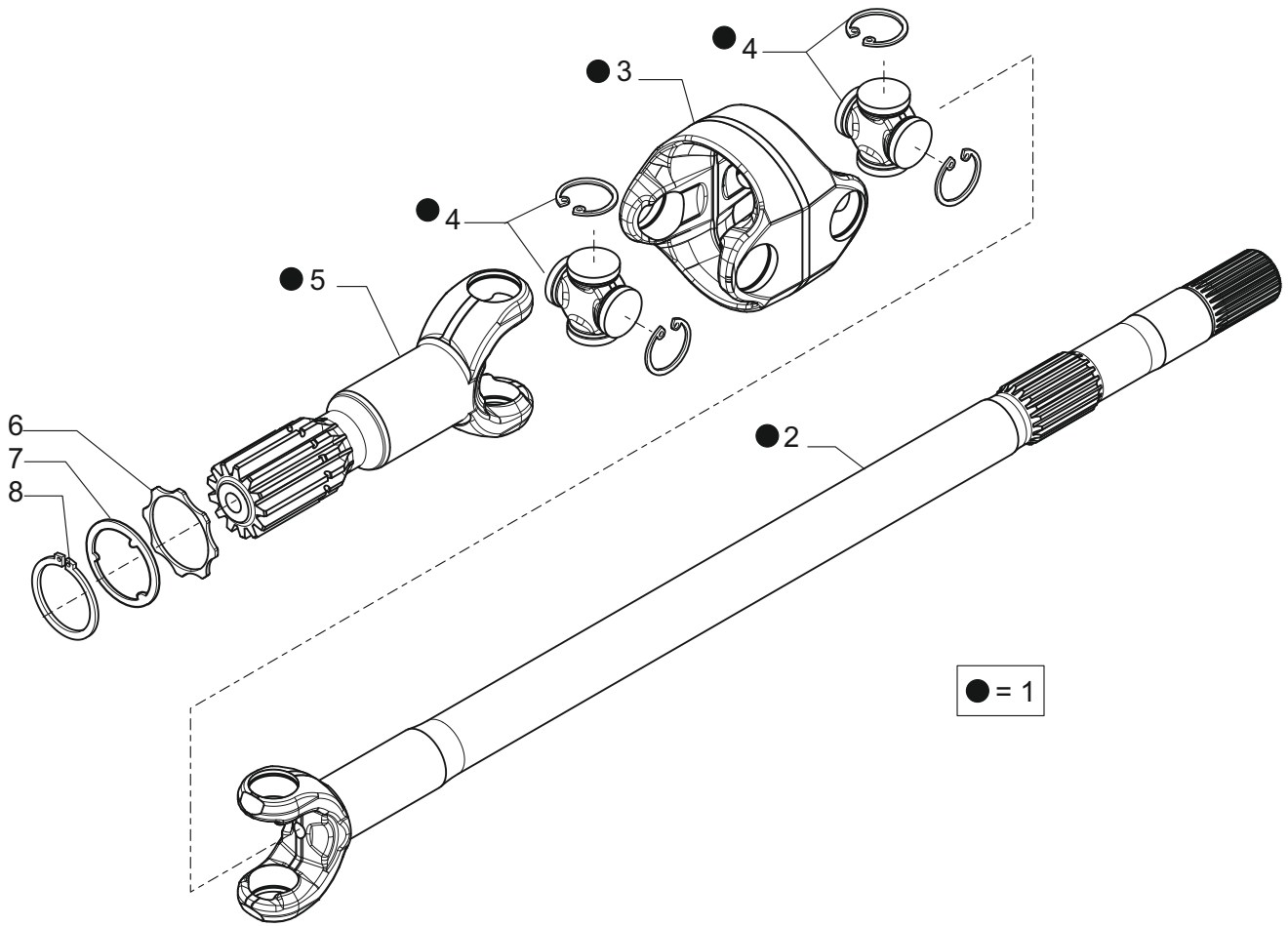
| Pos. | Ref.   | Q.ty | Descrizione        | Description         | Kit    | Note |
|------|--------|------|--------------------|---------------------|--------|------|
| 1    | 143007 | 2    | Asta guida         | Steering arm assy   |        |      |
| 2    | 351504 | 2    | Snodo sferico      | Ball joint          | 143007 |      |
| 3    | 070787 | 2    | Dado M24x10        | Nut M24x10          | 143007 |      |
| 4    | 352177 | 2    | Tirante            | Tie rod             | 143007 |      |
| 5    | 635647 | 1    | Martinetto         | Steering cylinder   |        |      |
| 6    | 146962 | 1    | Calotta SX         | LH Swivel housing   |        |      |
| 7    | 022446 | 2    | Dado M24x1.5       | Nut M24x1.5         |        |      |
| 8    | 135573 | 2    | Vite M22x55        | Bolt M22x55         |        |      |
| 9    | 137717 | 2    | Bussola            | Bush                |        |      |
| 10   | 119906 | 2    | Vite M14x65        | Bolt M14x65         |        |      |
| 11   | 140224 | 2    | Anello di tenuta   | Seal ring           |        |      |
| 12   | 125161 | 2    | Bronzina           | Bush                |        |      |
| 13   | 049345 | 1    | Stelo              | Rod                 | 635647 |      |
| 14   | 049077 | 2    | Testata martinetto | Cylinder head       | 635647 |      |
| 15   | 049344 | 1    | Kit guarnizioni    | Seal kit            | 635647 |      |
| 16   | 124748 | 4    | Vite M16x75        | Bolt M16x75         |        |      |
| 17   | 022129 | 4    | Dado M16           | Nut M16             |        |      |
| 18   | 641449 | 1    | Sensore            | Sensor              |        |      |
| 19   | 126923 | 16   | Vite M16x38        | Bolt M16x38         |        |      |
| 20   | 024210 | 4    | Ingrassatore M6x1  | Greaser nipple M6x1 |        |      |
| 21   | 130632 | 2    | Perno snodo        | King pin            |        |      |
| 22   | 146961 | 1    | Calotta DX         | RH Swivel housing   |        |      |
| 23   | 130631 | 2    | Perno snodo        | King pin            |        |      |
| 24   | 125240 | 4    | Bussola            | Bush                |        |      |
| 25   | 028412 | 2    | Fascetta           | Clamp               |        |      |
|      |        |      |                    |                     |        |      |
|      |        |      |                    |                     |        |      |
|      |        |      |                    |                     |        |      |
|      |        |      |                    |                     |        |      |
|      |        |      |                    |                     |        |      |



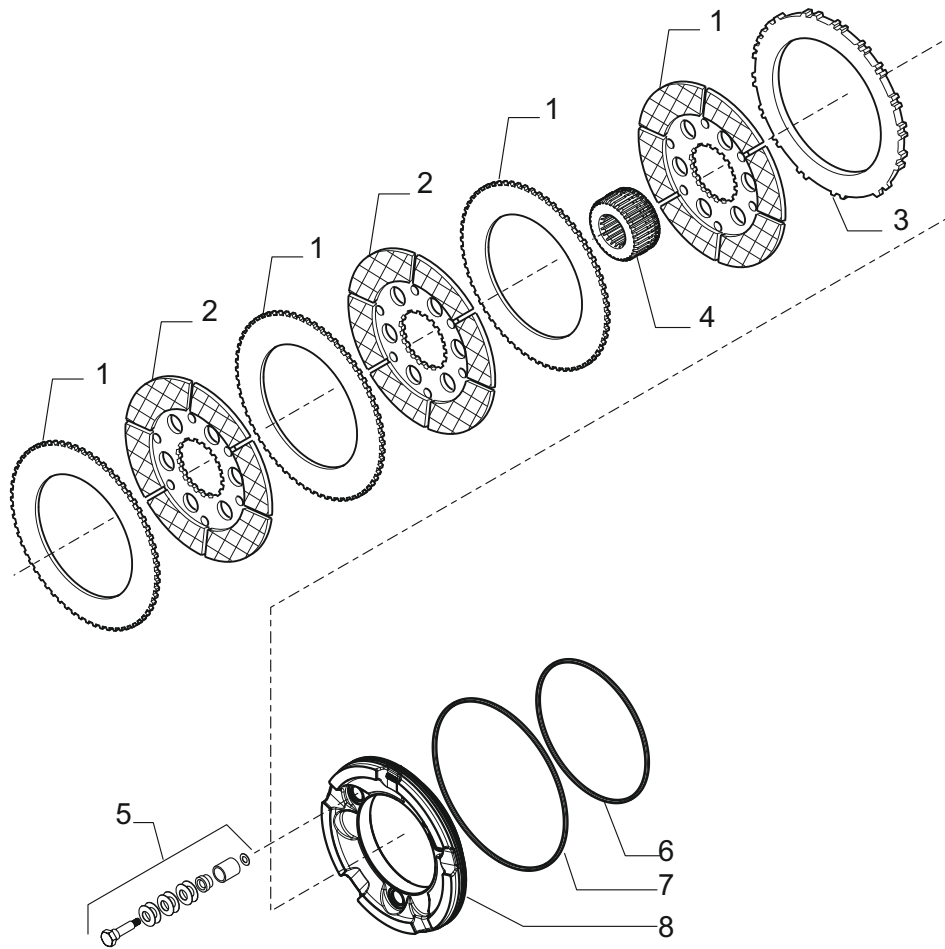
| Pos. | Ref.   | Q.ty | Descrizione             | Description          | Kit    | Note |
|------|--------|------|-------------------------|----------------------|--------|------|
| 1    | 066519 | 1    | Kit coppia conica 11/37 | Bevel gear set 11/37 |        |      |
| 2    | 113717 | 1    | Rondella fermo ghiera   | Lockwasher           | 066519 |      |
| 3    | 115054 | 1    | Ghiera M40x1.5          | Ring nut M40x1.5     | 066519 |      |
| 4    | 125829 | 2    | Rondella                | Washer               | 066519 |      |
| 5    | 126369 | 1    | Distanziale elastico    | Collapsible spacer   | 066519 |      |
| 6    | 134186 | -    | Spessore 2.50mm         | Shim 2.50mm          |        |      |
| 6    | 134187 | -    | Spessore 2.60mm         | Shim 2.60mm          |        |      |
| 6    | 134188 | -    | Spessore 2.70mm         | Shim 2.70mm          |        |      |
| 6    | 134189 | -    | Spessore 2.80mm         | Shim 2.80mm          |        |      |
| 6    | 134190 | -    | Spessore 2.90mm         | Shim 2.90mm          |        |      |
| 6    | 134191 | -    | Spessore 3.00mm         | Shim 3.00mm          |        |      |
| 6    | 134192 | -    | Spessore 3.10mm         | Shim 3.10mm          |        |      |
| 6    | 134193 | -    | Spessore 3.20mm         | Shim 3.20mm          |        |      |
| 6    | 134194 | -    | Spessore 3.30mm         | Shim 3.30mm          |        |      |
| 6    | 134195 | -    | Spessore 3.40mm         | Shim 3.40mm          |        |      |
| 7    | 027351 | 1    | Cuscinetto              | Bearing              |        |      |
| 8    | 027350 | 1    | Cuscinetto              | Bearing              |        |      |
| 9    | 123402 | 1    | Rondella                | Washer               |        |      |
| 10   | 028532 | 1    | Anello OR               | O.ring               |        |      |
| 11   | 136794 | 1    | Anello di tenuta        | Seal ring            |        |      |
| 12   | 338884 | 1    | Flangia                 | Flange               |        |      |
| 13   | 338883 | 1    | Flangia                 | Flange               |        |      |
| 14   | 024789 | 1    | Anello seeger D34       | Snap ring D34        |        |      |
| 15   | 024940 | 1    | Anello seeger           | Snap ring            |        |      |
| 16   | 025763 | 1    | Cuscinetto              | Bearing              |        |      |
| 17   | 142594 | 1    | Spessore                | Spacer               |        |      |



| Pos. | Ref.   | Q.ty | Descrizione              | Description          | Kit    | Note |
|------|--------|------|--------------------------|----------------------|--------|------|
| 1    | 068442 | 1    | Kit differenziale        | Differential kit     |        |      |
| 2    | 133035 | 2    | Perno                    | Shaft                | 068442 |      |
| 3    | 117171 | 4    | Ralla                    | Thrust washer        | 068442 |      |
| 4    | 113883 | 2    | Disco blocc. diff.       | Diff. plate          |        |      |
| 5    | 113880 | 10   | Controdisco blocc. Diff. | Diff. Drive plate    |        |      |
| 6    | 113879 | 8    | Disco blocc. diff.       | Diff. Plate          |        |      |
| 7    | 107400 | 1    | Ghiera M94x2             | Ring nut M94x2       |        |      |
| 8    | 027256 | 2    | Cuscinetto               | Bearing              |        |      |
| 9    | 128440 | 2    | Vite M6x10               | Bolt M6x10           |        |      |
| 10   | 136156 | 2    | Placchetta fermo ghiera  | Locking plate        |        |      |
| 11   | 125551 | 10   | Vite M12x90              | Bolt M12x90          |        |      |
| 12   | 117569 | 1    | Spina D12x40             | Pin D12x40           |        |      |
| 13   | 117618 | 1    | Scatola differenziale    | Differential housing |        |      |
|      |        |      |                          |                      |        |      |
|      |        |      |                          |                      |        |      |
|      |        |      |                          |                      |        |      |
|      |        |      |                          |                      |        |      |
|      |        |      |                          |                      |        |      |
|      |        |      |                          |                      |        |      |
|      |        |      |                          |                      |        |      |
|      |        |      |                          |                      |        |      |
|      |        |      |                          |                      |        |      |
|      |        |      |                          |                      |        |      |
|      |        |      |                          |                      |        |      |
|      |        |      |                          |                      |        |      |
|      |        |      |                          |                      |        |      |
|      |        |      |                          |                      |        |      |
|      |        |      |                          |                      |        |      |
|      |        |      |                          |                      |        |      |
|      |        |      |                          |                      |        |      |
|      |        |      |                          |                      |        |      |
|      |        |      |                          |                      |        |      |
|      |        |      |                          |                      |        |      |
|      |        |      |                          |                      |        |      |
|      |        |      |                          |                      |        |      |
|      |        |      |                          |                      |        |      |
|      |        |      |                          |                      |        |      |
|      |        |      |                          |                      |        |      |
|      |        |      |                          |                      |        |      |
|      |        |      |                          |                      |        |      |
|      |        |      |                          |                      |        |      |

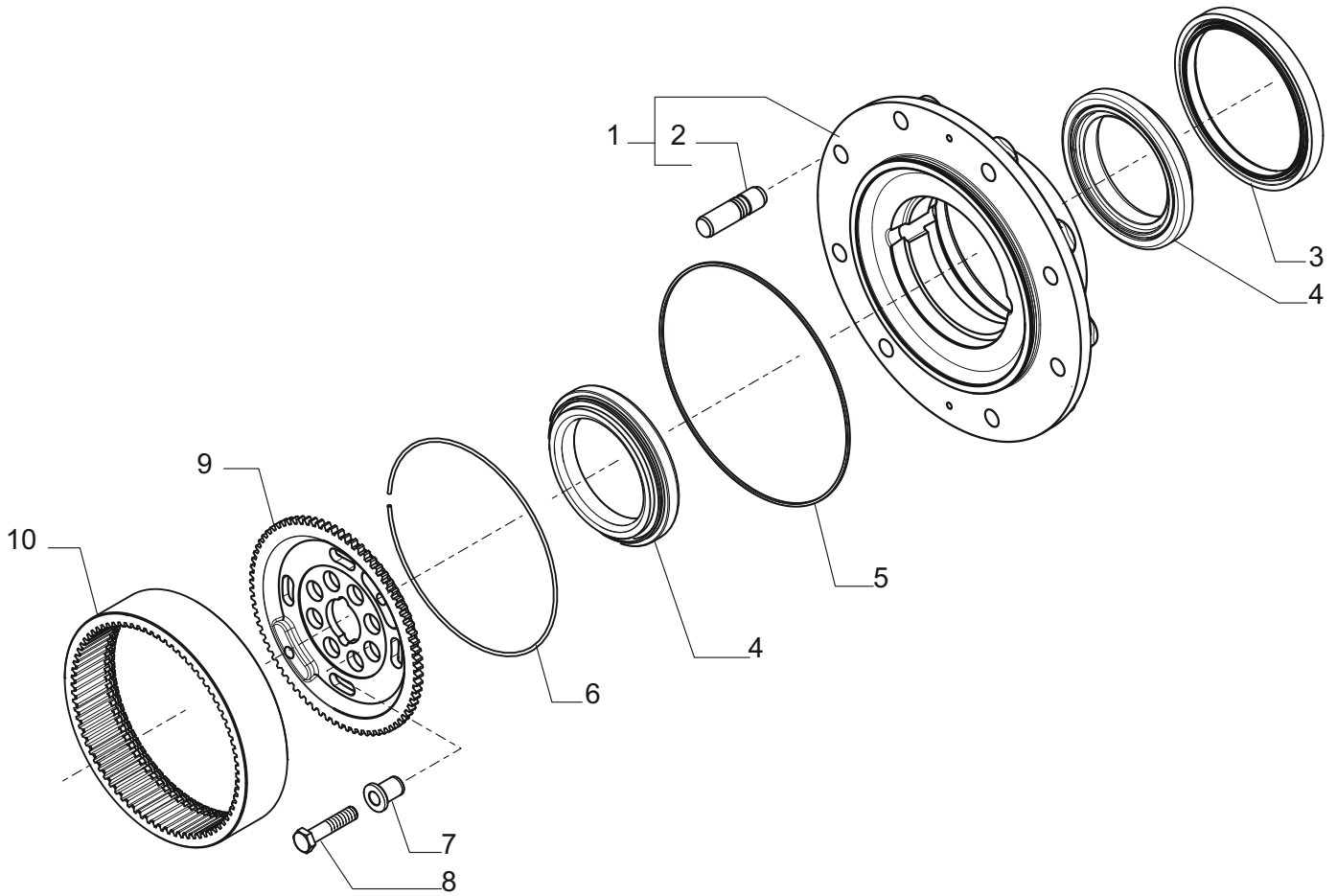


| Pos. | Ref.   | Q.ty | Descrizione           | Description       | Kit    | Note |
|------|--------|------|-----------------------|-------------------|--------|------|
| 1    | 339199 | 2    | Doppio giunto         | Double joint      |        |      |
| 2    | 48296  | 2    | Forcella (lato diff.) | Fork (diff. side) | 339199 |      |
| 3    | 46279  | 2    | Corpo centrale        | Central body      | 339199 |      |
| 4    | 40837  | 4    | Crociera              | Spider            | 339199 |      |
| 5    | 48295  | 2    | Forcella (lato ruota) | Fork (wheel side) | 339199 |      |
| 6    | 145553 | 2    | Ralla                 | Thrust washer     |        |      |
| 7    | 146944 | 2    | Rondella              | Washer            |        |      |
| 8    | 143597 | 2    | Anello seeger         | Snap ring         |        |      |
|      |        |      |                       |                   |        |      |
|      |        |      |                       |                   |        |      |
|      |        |      |                       |                   |        |      |
|      |        |      |                       |                   |        |      |
|      |        |      |                       |                   |        |      |
|      |        |      |                       |                   |        |      |
|      |        |      |                       |                   |        |      |
|      |        |      |                       |                   |        |      |
|      |        |      |                       |                   |        |      |
|      |        |      |                       |                   |        |      |
|      |        |      |                       |                   |        |      |
|      |        |      |                       |                   |        |      |
|      |        |      |                       |                   |        |      |
|      |        |      |                       |                   |        |      |
|      |        |      |                       |                   |        |      |
|      |        |      |                       |                   |        |      |
|      |        |      |                       |                   |        |      |
|      |        |      |                       |                   |        |      |
|      |        |      |                       |                   |        |      |
|      |        |      |                       |                   |        |      |

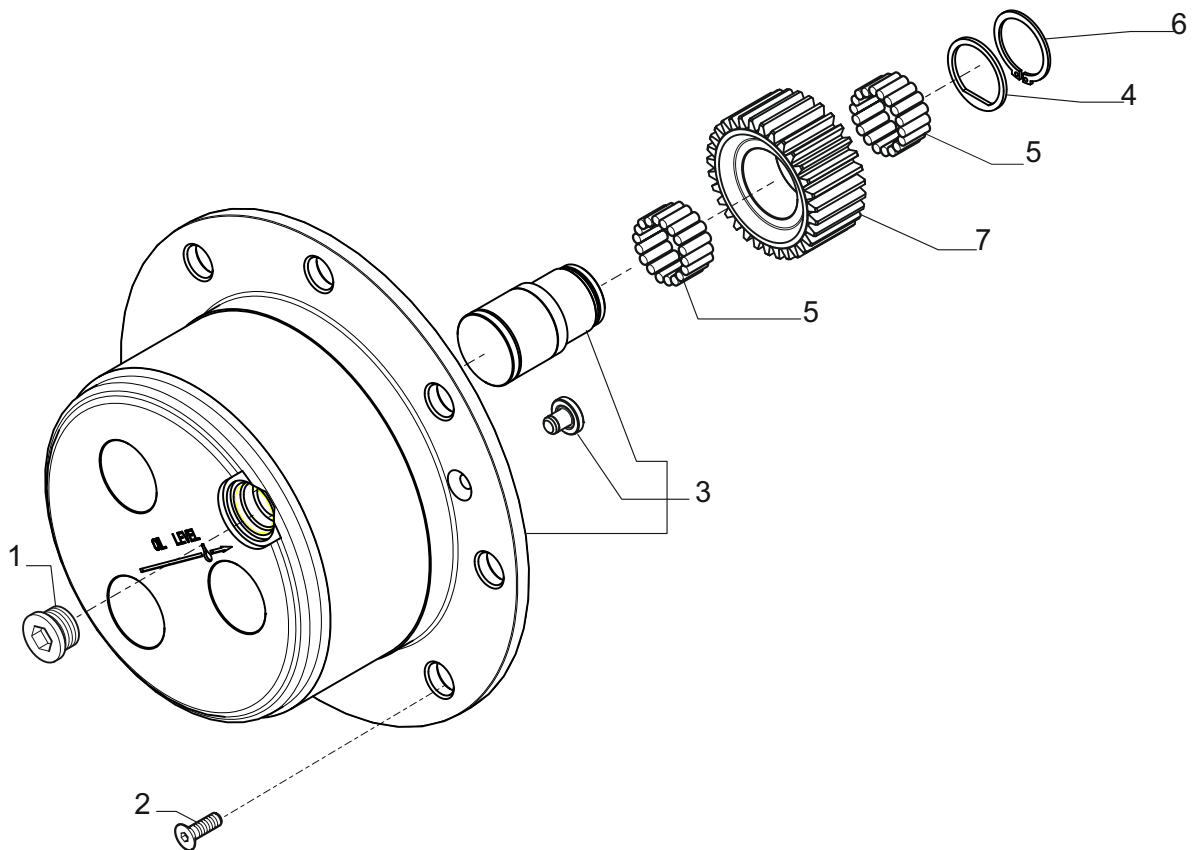


| Pos. | Ref.   | Q.ty | Descrizione            | Description           | Kit | Note |
|------|--------|------|------------------------|-----------------------|-----|------|
| 1    | 136155 | 6    | Controdisco freno      | Brake counter disc    |     |      |
| 2    | 143874 | 6    | Disco freno            | Brake disc            |     |      |
| 3    | 136644 | 2    | Controdisco freno      | Brake counter disc    |     |      |
| 4    | 136648 | 2    | Manicotto traino       | Hub                   |     |      |
| 5    | 066573 | 2    | Kit self-adjust        | Self-adjust kit       |     |      |
| 6    | 141939 | 2    | Anello OR              | O.ring                |     |      |
| 7    | 141937 | 2    | Anello OR              | O.ring                |     |      |
| 8    | 135966 | 2    | Pistone freno positivo | Positive brake piston |     |      |
|      |        |      |                        |                       |     |      |
|      |        |      |                        |                       |     |      |
|      |        |      |                        |                       |     |      |
|      |        |      |                        |                       |     |      |
|      |        |      |                        |                       |     |      |
|      |        |      |                        |                       |     |      |
|      |        |      |                        |                       |     |      |
|      |        |      |                        |                       |     |      |
|      |        |      |                        |                       |     |      |
|      |        |      |                        |                       |     |      |
|      |        |      |                        |                       |     |      |
|      |        |      |                        |                       |     |      |
|      |        |      |                        |                       |     |      |
|      |        |      |                        |                       |     |      |
|      |        |      |                        |                       |     |      |
|      |        |      |                        |                       |     |      |
|      |        |      |                        |                       |     |      |

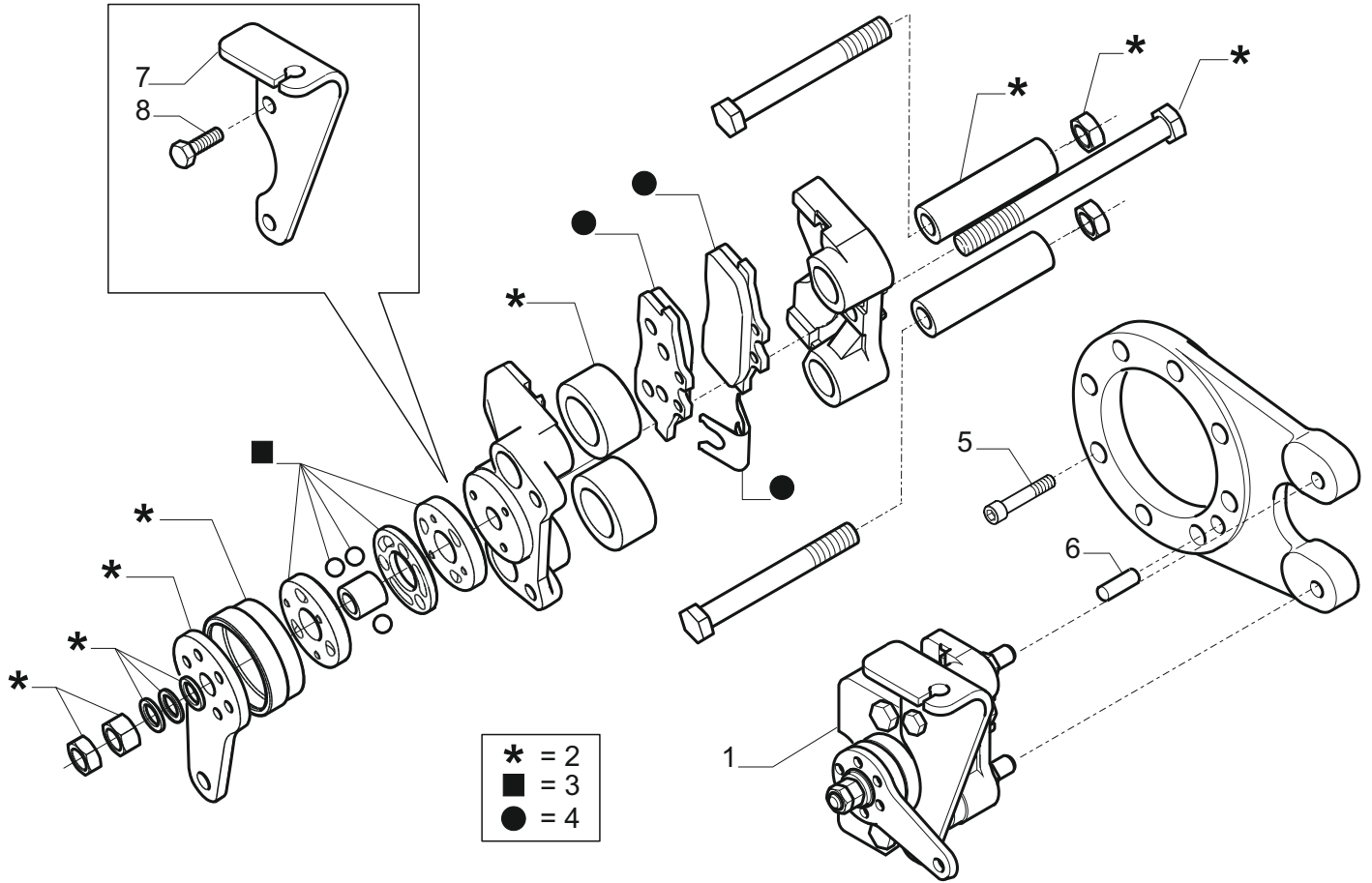




| Pos. | Ref.   | Q.ty | Descrizione           | Description     | Kit    | Note |
|------|--------|------|-----------------------|-----------------|--------|------|
| 1    | 068549 | 2    | Kit mozzo ruota       | Wheel hub kit   |        |      |
| 2    | 147720 | 16   | Prigioniero           | Stud            | 068549 |      |
| 3    | 148307 | 2    | Anello di tenuta      | Seal ring       |        |      |
| 4    | 118370 | 4    | Cuscinetto            | Bearing         |        |      |
| 5    | 028575 | 2    | Anello OR             | O.ring          |        |      |
| 6    | 125344 | 2    | Anello                | Ring            |        |      |
| 7    | 125190 | 16   | Bussola di centraggio | Centering bush  |        |      |
| 8    | 119906 | 16   | Vite M14x65           | Bolt M14x65     |        |      |
| 9    | 134298 | 2    | Mozzo fermo corona    | Wheel carrier   |        |      |
| 10   | 149776 | 2    | Corona Z=60           | Crown gear Z=60 |        |      |
|      |        |      |                       |                 |        |      |
|      |        |      |                       |                 |        |      |
|      |        |      |                       |                 |        |      |
|      |        |      |                       |                 |        |      |
|      |        |      |                       |                 |        |      |
|      |        |      |                       |                 |        |      |
|      |        |      |                       |                 |        |      |
|      |        |      |                       |                 |        |      |
|      |        |      |                       |                 |        |      |
|      |        |      |                       |                 |        |      |
|      |        |      |                       |                 |        |      |
|      |        |      |                       |                 |        |      |
|      |        |      |                       |                 |        |      |
|      |        |      |                       |                 |        |      |
|      |        |      |                       |                 |        |      |
|      |        |      |                       |                 |        |      |
|      |        |      |                       |                 |        |      |
|      |        |      |                       |                 |        |      |
|      |        |      |                       |                 |        |      |
|      |        |      |                       |                 |        |      |
|      |        |      |                       |                 |        |      |



| Pos. | Ref.   | Q.ty | Descrizione              | Description               | Kit | Note |
|------|--------|------|--------------------------|---------------------------|-----|------|
| 1    | 125280 | 2    | Tappo M30x2              | Plug M30x2                |     |      |
| 2    | 020490 | 4    | Vite M8x20               | Bolt M8x20                |     |      |
| 3    | 066750 | 2    | Kit treno portasatelliti | Planetary carrier assy    |     |      |
| 4    | 135366 | 6    | Ralla                    | Thrust washer             |     |      |
| 5    | 028370 | 33.6 | Rullini (a decine)       | Needle bearings (by tens) |     |      |
| 6    | 024793 | 6    | Anello seeger            | Snap ring                 |     |      |
| 7    | 135947 | 6    | Ingranaggio Z23          | Gear Z23                  |     |      |
|      |        |      |                          |                           |     |      |
|      |        |      |                          |                           |     |      |
|      |        |      |                          |                           |     |      |
|      |        |      |                          |                           |     |      |
|      |        |      |                          |                           |     |      |
|      |        |      |                          |                           |     |      |
|      |        |      |                          |                           |     |      |
|      |        |      |                          |                           |     |      |
|      |        |      |                          |                           |     |      |
|      |        |      |                          |                           |     |      |
|      |        |      |                          |                           |     |      |
|      |        |      |                          |                           |     |      |
|      |        |      |                          |                           |     |      |
|      |        |      |                          |                           |     |      |
|      |        |      |                          |                           |     |      |
|      |        |      |                          |                           |     |      |
|      |        |      |                          |                           |     |      |



| Pos. | Ref.   | Q.ty | Descrizione           | Description      | Kit    | Note |
|------|--------|------|-----------------------|------------------|--------|------|
| 1    | 359146 | 1    | Pinza freno           | Brake caliper    |        |      |
| 2    | 048761 | 1    | Kit riparazione camme | Cam repair kit   | 359146 |      |
| 3    | 048871 | 1    | Kit riparazione freno | Brake repair kit | 359146 |      |
| 4    | 048872 | 1    | Kit pastiglie         | Pad kit          | 359146 |      |
| 5    | 021368 | 8    | Vite M12x35           | Bolt M12x35      |        |      |
| 6    | 121710 | 1    | Spina D12x25          | Pin D12x25       |        |      |
| 7    | 359096 | 1    | Supporto              | Support          |        |      |
| 8    | 021477 | 2    | Vite                  | Bolt             |        |      |
|      |        |      |                       |                  |        |      |
|      |        |      |                       |                  |        |      |
|      |        |      |                       |                  |        |      |
|      |        |      |                       |                  |        |      |
|      |        |      |                       |                  |        |      |
|      |        |      |                       |                  |        |      |
|      |        |      |                       |                  |        |      |
|      |        |      |                       |                  |        |      |
|      |        |      |                       |                  |        |      |
|      |        |      |                       |                  |        |      |
|      |        |      |                       |                  |        |      |
|      |        |      |                       |                  |        |      |
|      |        |      |                       |                  |        |      |
|      |        |      |                       |                  |        |      |
|      |        |      |                       |                  |        |      |
|      |        |      |                       |                  |        |      |
|      |        |      |                       |                  |        |      |