

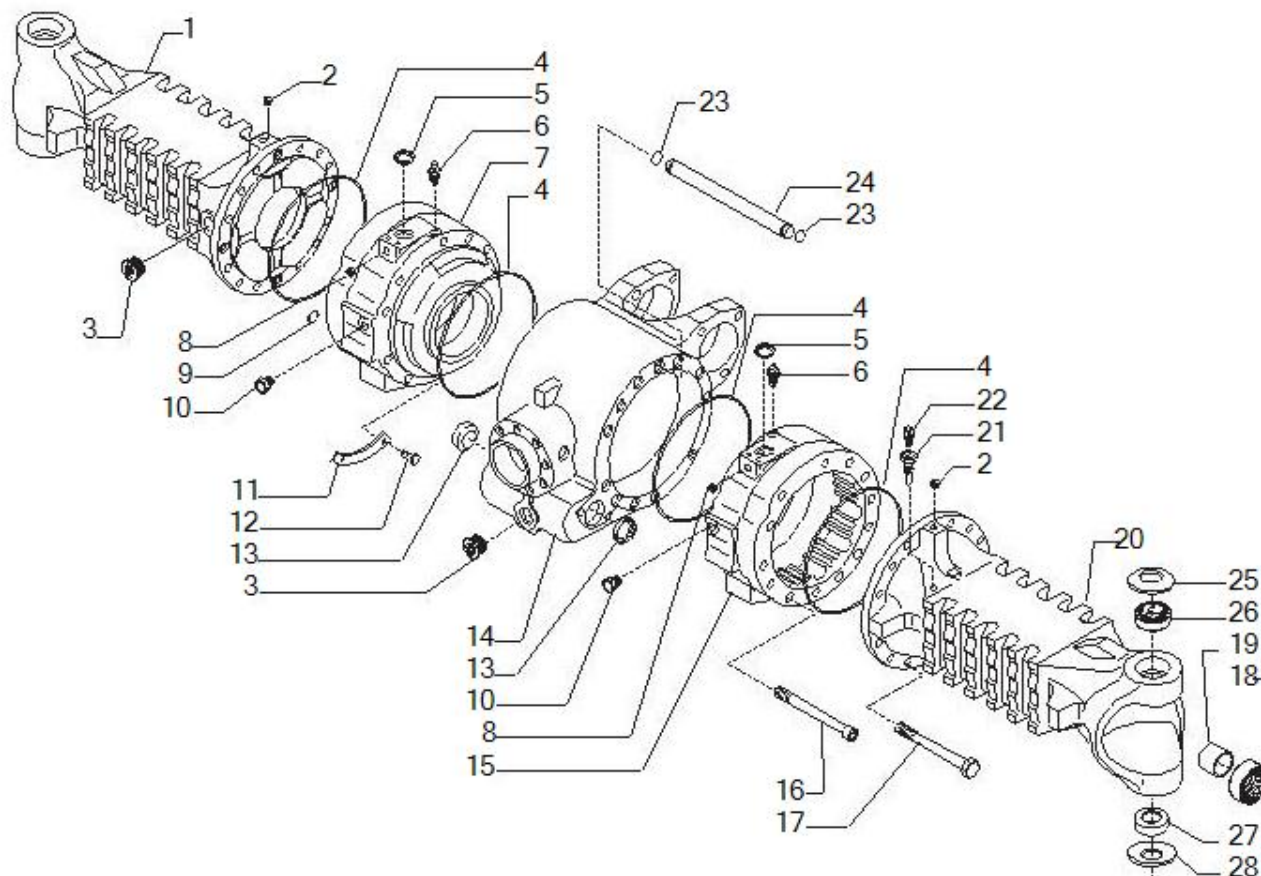


Spare parts catalogue

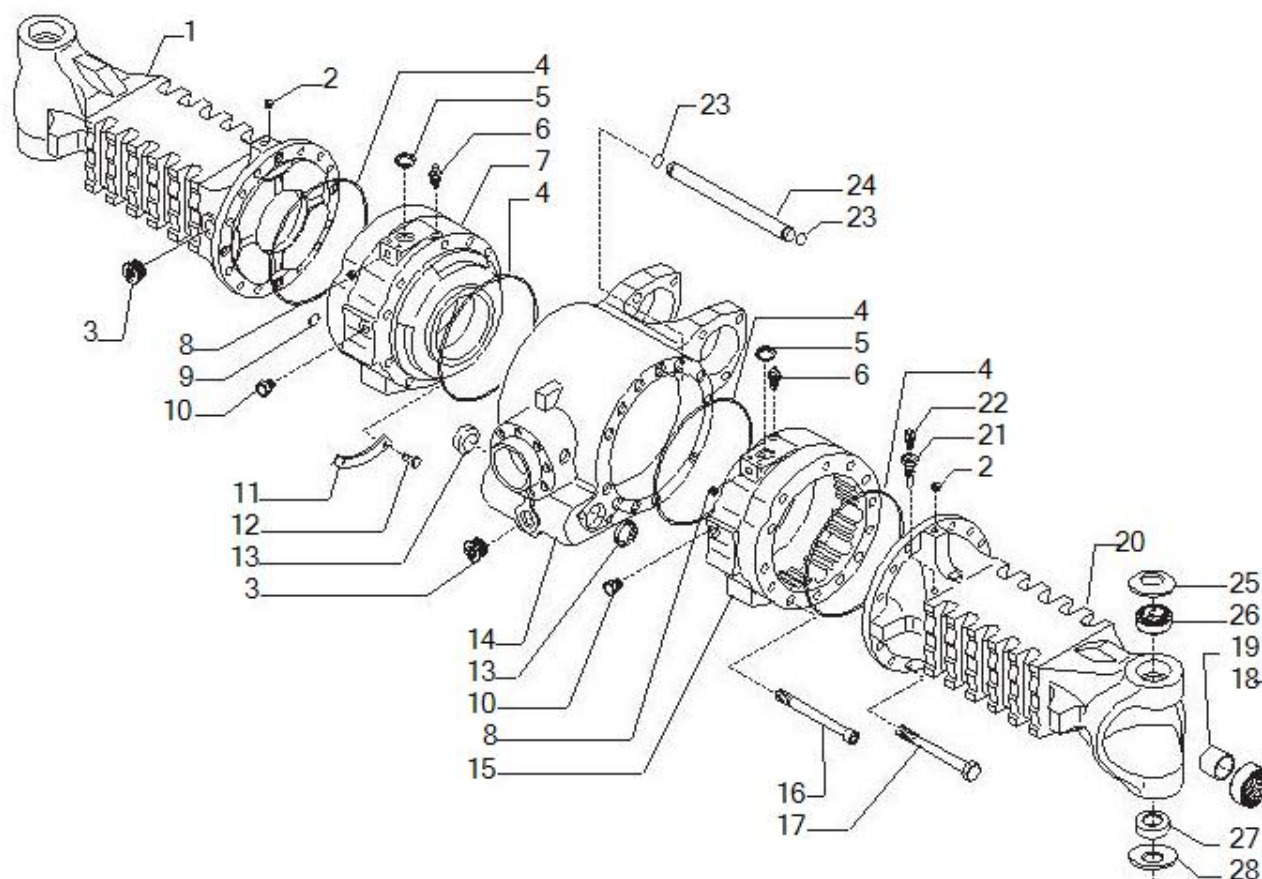
AXLE 26.43M_(CM10291)

REF: 643628

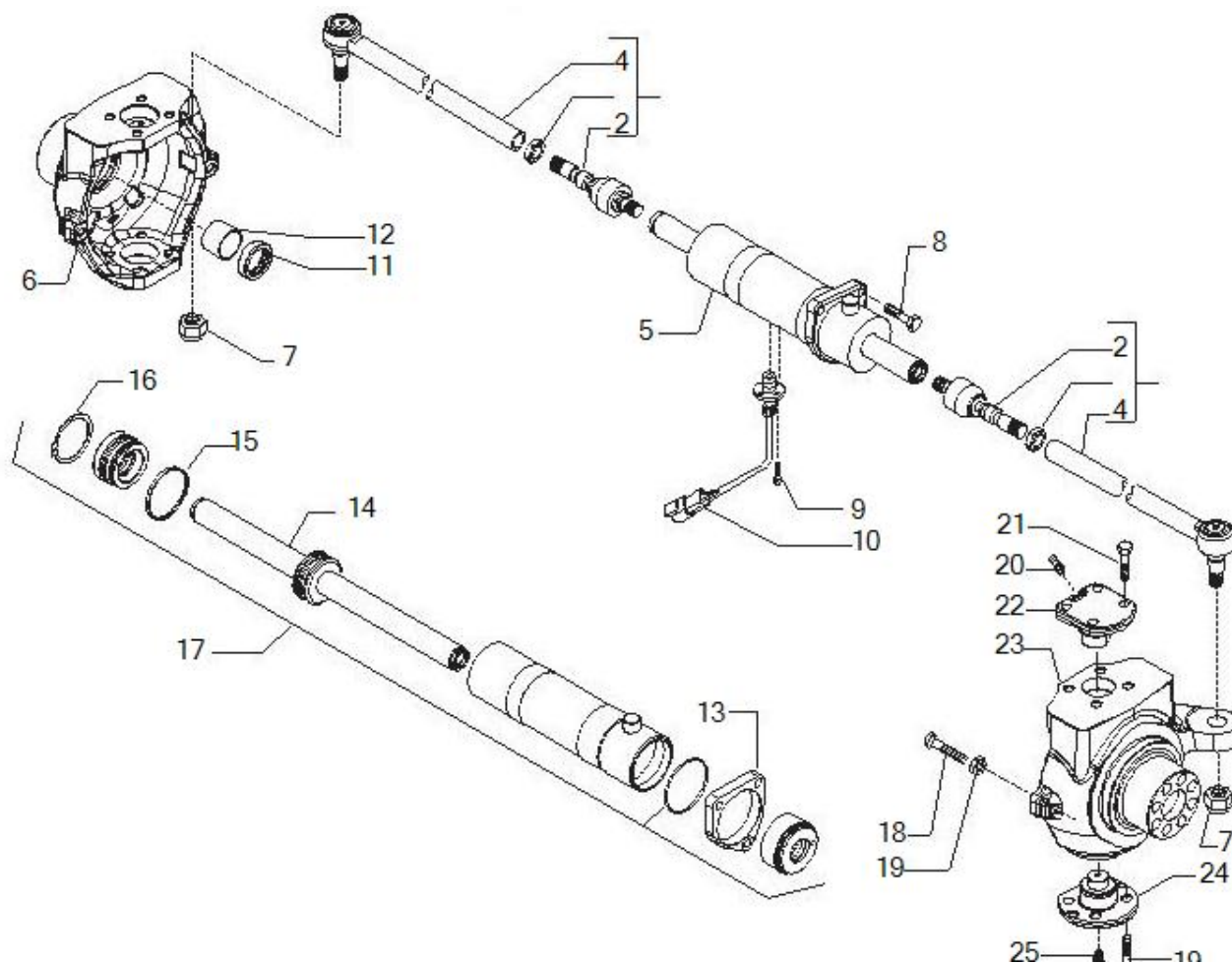
- 1.1 Axle housing**
- 2.1 Swivel housings and steering cylinder**
- 3.1 Bevel gear set**
- 4.1 Differential**
- 5.1 Double U-joint**
- 6.1 Brakes**
- 7.1 Wheel hub**
- 8.1 Final reduction**
- 9.1 Brake caliper**



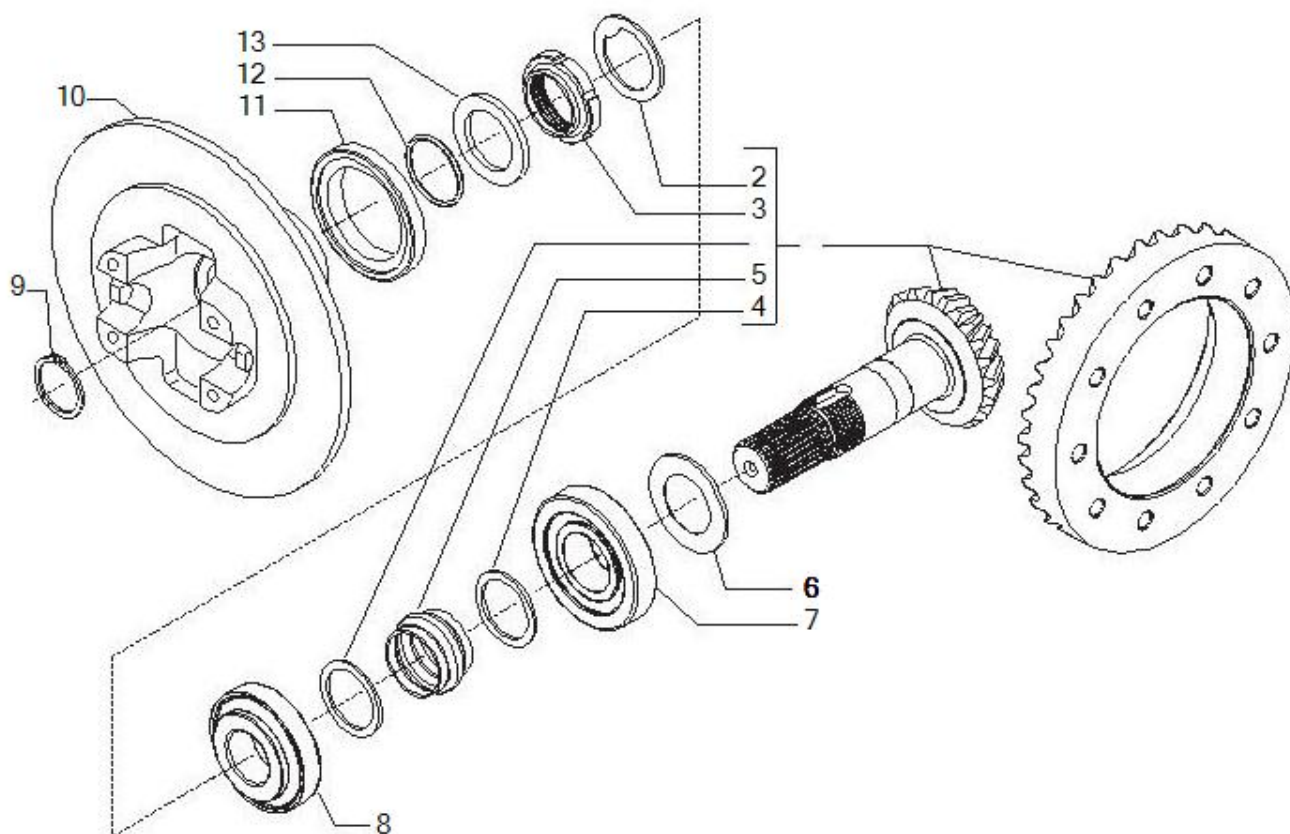
Pos	Ref	Qty	Description	Kit	Note
1	146359	1	BEAM TRUMPET		
2	21558	2	Plug M10x1		
3	125280	2	MAGNETIC PLUG M30X2		
4	28562	4	O.ring		
5	134522	2	PLUG D26X8 LAMIERA FePO2 UNI 5866-77		
6	116792	2	BREATHER M10X1 105.3246.11		
7	141012	1	BRAKE CYLINDER LH (011773)		
8	21580	2	Plug M8x1		
9	28500	8	O.ring		
10	145263	2	PLUG 7/16-20 UNF-SAEJ514		
11	140647	2	PLAQUE CHIUSURA FORO OLIO		
12	23838	4	Rivet 4.8x6		
13	130667	2	PLUG UNI 5866 D42X12 FeP 02		
14	149406	1	BEAM CENTRAL BODY (10498)		
15	141013	1	BRAKE CYLINDER RH (011773)		
16	21314	2	Bolt M12x130		
17	20993	22	Bolt M14x140		
18	126403	2	SEAL RING 40X60X18.5		
19	116962	2	BUSHING AB C 40X44X35 P		
20	149408	1	RH AXLE BEAM SI (11917)		
21	121618	1	OIL VENT PIPE D		
22	104988	1	BREATHER M10X1		
23	28526	2	O.ring		
24	140132	1	TUBE		
25	128632	2	BELLEVILLE WASHER 90x46x2.5		



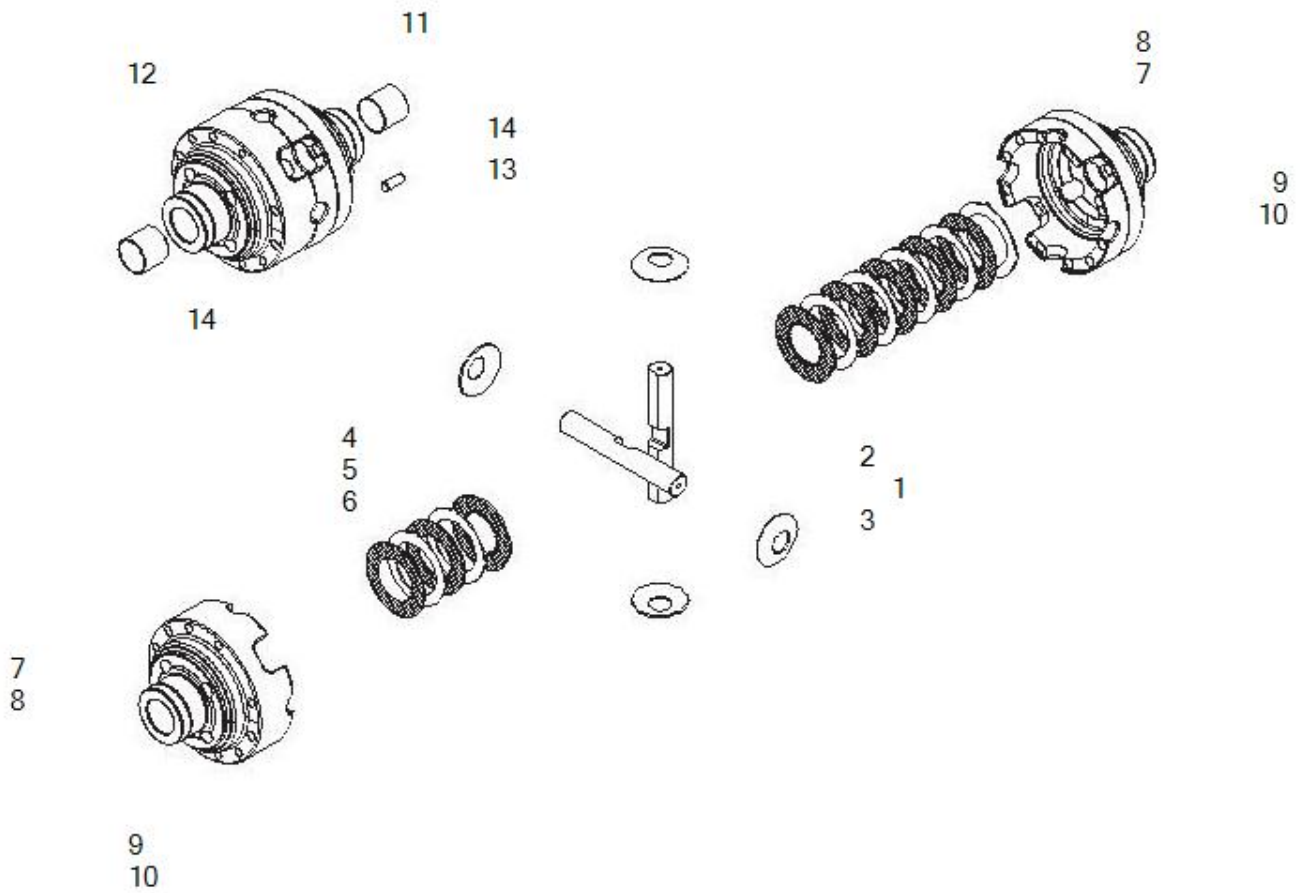
Pos	Ref	Qty	Description	Kit	Note
26	45166	2	KING PIN BUSH 45X62X22		
27	45160	2	Spherical bearing		
28	128631	2	BELLEVILLE WASHER 76x56.5x1		



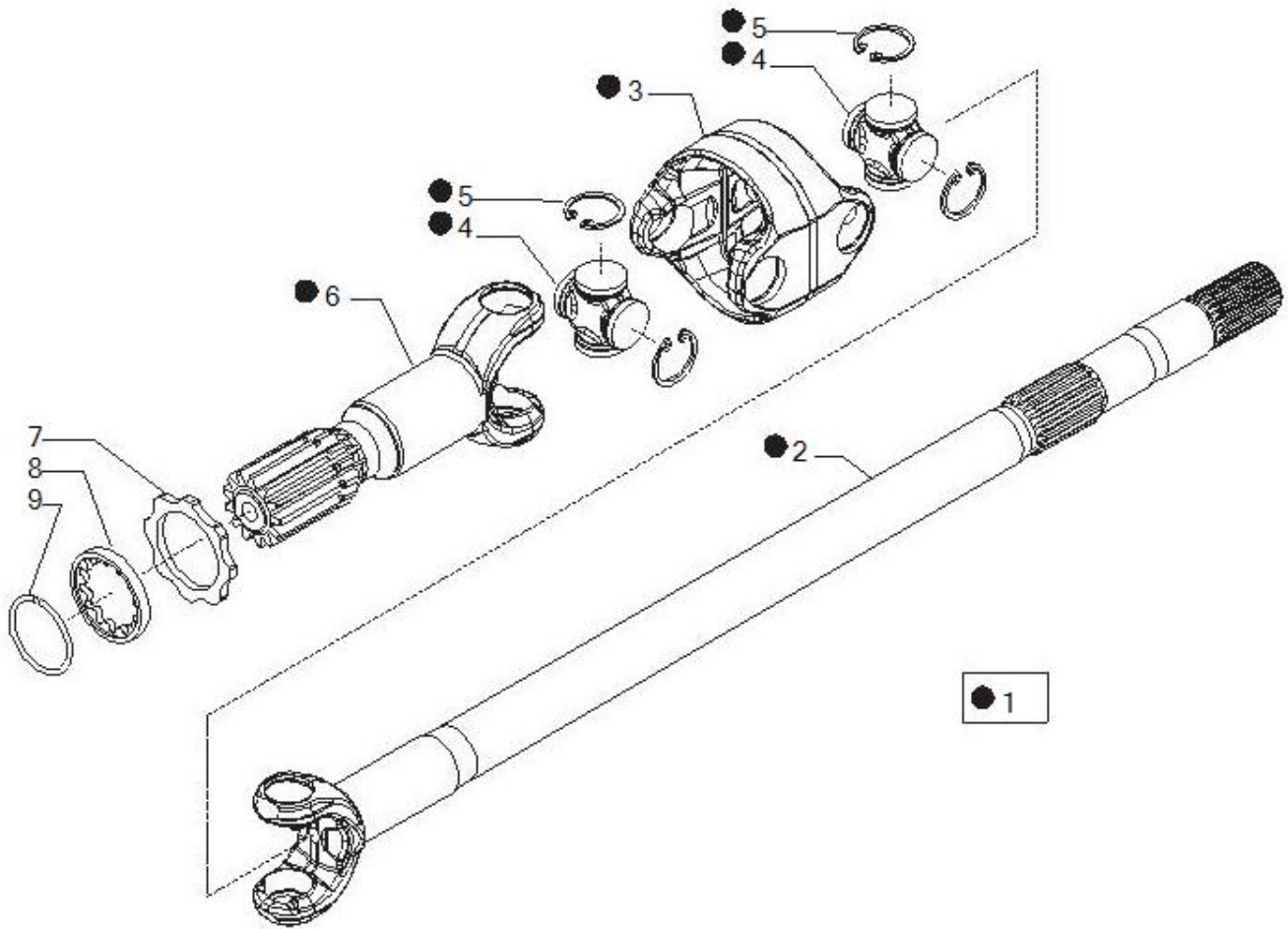
Pos	Ref	Qty	Description	Kit	Note
1	149437	2	STEERING ROD L535		
2	351504	4	BALL JOINT 40/38 RINF.	149437	
3	70787	4	Nut M24x1.5	149437	
4	352565	4	BALL JOINT TIE ROD D35 L4	149437	
5	137177	1	STEERING CYLINDER IN 85-38-200 S		
6	140363	1	SWIVEL HOUSING LH (11918)		
7	22446	2	Nut M24x1.5		
8	128534	3	SELF-LOCKING SCREW M12X45 10.9		
9	21357	3	Bolt M5x10		
10	149929	1	SENSORE MAGN.PNP-N/O L50		
11	140224	2	SEAL RING 48X65X16.5 SF6		
12	125161	2	BUSHING 48X53X40		
13	49138	1	Cylinder head	137177	
14	49074	1	Rod	137177	
15	49314	1	Magnetic ring	137177	
17	49226	1	Oil seal kit	137177	
18	124748	4	HEX HEAD SCREW UNI 5739 M16X100 STEERING		
19	22128	4	Nut M16x2		
20	24210	2	LUBRIFICATING NIPPLES UNI 7663 A M6X16		
21	126923	16	SELF-LOCKING SCREW M16X2X38 10.9 ACCIAIO		
22	130631	2	SWIVEL HOUSING KING PIN (17599)		
23	140364	1	SWIVEL HOUSING RH (11919)		
24	130632	2	SWIVEL HOUSING KING PIN (17596)		
25	24211	2	Greaser nipple M6x1		



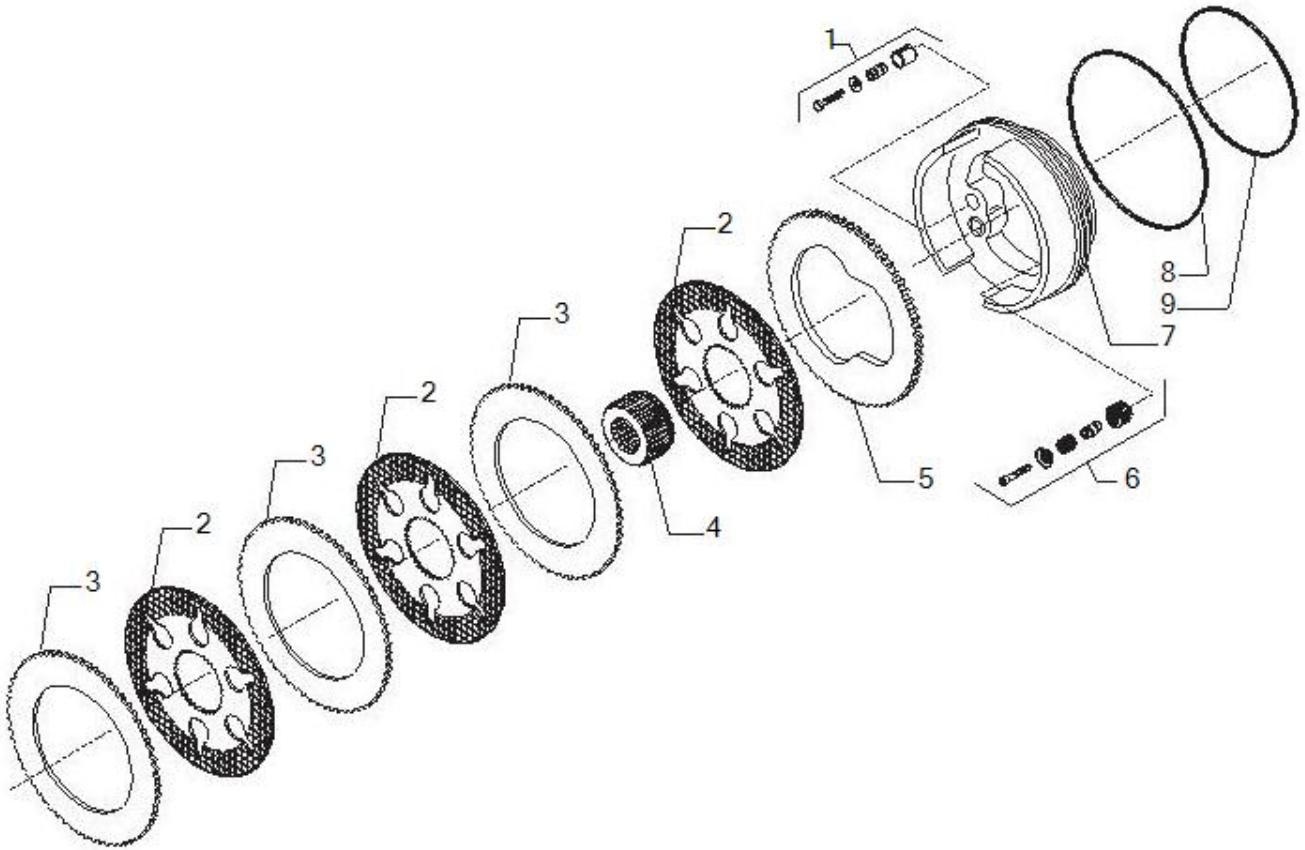
Pos	Ref	Qty	Description	Kit	Note
1	66941	1	Bevelgear/pinion Z=15/37		
2	113717	1	SAFETY WASHER	66941	
3	115054	1	RING NUT M40X1.5	66941	
4	125829	2	THRUST SHOE 40.5X50X2	66941	
5	138692	1	ELASTIC SPACER 45X42X15	66941	
7	27351	1	Bearing		
8	27350	1	Bearing		
9	24789	1	Snap ring		
10	146048	1	BRAKE DISC+FLANGE YOKE 1410 (12790)		
11	145050	1	CASSETTE RAD.SHAFT SEALX/ 65X92X10/15		
12	28532	1	O.ring		
13	123402	1	WASHER C70 UNI 3545-68A NASTRO TEMPRATO		



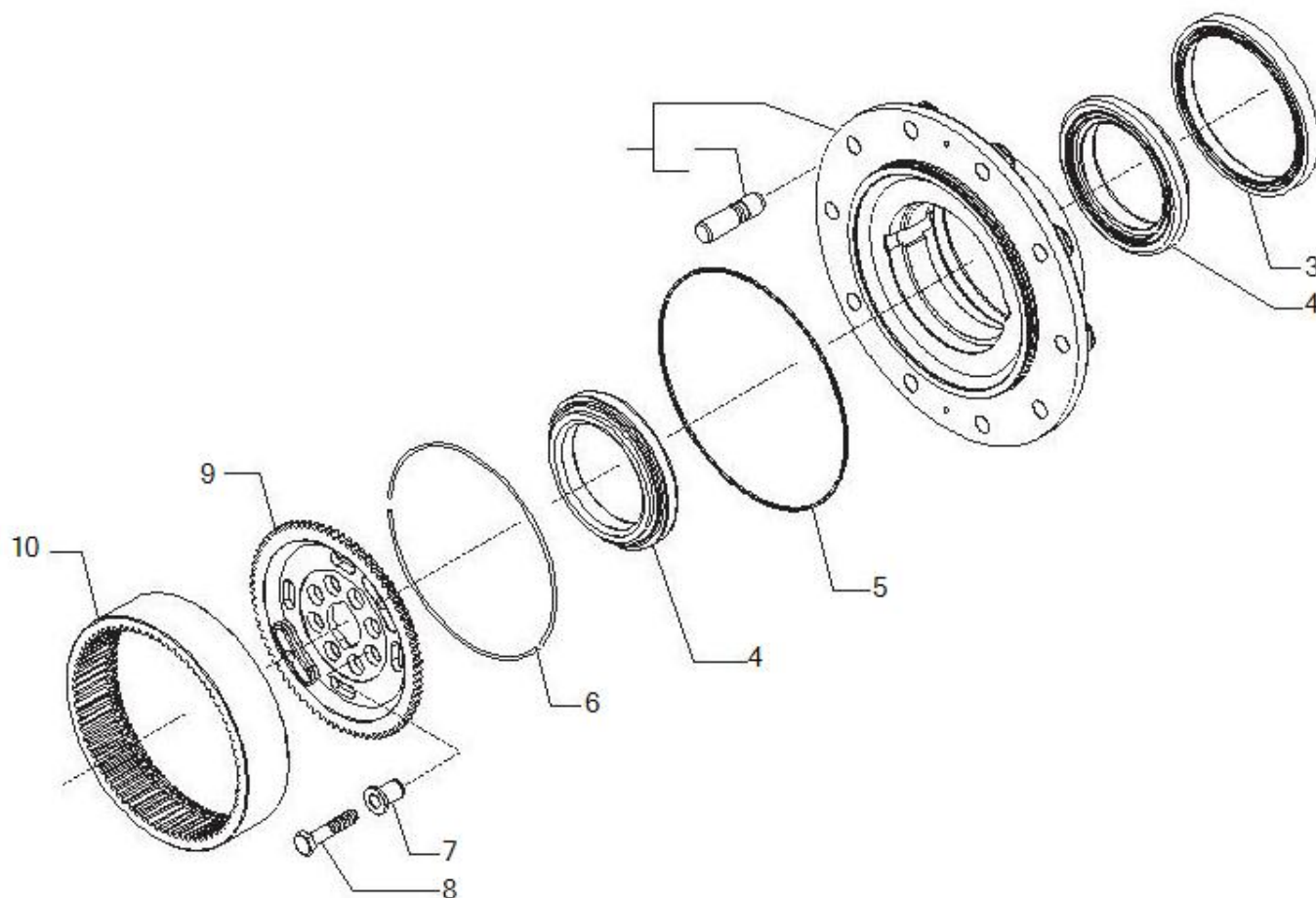
Pos	Ref	Qty	Description	Kit	Note
1	68442	1	Differential kit		
2	133035	2	DIFF.PLANET.GEAR PIN	68442	
3	117171	4	SPHERICAL WASHER 25.22X60	68442	
4	113883	2	DISC BLOC.DIF.		
5	113880	10	COUNTERPLATE BLOCC.DIFF.		
6	113879	8	FRICITION PLATE BLOCC.DIFF.		
7	27367	2	TAPE ROLLER THRUST BEARING 32013X 100X65		
8	125445	2	RING NUT M104X2 (18456)		
9	129118	2	RING NUT STOP		
10	128440	2	SELF-LOCKING SCREW M6X10 10.9		
11	125551	10	SELF-LOCKING SCREW M12X1.75X90 12.9		
12	140478	1	COMPLETE DIFF.HOUSING		
13	117569	1	PARALLEL PIN		
14	131747	2	BUSHING 36X40X35		



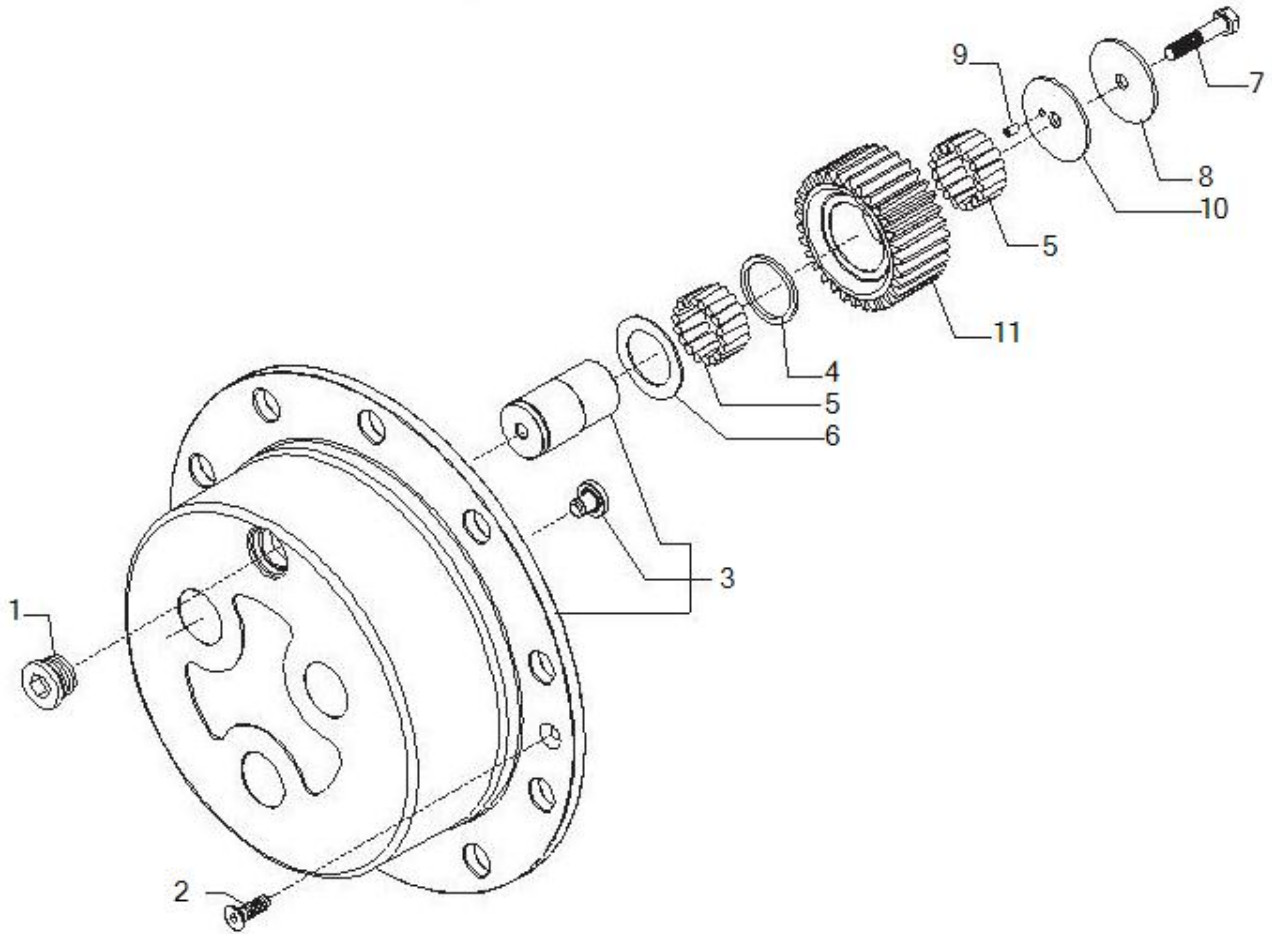
Pos	Ref	Qty	Description	Kit	Note
1	149415	2	DOUBLE U-JOINT B320 55 DFH L717 (GR211.5		
7	147397	2	THRUST SHOE 66X47X5		
8	146945	2	TOOTHED WASHER 47X54X7		
9	147349	2	RING 41.5X3 F3		



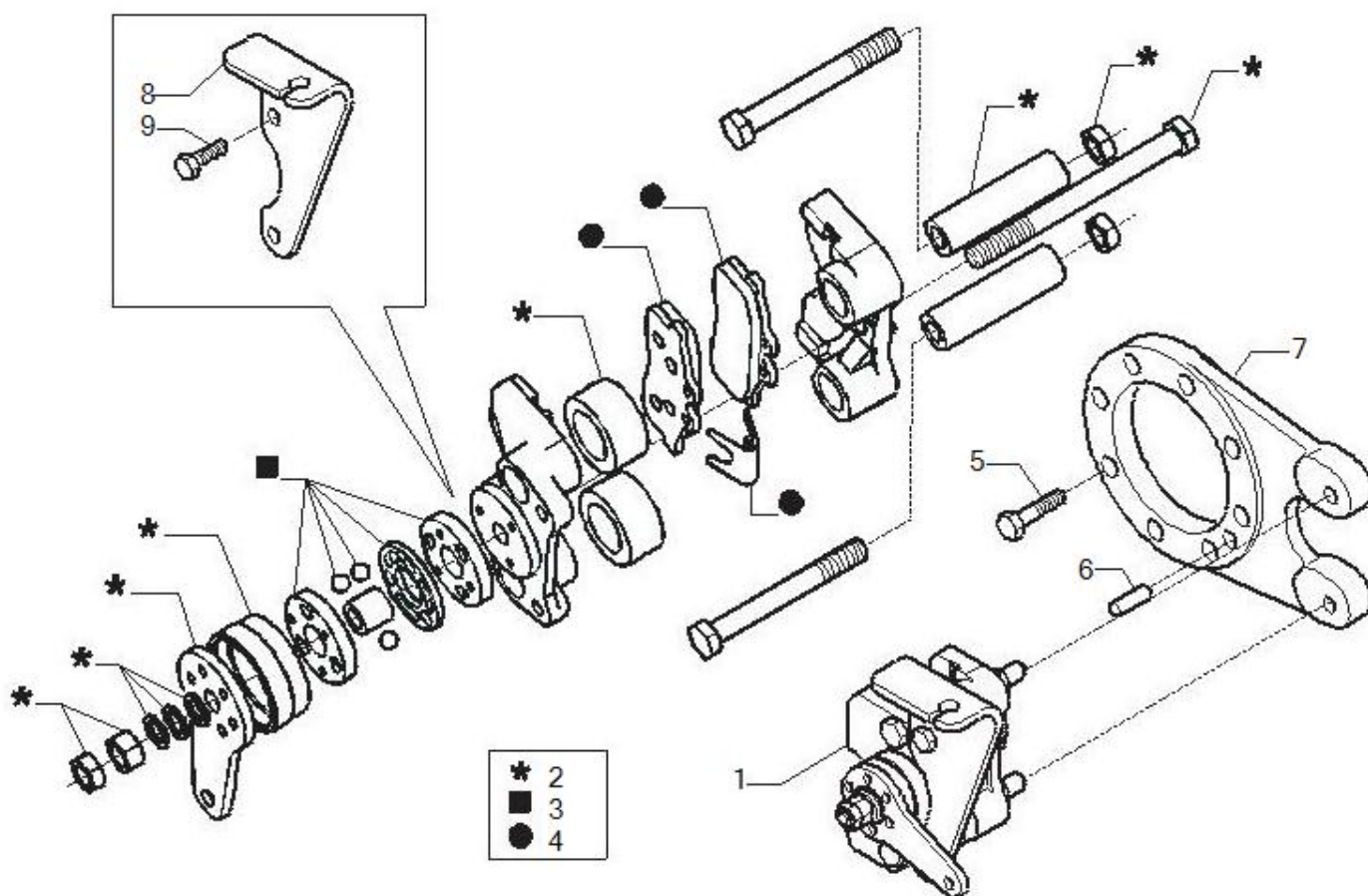
Pos	Ref	Qty	Description	Kit	Note
1	66616	2	Self-adjust kit		
2	143874	6	BRAKE DISC N 611-2		
3	136155	6	COUNTERPLATE Brake		
4	136648	2	DISC TOW SLEEVE		
5	134740	2	COUNTERPLATE Brake (13207)		
6	66748	2	Self-adjust kit		
7	141259	2	BRAKE PISTON (12015)		
8	133757	2	O-RING 209.14x3.53 VITON 90 SHORE		
9	139231	2	O-RING 4675 171.04x3.53 VITON 90 SHORE		



Pos	Ref	Qty	Description	Kit	Note
1	66876	2	Wheel hub assy		
2	116957	20	STUD R22x2.5 - D22x1.5 - L80 - 10.9	66876	
3	140368	2	SEAL RING 165X195X16.5		
4	45182	4	TAPE ROLLER THRUST BEARING 045180		
5	28579	2	O.ring		
6	125233	2	CIRCLIP 238.9X16X3.5		
7	125190	16	CENTERING BUSH		
8	119906	16	SELF-LOCKING SCREW M14X1.5X65 10.9		
9	140376	2	EPIC. WHEEL CARRIER HUB (13245)		
10	139738	2	EPICYCLOIDAL RING GEAR Z77 M3 (13022)		



Pos	Ref	Qty	Description	Kit	Note
1	125280	2	MAGNETIC PLUG M30X2		
2	20490	4	Bolt		
3	66570	2	Planetary carrier kit		
4	138778	6	FIFTH WHEEL 52X45.2X2		
5	28301	37.20	Needle bearings (by tens)		
6	138689	6	FIFTH WHEEL 44.7X65X1.5		
7	125229	6	SELF-LOCKING SCREW M10X1.25X50 10.9		
8	138691	6	WASHER 11X65X3		
9	28370	0.60	Bearing needles (by tens)		
10	138690	6	WASHER 11X65X3		
11	138736	6	EPIC.PLANETARY GEAR Z31 M3 L53		



Pos	Ref	Qty	Description	Kit	Note
1	149826	1	BRAKE CALIPER		
2	48645	1	Brake repair kit	149826	
3	49465	1	Cam repair kit	149826	
4	48646	1	Pad kit	149826	
5	21368	8	HEX SOCKET HEAD CAP SCREW UNI 5931 M12X3		
6	121710	1	PARALLEL PIN CARRARO STD N. 0-20-90 12X2		
7	148406	1	FLANGIA PINZA FR. 13129		
8	146374	1	BRACKET CABLE RETENTION		
9	21477	2	Bolt		